

Ferrule - Al 2,5 - 8 BU

3200522

<https://www.phoenixcontact.com/in/products/3200522>



Please be informed that the data shown in this PDF document is generated from our Online Catalog. Please find the complete data in the user documentation. Our General Terms of Use for Downloads are valid.



Ferrule, sleeve length: 8 mm, length: 14 mm, color: blue

Your advantages

- The ferrules with plastic sleeve are made from soft tin-plated electrolytic copper
- The insulation reliability of close connections is increased and the splicing of wires is prevented

Ferrule - AI 2,5 - 8 BU

3200522

<https://www.phoenixcontact.com/in/products/3200522>



Commercial Data

Order Key	3200522
Packing unit	100 pc
Minimum order quantity	100 pc
Sales Key	BH3
Product Key	BH3411
Catalog Page	Page 481 (C-3-2019)
GTIN	4017918094133
Weight per Piece (including packing)	0.151 g
Weight per Piece (excluding packing)	0.151 g
Customs tariff number	85369010
Country of origin	DE

Ferrule - AI 2,5 - 8 BU

3200522

<https://www.phoenixcontact.com/in/products/3200522>

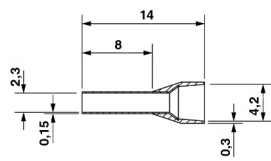
Technical Data

Connection data

Conductor connection

Conductor cross section flexible max.	2.5 mm ²
Conductor cross section AWG max.	14
Stripping length	11 mm

Dimensions

Dimensional drawing	
Length	14 mm
Sleeve length	8 mm
Maximum stripping length	11 mm
Ferrule diameter	2.3 mm
Sleeve wall thickness	0.15 mm
Insulating collar thickness	0.3 mm
Inner dimensions of the insulating collar	4.2 mm

Material specifications

Color	blue
Material	CU-DHP
Flammability rating according to UL 94	HB
Coating	tin-plated (galvanic)
Components	free from silicone and halogen

Mechanical properties

Technical data

Sleeve length	8 mm
---------------	------

Environmental and real-life conditions

Ambient conditions

Permanent temperature	105 °C (-40°C no load / 0°C dynamic load)
Short-term temperature	120 °C

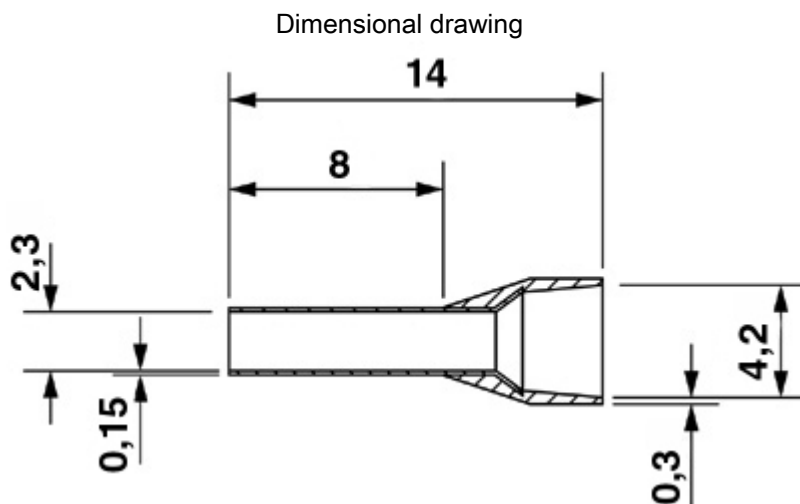
Ferrule - Al 2,5 - 8 BU

3200522

<https://www.phoenixcontact.com/in/products/3200522>



Drawings



Ferrule - Al 2,5 - 8 BU



3200522

<https://www.phoenixcontact.com/in/products/3200522>

Approvals

CSA

UL Listed	Nominal Voltage U_N	Nominal Current I_N	Cross Section AWG	Cross Section mm^2
			-	-

cUL Listed	Nominal Voltage U_N	Nominal Current I_N	Cross Section AWG	Cross Section mm^2
			-	-

CSAus

cULus Listed

cCSAus

Ferrule - AI 2,5 - 8 BU

3200522

<https://www.phoenixcontact.com/in/products/3200522>



Classifications

ECLASS

ECLASS-9.0	27400201
ECLASS-10.0.1	27400201
ECLASS-11.0	27400201

ETIM

ETIM 6.0	EC000005
----------	----------

UNSPSC

UNSPSC 19.0	27121703
UNSPSC 20.0	27121703
UNSPSC 21.0	27121703

Ferrule - AI 2,5 - 8 BU

3200522

<https://www.phoenixcontact.com/in/products/3200522>



Environmental Product Compliance

China RoHS	Environmentally friendly use period: unlimited = EFUP-e
	No hazardous substances above threshold values

Phoenix Contact 2022 © - all rights reserved
<https://www.phoenixcontact.com>

PHOENIX CONTACT (I) Pvt. Ltd.
A-58/2, Okhla Industrial Area, Phase - II, New Delhi-110 020

+91.1275.71420
info@phoenixcontact.co.in

单击下面可查看定价，库存，交付和生命周期等信息

[>>Phoenix Contact \(菲尼克斯\)](#)