

Ferrule - AI 25 -16 YE

3200577

<https://www.phoenixcontact.com/in/products/3200577>



Please be informed that the data shown in this PDF document is generated from our Online Catalog. Please find the complete data in the user documentation. Our General Terms of Use for Downloads are valid.



Ferrule, sleeve length: 16 mm, length: 29 mm, color: yellow

Your advantages

- The ferrules with plastic sleeve are made from soft tin-plated electrolytic copper
- The insulation reliability of close connections is increased and the splicing of wires is prevented
- The AI 0,25.. ferrules can also be used to process 0.14 mm² conductors

Ferrule - AI 25 -16 YE



3200577

<https://www.phoenixcontact.com/in/products/3200577>

Commercial Data

Order Key	3200577
Packing unit	50 pc
Minimum order quantity	50 pc
Sales Key	BH3
Product Key	BH3411
Catalog Page	Page 481 (C-3-2019)
GTIN	4017918094188
Weight per Piece (including packing)	1.208 g
Weight per Piece (excluding packing)	1.208 g
Customs tariff number	85369010
Country of origin	DE

Technical Data

Product properties

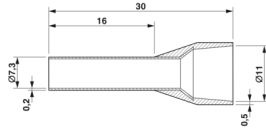
Conductor category	Stranded conductors, class 2, 5, 6 / B, C, K, M
--------------------	---

Connection data

Conductor connection

Conductor cross section flexible max.	25 mm ²
Conductor cross section AWG max.	4
Stripping length	20 mm

Dimensions

Dimensional drawing	
Length	29 mm
Sleeve length	16 mm
Maximum stripping length	20 mm
Ferrule diameter	7.3 mm
Sleeve wall thickness	0.2 mm
Insulating collar thickness	0.5 mm
Inner dimensions of the insulating collar	11 mm

Material specifications

Color	yellow
Material	CU-DHP
Flammability rating according to UL 94	HB
Coating	tin-plated (galvanic)
Components	free from silicone and halogen

Mechanical properties

Technical data

Sleeve length	16 mm
---------------	-------

Environmental and real-life conditions

Ambient conditions

Permanent temperature	105 °C (-40°C no load / 0°C dynamic load)
Short-term temperature	120 °C

Ferrule - AI 25 -16 YE

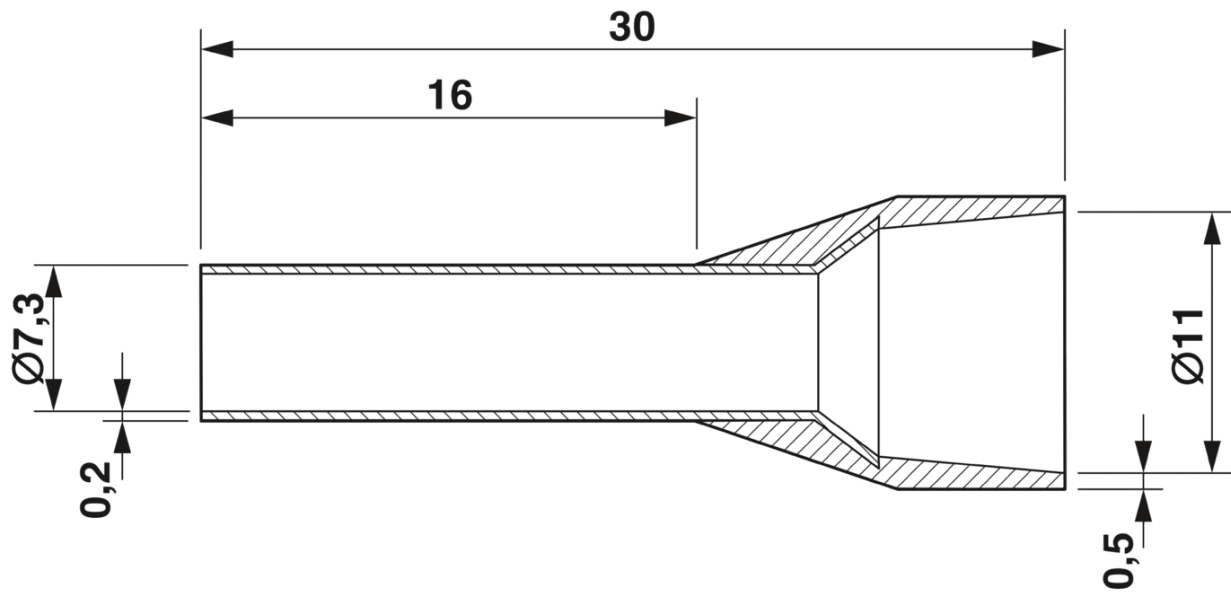
3200577

<https://www.phoenixcontact.com/in/products/3200577>



Drawings

Dimensional drawing



Ferrule - AI 25 -16 YE



3200577

<https://www.phoenixcontact.com/in/products/3200577>

Approvals

CSA

UL Listed

Nominal Voltage U_N

Nominal Current I_N

Cross Section AWG

Cross Section mm^2

-

-

cUL Listed

Nominal Voltage U_N

Nominal Current I_N

Cross Section AWG

Cross Section mm^2

-

-

CSAus

cULus Listed

cCSAus

Ferrule - AI 25 -16 YE



3200577

<https://www.phoenixcontact.com/in/products/3200577>

Classifications

ECLASS

ECLASS-9.0	27400201
ECLASS-10.0.1	27400201
ECLASS-11.0	27400201

ETIM

ETIM 6.0	EC000005
----------	----------

UNSPSC

UNSPSC 19.0	27121703
UNSPSC 20.0	27121703
UNSPSC 21.0	27121703

Ferrule - AI 25 -16 YE



3200577

<https://www.phoenixcontact.com/in/products/3200577>

Environmental Product Compliance

China RoHS	Environmentally friendly use period: unlimited = EFUP-e
	No hazardous substances above threshold values

Phoenix Contact 2022 © - all rights reserved
<https://www.phoenixcontact.com>

PHOENIX CONTACT (I) Pvt. Ltd.
A-58/2, Okhla Industrial Area, Phase - II, New Delhi-110 020

+91.1275.71420
info@phoenixcontact.co.in

单击下面可查看定价，库存，交付和生命周期等信息

[>>Phoenix Contact\(菲尼克斯\)](#)