

# Connector - C-SCFI 6/6,3X0,8



3240056

<https://www.phoenixcontact.com/in/products/3240056>

Please be informed that the data shown in this PDF document is generated from our Online Catalog. Please find the complete data in the user documentation. Our General Terms of Use for Downloads are valid.

---



Slip-on sleeve, yellow, 4 ... 6 mm<sup>2</sup>, 6.3 x 0.8

---

## Your advantages

- Hard-soldered crimping zone for maximum pull-out forces
- Electrolytic tin plating
- Halogen-free
- 'EASY ENTRY' for easy and reliable conductor entry

# Connector - C-SCFI 6/6,3X0,8



3240056

<https://www.phoenixcontact.com/in/products/3240056>

## Commercial Data

Order Key	3240056
Packing unit	50 pc
Minimum order quantity	50 pc
Sales Key	BH3
Product Key	BH3451
Catalog Page	Page 499 (C-3-2019)
GTIN	4046356452748
Weight per Piece (including packing)	1.844 g
Weight per Piece (excluding packing)	1.844 g
Customs tariff number	85366990
Country of origin	CN

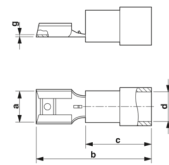
# Connector - C-SCFI 6/6,3X0,8

3240056

<https://www.phoenixcontact.com/in/products/3240056>

## Technical Data

### Dimensions

Dimensional drawing	
Width	6.3 mm
Length	25 mm
Length of the insulating material sleeve	14 mm
Maximum stripping length	9 mm
Min. material thickness	0.4 mm
Inner dimensions of the insulating collar	6.6 mm

### Material specifications

Color	yellow
Material	Brass
Flammability rating according to UL 94	V2
Coating	tin-plated
Insulating material	PA
Components	halogen-free

### Environmental and real-life conditions

#### Ambient conditions

Ambient temperature (operation)	-20 °C ... 105 °C
---------------------------------	-------------------

# Connector - C-SCFI 6/6,3X0,8

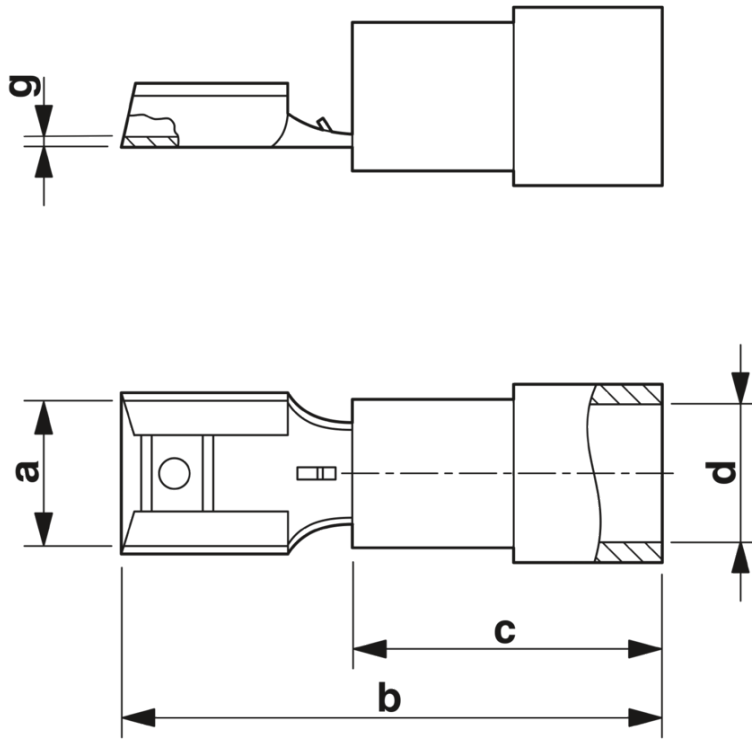
3240056

<https://www.phoenixcontact.com/in/products/3240056>



## Drawings

Dimensional drawing



# Connector - C-SCFI 6/6,3X0,8



3240056

<https://www.phoenixcontact.com/in/products/3240056>

## Classifications

### ECLASS

ECLASS-9.0	27400204
ECLASS-10.0.1	27400204
ECLASS-11.0	27400204

### ETIM

ETIM 6.0	EC001052
----------	----------

### UNSPSC

UNSPSC 19.0	27121707
UNSPSC 20.0	27121707
UNSPSC 21.0	27121707

# Connector - C-SCFI 6/6,3X0,8

3240056

<https://www.phoenixcontact.com/in/products/3240056>



## Environmental Product Compliance

China RoHS	Environmentally friendly use period: unlimited = EFUP-e
	No hazardous substances above threshold values

# Connector - C-SCFI 6/6,3X0,8

3240056

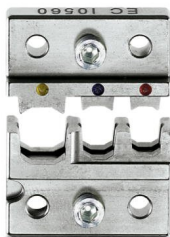
<https://www.phoenixcontact.com/in/products/3240056>



## Accessories

### Replacement die

Replacement die - CF 500/DIE RCI 6 - 1212240



Die for crimping machine CF 500, for insulated cable lugs (C ... RCI... and C ... FCI...) 0.5 ... 6 mm<sup>2</sup>

### Crimping pliers

Crimping pliers - CRIMPFOX-RCI 6 - 1212057



Crimping pliers, for insulated cable lugs, 0.5 mm<sup>2</sup> ... 6.0 mm<sup>2</sup> (red, blue, yellow), oval crimp, symmetrical

# Connector - C-SCFI 6/6,3X0,8

3240056

<https://www.phoenixcontact.com/in/products/3240056>



## Crimping pliers

Crimping pliers - CRIMPFOX-RCI 6-1 - 1212059



Crimping pliers, for insulated cable lugs, 0.5 mm<sup>2</sup> ... 6.0 mm<sup>2</sup> (red, blue, yellow), oval crimp, asymmetrical

## Crimping pliers

Crimping pliers - CRIMPFOX-RCI 6-M - 1212730



Crimping pliers, compact pliers, for symmetrical insulated cable lugs, 0.5 mm<sup>2</sup> ... 6.0 mm<sup>2</sup> (red, blue, yellow), three marked die stations, unlockable pressure lock, lateral entry

Phoenix Contact 2022 © - all rights reserved  
<https://www.phoenixcontact.com>

PHOENIX CONTACT (I) Pvt. Ltd.  
A-58/2, Okhla Industrial Area, Phase - II, New Delhi-110 020

+91.1275.71420  
[info@phoenixcontact.co.in](mailto:info@phoenixcontact.co.in)



单击下面可查看定价，库存，交付和生命周期等信息

[>>Phoenix Contact\(菲尼克斯\)](#)