

Type 2 surge arrester - VAL-MS 230IT/3+1-FM



2858551

<https://www.phoenixcontact.com/in/products/2858551>

Please be informed that the data shown in this PDF document is generated from our Online Catalog. Please find the complete data in the user documentation. Our General Terms of Use for Downloads are valid.



Surge arrester consisting of base element and protective connectors, for mounting on NS 35/7.5, execution: 230 V AC - IT system, 3 + 1 circuit.

Type 2 surge arrester - VAL-MS 230IT/3+1-FM



2858551

<https://www.phoenixcontact.com/in/products/2858551>

Commercial Data

Order Key	2858551
Packing unit	1 pc
Minimum order quantity	1 pc
Sales Key	CL1
Product Key	CL1321
GTIN	4046356099158
Weight per Piece (including packing)	426.4 g
Weight per Piece (excluding packing)	398.36 g
Customs tariff number	85363010
Country of origin	DE

Type 2 surge arrester - VAL-MS 230IT/3+1-FM



2858551

<https://www.phoenixcontact.com/in/products/2858551>

Technical Data

Product properties

IEC test classification	II
	T2
EN type	T2
IEC power supply system	TN-S
	TT
Type	DIN rail module, two-section, divisible
Number of positions	4
Surge protection fault message	Optical, remote indicator contact

Insulation characteristics

Overvoltage category	III
Pollution degree	2

Electrical properties

Nominal frequency f_N	50 Hz (60 Hz)
-------------------------	---------------

Indicator/remote signaling

Connection name	Remote fault indicator contact
Switching function	Changeover contact
Operating voltage	5 V AC ... 250 V AC
	30 V DC
Operating current	5 mA AC ... 750 mA AC
	1 A DC

Connection data

Connection method	Screw connection
Screw thread	M5
Tightening torque	3 Nm (1.5 mm ² ... 16 mm ²)
	4.5 Nm (25 mm ² ... 35 mm ²)
Stripping length	16 mm
Conductor cross section flexible	1.5 mm ² ... 25 mm ²
Conductor cross section solid	1.5 mm ² ... 35 mm ²
Conductor cross section AWG	15 ... 2
Connection method	Fork-type cable lug
Conductor cross section flexible	1.5 mm ² ... 16 mm ²

Dimensions

Type 2 surge arrester - VAL-MS 230IT/3+1-FM



2858551

<https://www.phoenixcontact.com/in/products/2858551>

Dimensional drawing	
Width	71 mm
Width	71 mm
Height	98.7 mm
Height	98.7 mm
Depth	65.7 mm (incl. DIN rail 7.5 mm)
Depth	65.7 mm
Horizontal pitch	4 Div.

Material specifications

Color	jet black RAL 9005
Flammability rating according to UL 94	V-0
CTI value of material	600
Insulating material	PA 6.6/PBT
Material group	I
Housing material	PA 6.6 PBT

Protective circuit

Mode of protection	L-N
	L-PE
	N-PE
Direction of action	3L-N & N-PE
Nominal voltage U_N	240/415 V AC (TN-S)
	240/415 V AC (TT)
Nominal frequency f_N	50 Hz (60 Hz)
Maximum continuous operating voltage U_C (L-N)	385 V AC
Maximum continuous operating voltage U_C (L-PE)	385 V AC
Maximum continuous operating voltage U_C (N-PE)	260 V AC
Rated load current I_L	80 A
Residual current I_{PE}	$\leq 5 \mu A$
Standby power consumption P_C	$\leq 525 \text{ mVA}$
Nominal discharge current I_n (8/20) μs	20 kA
Maximum discharge current I_{max} (8/20) μs	40 kA
Follow current interrupt rating I_{fi} (N-PE)	100 A (260 V)
Short-circuit current rating I_{SCCR}	25 kA
Voltage protection level U_p (L-N)	$\leq 2 \text{ kV}$
Voltage protection level U_p (L-PE)	$\leq 2.2 \text{ kV}$
Voltage protection level U_p (N-PE)	$\leq 1.5 \text{ kV}$ $\leq 2 \text{ kV (at } I_n)$

Type 2 surge arrester - VAL-MS 230IT/3+1-FM



2858551

<https://www.phoenixcontact.com/in/products/2858551>

Residual voltage U_{res} (L-N)	≤ 1.7 kV (at 10 kA)
	≤ 1.5 kV (at 5 kA)
	≤ 1.3 kV (at 3 kA)
Residual voltage U_{res} (L-PE)	≤ 2.2 kV (at I_n)
	≤ 1.7 kV (at 10 kA)
	≤ 1.5 kV (at 5 kA)
Residual voltage U_{res} (N-PE)	≤ 1.4 kV (at 3 kA)
	≤ 0.4 kV (at I_n)
	≤ 0.25 kV (at 10 kA)
TOV behavior at U_T (L-N)	≤ 0.15 kV (at 5 kA)
	≤ 0.1 kV (at 3 kA)
	415 V AC (5 s / withstand mode)
TOV behavior at U_T (N-PE)	440 V AC (120 min / withstand mode)
	1200 V AC (200 ms / withstand mode)
Response time t_A (L-N)	≤ 25 ns
Response time t_A (L-PE)	≤ 100 ns
Response time t_A (N-PE)	≤ 100 ns
Max. backup fuse with V-type through wiring	80 A (gG)
Max. backup fuse with branch wiring	125 A (gG)

Environmental and real-life conditions

Ambient conditions

Degree of protection	IP20 (only when all terminal points are used)
Ambient temperature (operation)	-40 °C ... 80 °C
Ambient temperature (storage/transport)	-40 °C ... 80 °C
Altitude	≤ 2000 m (amsl (above mean sea level))
Permissible humidity (operation)	5 % ... 95 %
Shock (operation)	25g (Half-sine / 11 ms / $3x \pm X, \pm Y, \pm Z$)
Vibration (operation)	5g (10 ... 500 Hz / 2.5 h / X, Y, Z)

Standards and regulations

Standards/specifications	IEC 61643-11
Standards/specifications	EN 61643-11

Mounting

Mounting type	DIN rail: 35 mm
---------------	-----------------

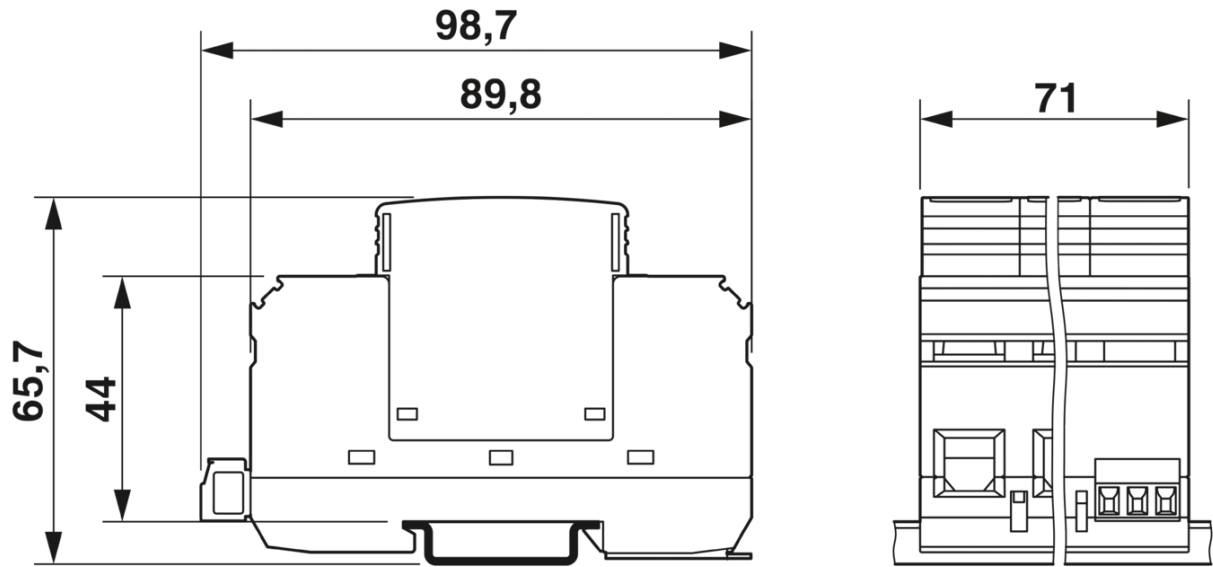
Type 2 surge arrester - VAL-MS 230IT/3+1-FM

2858551

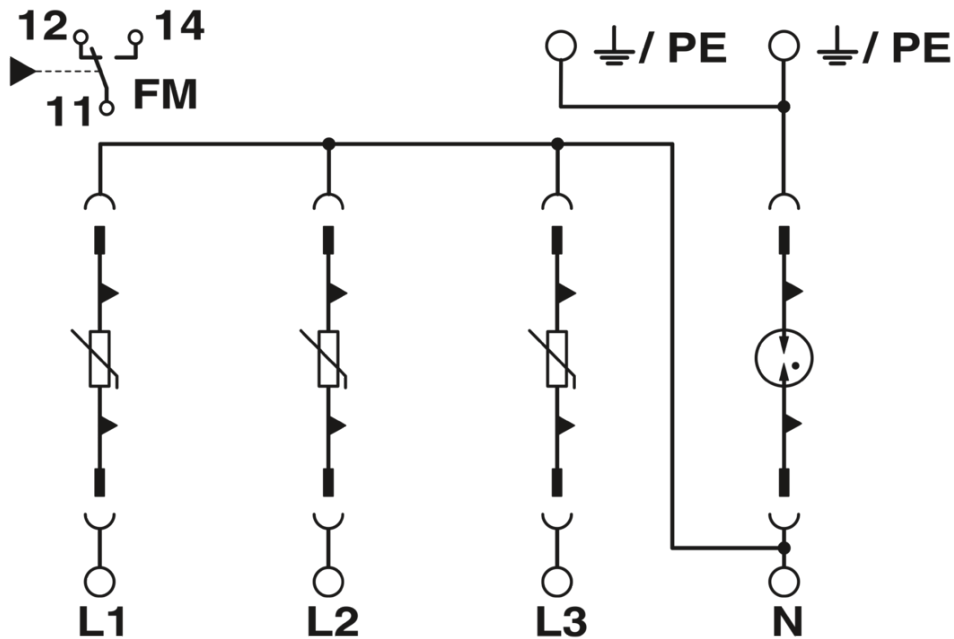
<https://www.phoenixcontact.com/in/products/2858551>

Drawings

Dimensional drawing



Circuit diagram



Type 2 surge arrester - VAL-MS 230IT/3+1-FM



2858551

<https://www.phoenixcontact.com/in/products/2858551>

Approvals

IECEE CB Scheme

EAC

CCA	Nominal Voltage U_N	Nominal Current I_N	Cross Section AWG	Cross Section mm^2
			-	-

DNV GL	Nominal Voltage U_N	Nominal Current I_N	Cross Section AWG	Cross Section mm^2
			-	-

ÖVE

Type 2 surge arrester - VAL-MS 230IT/3+1-FM



2858551

<https://www.phoenixcontact.com/in/products/2858551>

Classifications

ECLASS

ECLASS-9.0	27130805
ECLASS-10.0.1	27130805
ECLASS-11.0	27130805

ETIM

ETIM 6.0	EC000941
----------	----------

UNSPSC

UNSPSC 19.0	39121620
UNSPSC 20.0	39121620
UNSPSC 21.0	39121620

Type 2 surge arrester - VAL-MS 230IT/3+1-FM



2858551

<https://www.phoenixcontact.com/in/products/2858551>

Environmental Product Compliance

China RoHS	Environmentally Friendly Use Period = 50 years For details about hazardous substances go to tab "Downloads", Category "Manufacturer's declaration"
------------	--

Type 2 surge arrester - VAL-MS 230IT/3+1-FM

2858551

<https://www.phoenixcontact.com/in/products/2858551>

Accessories

Wiring bridge

Wiring bridge - MPB 18/4- 8 - 2809283



Wiring bridge for modules with connecting pitch 17.5 mm, 4-phase, 8-pos.

Wiring bridge

Wiring bridge - MPB 18/1-57 - 2809238



Wiring bridge for modules with connecting pitch 17.5 mm, 1-phase, 57-pos.

Type 2 surge arrester - VAL-MS 230IT/3+1-FM

2858551

<https://www.phoenixcontact.com/in/products/2858551>

Wiring bridge

Wiring bridge - MPB 18/1-12 - 2748593



Wiring bridge for modules with connecting pitch 17.5 mm, 1-phase, 12-pos.

Wiring bridge

Wiring bridge - MPB 18/1- 9 - 2748580



Wiring bridge for modules with connecting pitch 17.5 mm, 1-phase, 9-pos.

Type 2 surge arrester - VAL-MS 230IT/3+1-FM

2858551

<https://www.phoenixcontact.com/in/products/2858551>

Wiring bridge

Wiring bridge - MPB 18/1- 8 - 2748577



Wiring bridge for modules with connecting pitch 17.5 mm, 1-phase, 8-pos.

Wiring bridge

Wiring bridge - MPB 18/1- 6 - 2748564



Wiring bridge for modules with connecting pitch 17.5 mm, 1-phase, 6-pos.

Type 2 surge arrester - VAL-MS 230IT/3+1-FM

2858551

<https://www.phoenixcontact.com/in/products/2858551>

Wiring bridge

Wiring bridge - MPB 18/1- 4 - 2809225



Wiring bridge for modules with connecting pitch 17.5 mm, 1-phase, 4-pos.

Wiring bridge

Wiring bridge - MPB 18/1- 3 - 2809212



Wiring bridge for modules with connecting pitch 17.5 mm, 1-phase, 3-pos.

Type 2 surge arrester - VAL-MS 230IT/3+1-FM

2858551

<https://www.phoenixcontact.com/in/products/2858551>

Wiring bridge

Wiring bridge - MPB 18/1- 2 - 2809209



Wiring bridge for modules with connecting pitch 17.5 mm, 1-phase, 2-pos.

Wiring bridge

Wiring bridge - MPB 18/4- 8 - 2809283



Wiring bridge for modules with connecting pitch 17.5 mm, 4-phase, 8-pos.

Type 2 surge arrester - VAL-MS 230IT/3+1-FM

2858551

<https://www.phoenixcontact.com/in/products/2858551>



Feed-through terminal block

Feed-through terminal block - DK-BIC-35 - 2749880

Feed-through terminal block for VAL and FLT applications



Marker pen

Marker pen - B-STIFT - 1051993

Marker pen, for manual labeling of unprinted Zack strips, smear-proof and waterproof, line thickness 0.5 mm



Type 2 surge arrester - VAL-MS 230IT/3+1-FM

2858551

<https://www.phoenixcontact.com/in/products/2858551>

Zack marker strip

Zack marker strip - ZBN 18:UNBEDRUCKT - 2809128



Zack marker strip, Strip, white, unlabeled, can be labeled with: CMS-P1-PLOTTER, PLOTMARK, mounting type: snap in, for terminal block width: 18 mm, lettering field size: 18 x 5 mm, Number of individual labels: 5

Marker for terminal blocks

Marker for terminal blocks - ZBN 18,LGS:ERDE - 2749589



Marker for terminal blocks, Strip, white, labeled, horizontal: Grounding symbol, mounting type: snap into tall marker groove, for terminal block width: 18 mm, lettering field size: 18 x 5 mm, Number of individual labels: 5

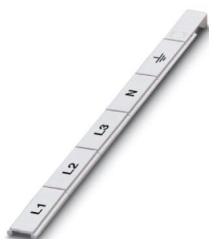
Type 2 surge arrester - VAL-MS 230IT/3+1-FM

2858551

<https://www.phoenixcontact.com/in/products/2858551>

Marker for terminal blocks

Marker for terminal blocks - ZBN 18,LGS:L1-N,ERDE - 2749576



Marker for terminal blocks, Strip, white, labeled, horizontal: L1, L2, L3, N, GND, mounting type: snap into tall marker groove, for terminal block width: 18 mm, lettering field size: 18 x 5 mm, Number of individual labels: 5

Type 2 surge protection plug

Type 2 surge protection plug - VAL-MS 230 IT ST - 2807599



Surge protection connector type 2 with high-capacity varistor for VAL-MS base element, thermal monitoring, visual fault warning. Design: 230 V AC (IT system)

Type 2 surge arrester - VAL-MS 230IT/3+1-FM

2858551

<https://www.phoenixcontact.com/in/products/2858551>



Type 2 surge protection plug

Type 2 surge protection plug - F-MS 12 ST - 2817990



Surge protection plug type 2, with N-PE total current spark gap for base element.

Phoenix Contact 2022 © - all rights reserved
<https://www.phoenixcontact.com>

PHOENIX CONTACT (I) Pvt. Ltd.
A-58/2, Okhla Industrial Area, Phase - II, New Delhi-110 020

+91.1275.71420
info@phoenixcontact.co.in

单击下面可查看定价，库存，交付和生命周期等信息

[>>Phoenix Contact\(菲尼克斯\)](#)