

PCB terminal block - SMKDS 2,5/ 2-5,08



1705469

<https://www.phoenixcontact.com/in/products/1705469>

Please be informed that the data shown in this PDF document is generated from our Online Catalog. Please find the complete data in the user documentation. Our General Terms of Use for Downloads are valid.



PCB terminal block, nominal current: 20 A, rated voltage (III/2): 400 V, nominal cross section: 2.5 mm², number of potentials: 2, number of rows: 1, number of positions per row: 2, product range: SMKDS 2,5, pitch: 5.08 mm, connection method: Screw connection with tension sleeve, screw head form: L Slotted, mounting: Wave soldering, conductor/PCB connection direction: 50 °, color: green, Pin layout: Linear pinning, Solder pin [P]: 3.5 mm, number of solder pins per potential: 1, type of packaging: packed in cardboard

Your advantages

- Well-known connection principle allows worldwide use
- Low temperature rise, thanks to maximum contact force
- Allows connection of two conductors
- Angled connection enables multi-row arrangement on the PCB
- Integrated protective guide prevents incorrect insertion of the conductor underneath the tension sleeve
- The latching on the side enables various numbers of positions to be combined

PCB terminal block - SMKDS 2,5/ 2-5,08



1705469

<https://www.phoenixcontact.com/in/products/1705469>

Commercial Data

Order Key	1705469
Packing unit	50 pc
Minimum order quantity	50 pc
Sales Key	AAA
Product Key	AAMFHE
Catalog Page	Page 103 (C-1-2013)
GTIN	4017918144487
Weight per Piece (including packing)	4.806 g
Weight per Piece (excluding packing)	4.806 g
Customs tariff number	85369010
Country of origin	PL

PCB terminal block - SMKDS 2,5/ 2-5,08



1705469

<https://www.phoenixcontact.com/in/products/1705469>

Technical Data

Product properties

Type	PC terminal block can be aligned
Number of positions	2
Number of connections	2
Number of rows	1
Number of potentials	2
Pin layout	Linear pinning

Electrical properties

Maximum load current	20 A
Rated voltage (II/2)	630 V
Rated voltage (III/2)	400 V
Rated surge voltage (II/2)	4 kV
Rated surge voltage (III/2)	4 kV
Rated surge voltage (III/3)	4 kV
Nominal voltage U_N	250 V
Nominal current I_N	20 A
Nominal current I_N	20 A

Connection data

Connection technology

Type	PC terminal block can be aligned
Nominal cross section	2.5 mm ²

Conductor connection

Connection method	Screw connection with tension sleeve
Conductor cross section solid	0.14 mm ² ... 2.5 mm ²
Conductor cross section flexible	0.14 mm ² ... 2.5 mm ²
Conductor cross section AWG	26 ... 14
Conductor cross section flexible, with ferrule without plastic sleeve	0.25 mm ² ... 2.5 mm ²
Conductor cross section, flexible, with ferrule, with plastic sleeve	0.25 mm ² ... 2.5 mm ²
2 conductors with same cross section, solid	0.14 mm ² ... 0.75 mm ²
2 conductors with same cross section, flexible	0.14 mm ² ... 0.75 mm ²
2 conductors with same cross section, flexible, with ferrule without plastic sleeve	0.25 mm ² ... 0.75 mm ²
2 conductors with the same cross section, flexible, with TWIN ferrule with plastic sleeve	0.5 mm ² ... 1.5 mm ²
Stripping length	11 mm
Torque	0.5 Nm ... 0.6 Nm

Mounting

PCB terminal block - SMKDS 2,5/ 2-5,08



1705469

<https://www.phoenixcontact.com/in/products/1705469>

Drive form screw head	Slotted (L)
Processing notes	
Process	Wave soldering

Material specifications

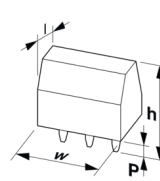
Material data - contact

Note	WEEE/RoHS-compliant, free of whiskers according to IEC 60068-2-82/JEDEC JESD 201
Contact material	Cu alloy
Surface characteristics	Tin-plated
Metal surface terminal point (top layer)	Tin (5 - 7 μm Sn)
Metal surface terminal point (middle layer)	Nickel (2 - 3 μm Ni)
Metal surface soldering area (top layer)	Tin (5 - 7 μm Sn)
Metal surface soldering area (middle layer)	Nickel (2 - 3 μm Ni)

Material data - housing

Housing color	green (6021)
Insulating material	PA
Insulating material group	I
CTI according to IEC 60112	600
Flammability rating according to UL 94	V0
Glow wire flammability index GWFI according to EN 60695-2-12	850
Glow wire ignition temperature GWIT according to EN 60695-2-13	775
Temperature for the ball pressure test according to EN 60695-10-2	125 °C

Dimensions

Dimensional drawing	
Width	10.16 mm
Height	22.9 mm
Installed height	19.4 mm
Length of the solder pin	3.5 mm
Length	14.25 mm
Length of the solder pin	3.5 mm
Pin dimensions	1 x 0.9 mm
Hole diameter	1.4 mm
Pitch	5.08 mm

Electrical tests

PCB terminal block - SMKDS 2,5/ 2-5,08



1705469

<https://www.phoenixcontact.com/in/products/1705469>

Electrical properties

Rated voltage (III/2)	400 V
Rated surge voltage (III/2)	4 kV
Pollution degree	2

Air clearances and creepage distances |

Specification	IEC 60947-1:2007-06 + A1:2010-12 + A2:2014-09
Insulating material group	I
Comparative tracking index (IEC 60112:2003-01)	CTI 600
Rated insulation voltage (III/3)	250 V
Rated surge voltage (III/3)	4 kV
minimum clearance value - non-homogenous field (III/3)	3 mm
minimum creepage distance (III/3)	3.2 mm
Rated insulation voltage (III/2)	400 V
Rated surge voltage (III/2)	4 kV
minimum clearance value - non-homogenous field (III/2)	3 mm
minimum creepage distance (III/2)	3 mm
Rated insulation voltage (II/2)	630 V
Rated surge voltage (II/2)	4 kV
minimum clearance value - non-homogenous field (II/2)	3 mm
minimum creepage distance (II/2)	3.2 mm

Environmental and real-life conditions

Ambient conditions

Ambient temperature (operation)	-40 °C ... 100 °C (dependent on the derating curve)
Ambient temperature (storage/transport)	-40 °C ... 70 °C
Relative humidity (storage/transport)	30 % ... 70 %
Ambient temperature (assembly)	-5 °C ... 100 °C

Packaging specifications

Type of packaging	packed in cardboard
-------------------	---------------------

PCB terminal block - SMKDS 2,5/ 2-5,08

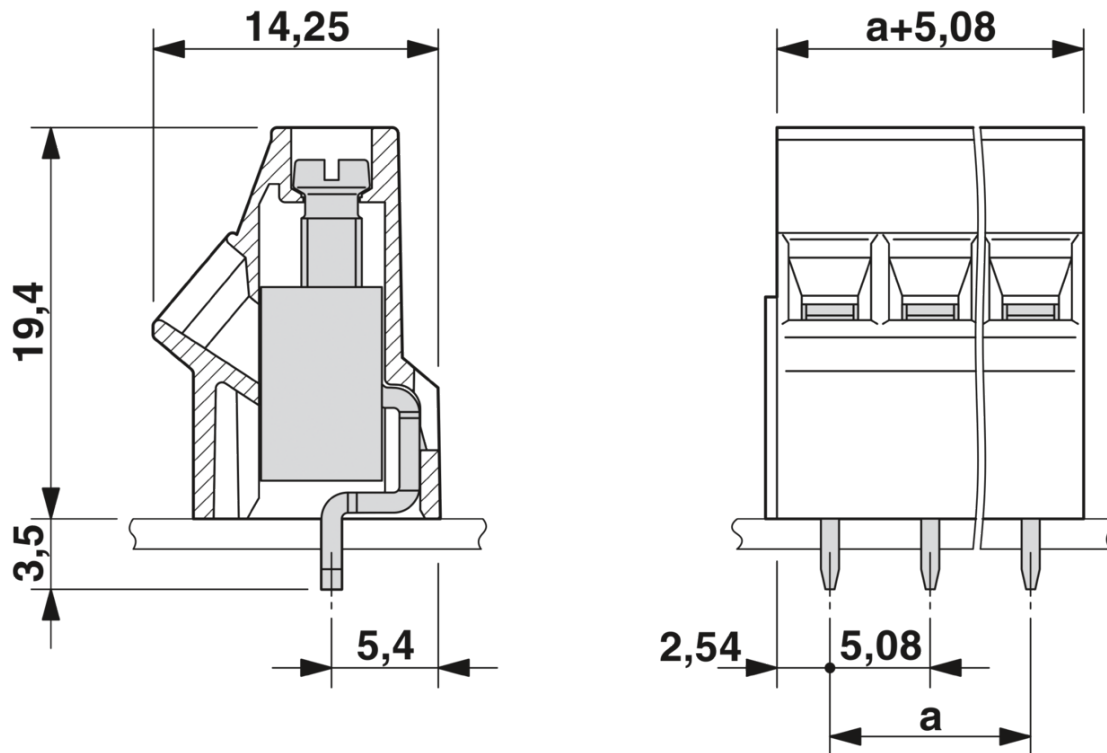


1705469

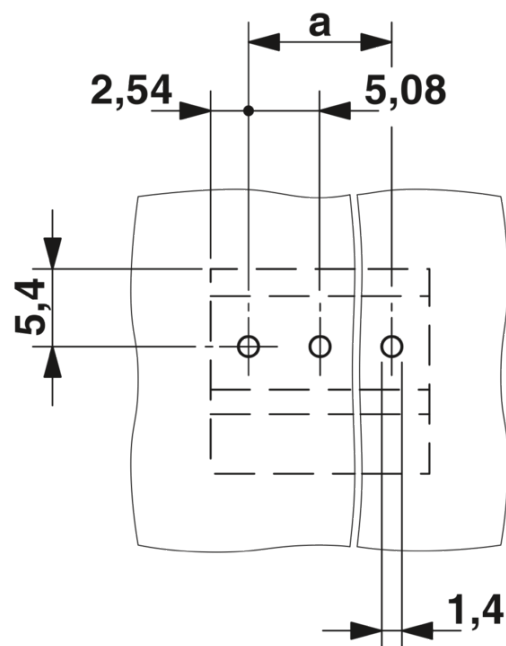
<https://www.phoenixcontact.com/in/products/1705469>

Drawings

Dimensional drawing



Drilling plan/solder pad geometry




PCB terminal block - SMKDS 2,5/ 2-5,08




1705469


<https://www.phoenixcontact.com/in/products/1705469>


Approvals

CSA 	Nominal Voltage U_N	Nominal Current I_N	Cross Section AWG	Cross Section mm^2
Use group B				
	300 V	10 A	28 - 12	-
Use group D				
	300 V	10 A	28 - 12	-

IECEE CB Scheme 	Nominal Voltage U_N	Nominal Current I_N	Cross Section AWG	Cross Section mm^2
	250 V	24 A	-	- 2.5

EAC

cULus Recognized 	Nominal Voltage U_N	Nominal Current I_N	Cross Section AWG	Cross Section mm^2
Use group B				
	300 V	15 A	30 - 12	-
Use group D				
	300 V	10 A	30 - 12	-

SEV 	Nominal Voltage U_N	Nominal Current I_N	Cross Section AWG	Cross Section mm^2
	250 V	24 A	-	- 2.5

PCB terminal block - SMKDS 2,5/ 2-5,08



1705469

<https://www.phoenixcontact.com/in/products/1705469>

Classifications

ECLASS

ECLASS-9.0	27440401
ECLASS-10.0.1	27440401
ECLASS-11.0	27460101

ETIM

ETIM 6.0	EC002643
----------	----------

UNSPSC

UNSPSC 19.0	39121432
UNSPSC 20.0	39121432
UNSPSC 21.0	39121432

PCB terminal block - SMKDS 2,5/ 2-5,08



1705469

<https://www.phoenixcontact.com/in/products/1705469>

Environmental Product Compliance


China RoHS	Environmentally Friendly Use Period = 50 years For details about hazardous substances go to tab "Downloads", Category "Manufacturer's declaration"
------------	--

PCB terminal block - SMKDS 2,5/ 2-5,08

1705469

<https://www.phoenixcontact.com/in/products/1705469>

Accessories

 Note: Applying some accessories below might limit this product.

Screwdriver

Screwdriver - SZS 0,6X3,5 - 1205053



Actuation tool, for ST terminal blocks, insulated, also suitable for use as a bladed screwdriver, size: 0.6 x 3.5 x 100 mm, 2-component grip, with non-slip grip

Marker card

Marker card - SK 5,08/3,8:FORTL.ZAHLEN - 0804293



Marker card, Card, white, labeled, horizontal: consecutive numbers 1 ... 10, 11 ... 20, etc. up to 91 ... (99)100, mounting type: adhesive, for terminal block width: 5.08 mm, lettering field size: 5.08 x 3.8 mm

PCB terminal block - SMKDS 2,5/ 2-5,08

1705469

<https://www.phoenixcontact.com/in/products/1705469>

Marker card

Marker card - SK 5,08/3,8:UNBEDRUCKT - 0805412

Marker card, Card, white, unlabeled, can be labeled with: Marker pen, mounting type: adhesive, for terminal block width: 5.08 mm, lettering field size: 5.08 x 3.8 mm



Marker pen

Marker pen - B-STIFT - 1051993

Marker pen, for manual labeling of unprinted Zack strips, smear-proof and waterproof, line thickness 0.5 mm



PCB terminal block - SMKDS 2,5/ 2-5,08

1705469

<https://www.phoenixcontact.com/in/products/1705469>




Insertion bridge

Insertion bridge - EBP 2- 5 - 1733169

Insertion bridge for connectors with 5.0 mm or 5.08 mm pitch



 Max. current carrying capacity: 12 A

Phoenix Contact 2022 © - all rights reserved
<https://www.phoenixcontact.com>

PHOENIX CONTACT (I) Pvt. Ltd.
A-58/2, Okhla Industrial Area, Phase - II, New Delhi-110 020

+91.1275.71420
info@phoenixcontact.co.in

单击下面可查看定价，库存，交付和生命周期等信息

[>>Phoenix Contact \(菲尼克斯\)](#)