

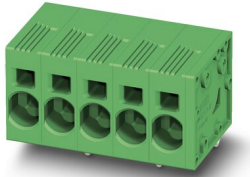
PCB terminal block - SPT 5/ 5-H-7,5-ZB



1719228

<https://www.phoenixcontact.com/in/products/1719228>

Please be informed that the data shown in this PDF document is generated from our Online Catalog. Please find the complete data in the user documentation. Our General Terms of Use for Downloads are valid.



PCB terminal block, nominal current: 41 A, rated voltage (III/2): 1000 V, nominal cross section: 6 mm², number of potentials: 5, number of rows: 1, number of positions per row: 5, product range: SPT 5/...-H, pitch: 7.5 mm, connection method: Push-in spring connection, mounting: Wave soldering, conductor/PCB connection direction: 0 °, color: green, Pin layout: Zigzag pinning W, Solder pin [P]: 4.6 mm, number of solder pins per potential: 2, type of packaging: packed in cardboard

Your advantages

- Time saving push-in connection, tools not required
- Defined contact force ensures that contact remains stable over the long term
- Clamping space opened by means of fixed screwdriver enables convenient conductor connection
- Unrestricted 600-V-UL approval thanks to compact zig-zag pinning
- Operation and conductor connection from one direction enable integration into front of device

PCB terminal block - SPT 5/ 5-H-7,5-ZB



1719228

<https://www.phoenixcontact.com/in/products/1719228>

Commercial Data

Item number	1719228
Packing unit	50 pc
Minimum order quantity	50 pc
Sales Key	AAN
Product Key	AANBBA
Catalog Page	Page 463 (C-1-2013)
GTIN	4046356141321
Weight per Piece (including packing)	19.633 g
Weight per Piece (excluding packing)	18.043 g
Customs tariff number	85369010
Country of origin	BG

Technical Data

Product properties

Product line	COMBICON Terminals L
Product type	Printed circuit board terminal
Number of positions	5
Pitch	7.5 mm
Number of connections	5
Number of rows	1
Number of potentials	5
Pin layout	Zigzag pinning W

Electrical properties

Nominal current I_N	41 A
Nominal voltage U_N	1000 V
Pollution degree	3
Rated voltage (III/3)	800 V
Rated surge voltage (III/3)	8 kV
Rated voltage (III/2)	1000 V
Rated surge voltage (III/2)	8 kV

Connection data

Connection technology

Nominal cross section	6 mm ²
-----------------------	-------------------

Conductor connection

Connection method	Push-in spring connection
Conductor cross section solid	0.2 mm ² ... 10 mm ²
Conductor cross section flexible	0.2 mm ² ... 6 mm ²
Conductor cross section AWG	24 ... 8
Conductor cross section flexible, with ferrule without plastic sleeve	0.25 mm ² ... 6 mm ²
Conductor cross section, flexible, with ferrule, with plastic sleeve	0.25 mm ² ... 6 mm ²
2 conductors with the same cross section, flexible, with TWIN ferrule with plastic sleeve	0.25 mm ² ... 1.5 mm ²
Stripping length	15 mm

Mounting

Mounting type	Wave soldering
---------------	----------------

Material specifications

Material data - contact

Note	WEEE/RoHS-compliant, free of whiskers according to IEC 60068-2-82/JEDEC JESD 201
------	--

PCB terminal block - SPT 5/ 5-H-7,5-ZB

1719228

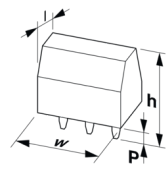
<https://www.phoenixcontact.com/in/products/1719228>

Contact material	Cu alloy
Surface characteristics	Tin-plated
Metal surface terminal point (top layer)	Tin (4 - 8 µm Sn)
Metal surface soldering area (top layer)	Tin (4 - 8 µm Sn)

Material data - housing

Housing color	green (6021)
Insulating material	PA
Insulating material group	I
CTI according to IEC 60112	600
Flammability rating according to UL 94	V0
Glow wire flammability index GWFI according to EN 60695-2-12	850
Glow wire ignition temperature GWIT according to EN 60695-2-13	775
Temperature for the ball pressure test according to EN 60695-10-2	125 °C

Dimensions

Dimensional drawing	
Width	39.3 mm
Height	24.2 mm
Installed height	19.6 mm
Length of the solder pin	4.6 mm
Length	24.15 mm
Length of the solder pin	4.6 mm
Pin dimensions	1.7 x 0.8 mm
Hole diameter	2.1 mm
Pitch	7.5 mm

PCB design

Pin spacing	13.2 mm
-------------	---------

Mechanical tests

Connection test

Specification	IEC 60998-2-2:2002-12
Result	Test passed

Test for conductor damage and slackening

Specification	IEC 60998-2-2:2002-12
Result	Test passed

PCB terminal block - SPT 5/ 5-H-7,5-ZB



1719228

<https://www.phoenixcontact.com/in/products/1719228>

Pull-out test

Specification	IEC 60998-2-2:2002-12
Conductor cross section/conductor type/tractive force setpoint/actual value	0.2 mm ² / solid / > 10 N
	0.2 mm ² / flexible / > 10 N
	10 mm ² / solid / > 90 N
	6 mm ² / flexible / > 80 N

Flexion test

Specification	IEC 60998-2-2:2002-12
Result	Test passed

Electrical tests

Temperature-rise test

Specification	IEC 60998-2-1:2002-12
Requirement temperature-rise test	Increase in temperature ≤ 45 K

Insulation resistance

Specification	IEC 60998-1:2002-12
Insulation resistance, neighboring positions	> 5 MΩ

Air clearances and creepage distances |

Specification	IEC 60664-1:1992-10 + A1:2000-02 + A2:2002-05
Insulating material group	I
Comparative tracking index (IEC 60112)	CTI 600
Rated insulation voltage (III/3)	800 V
Rated surge voltage (III/3)	8 kV
minimum clearance value - non-homogenous field (III/3)	8 mm
minimum creepage distance (III/3)	10 mm
Rated insulation voltage (III/2)	1000 V
Rated surge voltage (III/2)	8 kV
minimum clearance value - non-homogenous field (III/2)	8 mm
minimum creepage distance (III/2)	8 mm
Rated insulation voltage (II/2)	1000 V
Rated surge voltage (II/2)	6 kV
minimum clearance value - non-homogenous field (II/2)	5.5 mm
minimum creepage distance (II/2)	5.5 mm

Environmental and real-life conditions

Vibration test

Specification	IEC 60068-2-6:1995-03
Frequency	10 - 150 - 10 Hz
Sweep speed	1 octave/min
Amplitude	0.35 mm (10 - 60.1 Hz)
Sweep speed	5g (60.1 - 150 Hz)

PCB terminal block - SPT 5/ 5-H-7,5-ZB



1719228

<https://www.phoenixcontact.com/in/products/1719228>

Test duration per axis	2.5 h
------------------------	-------

Glow-wire test

Specification	IEC 60998-1:2002-12
Temperature	850 °C
Time of exposure	5 s

Ambient conditions

Ambient temperature (operation)	-40 °C ... 100 °C (Depending on the current carrying capacity/derating curve)
Ambient temperature (storage/transport)	-40 °C ... 70 °C
Relative humidity (storage/transport)	30 % ... 70 %
Ambient temperature (assembly)	-5 °C ... 100 °C

Packaging specifications

Type of packaging	packed in cardboard
-------------------	---------------------

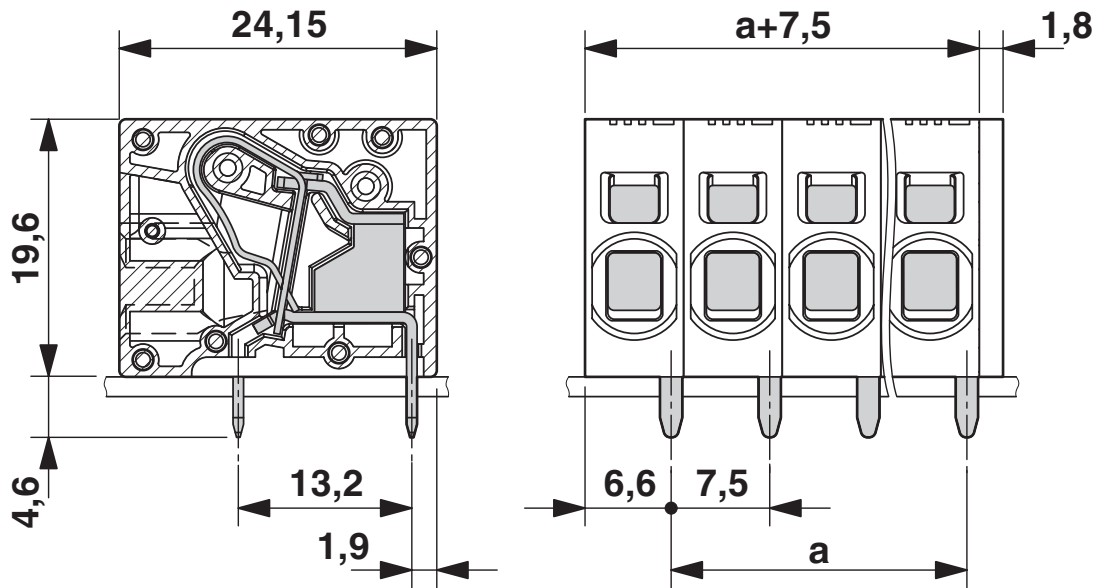
PCB terminal block - SPT 5/ 5-H-7,5-ZB

1719228

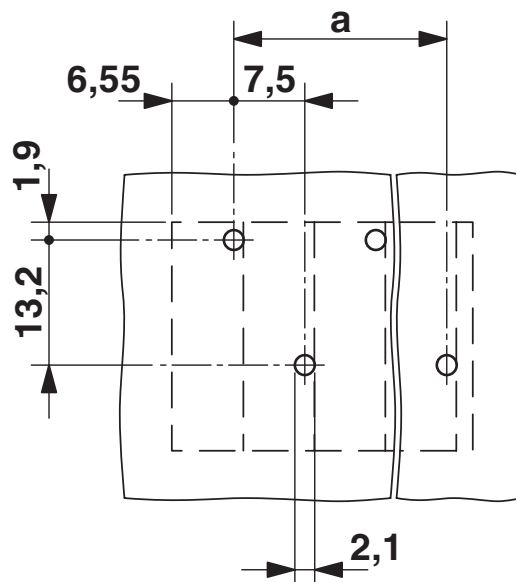
<https://www.phoenixcontact.com/in/products/1719228>

Drawings

Dimensional drawing



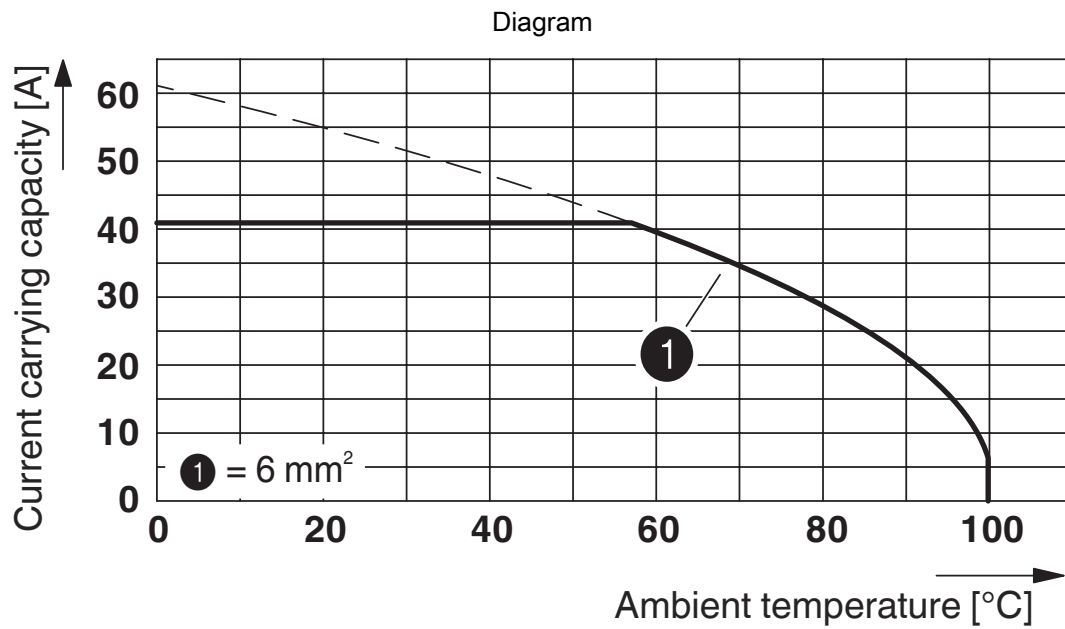
Drilling plan/solder pad geometry



PCB terminal block - SPT 5/ 5-H-7,5-ZB

1719228

<https://www.phoenixcontact.com/in/products/1719228>



Type: SPT 5/...-H-7,5-ZB

Test following DIN EN 60512-5-2:2003-01

Reduction factor = 1

No. of positions: 5

PCB terminal block - SPT 5/ 5-H-7,5-ZB




1719228

<https://www.phoenixcontact.com/in/products/1719228>

Approvals

EAC	EN
-----	----

cULus Recognized 	Nominal Voltage U_N	Nominal Current I_N	Cross Section AWG	Cross Section mm^2
Use group B	600 V	36 A	24 - 8	-
Use group C	600 V	36 A	24 - 8	-

PCB terminal block - SPT 5/ 5-H-7,5-ZB



1719228

<https://www.phoenixcontact.com/in/products/1719228>

Classifications

ECLASS

ECLASS-9.0	27440401
ECLASS-10.0.1	27440401
ECLASS-11.0	27460101

ETIM

ETIM 8.0	EC002643
----------	----------

UNSPSC

UNSPSC 21.0	39121432
-------------	----------

PCB terminal block - SPT 5/ 5-H-7,5-ZB



1719228

<https://www.phoenixcontact.com/in/products/1719228>

Environmental Product Compliance

China RoHS	Environmentally friendly use period: unlimited = EFUP-e
	No hazardous substances above threshold values

PCB terminal block - SPT 5/ 5-H-7,5-ZB

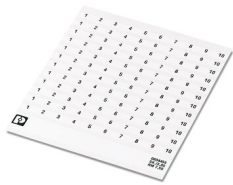
1719228

<https://www.phoenixcontact.com/in/products/1719228>

Accessories

Marker card

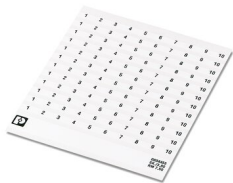
Marker card - SK 7,5/3,8:FORTL.ZAHLEN - 0804455



Marker card, white, labeled, horizontal: consecutive numbers 1 ... 10, 11 ... 20, etc. up to 91 ... 100, mounting type: adhesive, for terminal block width: 7.5 mm, lettering field size: 7.5 x 3.8 mm

Marker card

Marker card - SK 3,8 REEL P7,5 WH CUS - 0825127



Marker card, can be ordered: by card, white, labeled according to customer specifications, mounting type: adhesive, for terminal block width: 7.5 mm, lettering field size: continuous x 3.8 mm

PCB terminal block - SPT 5/ 5-H-7,5-ZB

1719228

<https://www.phoenixcontact.com/in/products/1719228>

Screwdriver

Screwdriver - SZF 1-0,6X3,5 - 1204517



Actuation tool, for ST terminal blocks, also suitable for use as a bladed screwdriver, size: 0.6 x 3.5 x 100 mm, 2-component grip, with non-slip grip

Pitch spacer

Pitch spacer - RZ-SPT 5-4 H - 1701534



Pitch spacer, color: green, product range: DECKEL + RZ + DP

PCB terminal block - SPT 5/ 5-H-7,5-ZB



1719228

<https://www.phoenixcontact.com/in/products/1719228>

Crimping pliers

Crimping pliers - CRIMPFOX 6 - 1212034



Crimping pliers, for ferrules without insulating collar according to DIN 46228 Part 1 and ferrules with insulating collar according to DIN 46228 Part 4, 0.25 mm² ... 6.0 mm², lateral entry, trapezoidal crimp

Phoenix Contact 2022 © - all rights reserved
<https://www.phoenixcontact.com>

PHOENIX CONTACT (I) Pvt. Ltd.
A-58/2, Okhla Industrial Area, Phase - II, New Delhi-110 020

+91.1275.71420
info@phoenixcontact.co.in

单击下面可查看定价，库存，交付和生命周期等信息

[>>Phoenix Contact\(菲尼克斯\)](#)