

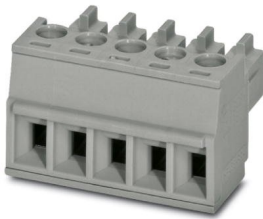
# Printed-circuit board connector - BCP-381- 4 GY



5434942

<https://www.phoenixcontact.com/in/products/5434942>

Please be informed that the data shown in this PDF document is generated from our Online Catalog. Please find the complete data in the user documentation. Our General Terms of Use for Downloads are valid.



PCB connector, nominal cross section: 1.5 mm<sup>2</sup>, color: signal grey, nominal current: 8 A, rated voltage (III/2): 160 V, contact surface: Tin, type of contact: Female connector, number of potentials: 4, number of rows: 1, number of positions: 4, number of connections: 4, product range: BCP, pitch: 3.81 mm, connection method: Screw connection with tension sleeve, screw head form: L Slotted, conductor/PCB connection direction: 0 °, plug-in system: BASICLINE 1,5, Locking: without, mounting: without, type of packaging: packed in cardboard

# Printed-circuit board connector - BCP-381- 4 GY



5434942

<https://www.phoenixcontact.com/in/products/5434942>

## Commercial Data

Order Key	5434942
Packing unit	100 pc
Minimum order quantity	100 pc
Sales Key	AAV
Product Key	AABAYA
GTIN	4046356171762
Weight per Piece (including packing)	3.138 g
Weight per Piece (excluding packing)	2.86 g
Customs tariff number	85366990
Country of origin	IN

5434942

<https://www.phoenixcontact.com/in/products/5434942>

## Technical Data

### Product properties

Type	Standard
Number of positions	4
Number of connections	4
Number of rows	1
Connector system	BASICLINE 1,5
Mounting flange	without
Number of potentials	4

### Electrical properties

Maximum load current	8 A (with 1.5 mm <sup>2</sup> conductor cross section)
Rated voltage (II/2)	320 V
Rated voltage (III/2)	160 V
Rated surge voltage (II/2)	2.5 kV
Rated surge voltage (III/2)	2.5 kV
Rated surge voltage (III/3)	2.5 kV
Nominal voltage U <sub>N</sub>	160 V
Nominal current I <sub>N</sub>	8 A
Nominal current I <sub>N</sub>	8 A

### Connection data

#### Connection technology

Type	Standard
Connector system	BASICLINE 1,5
Nominal cross section	1.5 mm <sup>2</sup>
Type of contact	Female connector

#### Interlock

Locking type	without
Mounting flange	without

#### Conductor connection

Connection method	Screw connection with tension sleeve
Conductor cross section solid	0.2 mm <sup>2</sup> ... 1.5 mm <sup>2</sup>
Conductor cross section flexible	0.2 mm <sup>2</sup> ... 1.5 mm <sup>2</sup>
Conductor cross section AWG	24 ... 16
Conductor cross section flexible, with ferrule without plastic sleeve	0.25 mm <sup>2</sup> ... 1.5 mm <sup>2</sup>
Conductor cross section, flexible, with ferrule, with plastic sleeve	0.25 mm <sup>2</sup> ... 0.5 mm <sup>2</sup>
2 conductors with same cross section, solid	0.2 mm <sup>2</sup> ... 0.5 mm <sup>2</sup>
2 conductors with same cross section, flexible	0.2 mm <sup>2</sup> ... 0.75 mm <sup>2</sup>
2 conductors with same cross section, flexible, with ferrule	0.25 mm <sup>2</sup> ... 0.34 mm <sup>2</sup>

# Printed-circuit board connector - BCP-381- 4 GY



5434942

<https://www.phoenixcontact.com/in/products/5434942>

without plastic sleeve	
2 conductors with the same cross section, flexible, with TWIN ferrule with plastic sleeve	0.5 mm <sup>2</sup> ... 0.5 mm <sup>2</sup>
Stripping length	7 mm
Torque	0.22 Nm ... 0.25 Nm

## Material specifications

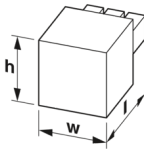
### Material data - contact

Note	WEEE/RoHS-compliant, free of whiskers according to IEC 60068-2-82/JEDEC JESD 201
Contact material	Cu alloy
Surface characteristics	hot-dip tin-plated
Metal surface terminal point (top layer)	Tin (4 - 8 µm Sn)
Metal surface contact area (top layer)	Tin (4 - 8 µm Sn)

### Material data - housing

Housing color	signal grey (7004)
Insulating material	PA
Insulating material group	I
CTI according to IEC 60112	600
Flammability rating according to UL 94	V0
Glow wire flammability index GWFI according to EN 60695-2-12	850
Glow wire ignition temperature GWIT according to EN 60695-2-13	775
Temperature for the ball pressure test according to EN 60695-10-2	125 °C

## Dimensions

Dimensional drawing	
Width	16.03 mm
Height	11.1 mm
Installed height	11.1 mm
Length	16.1 mm
Pitch	3.81 mm

## Mounting

Drive form screw head	Slotted (L)
-----------------------	-------------

## Environmental and real-life conditions

### Ambient conditions

# Printed-circuit board connector - BCP-381- 4 GY



5434942

<https://www.phoenixcontact.com/in/products/5434942>

Ambient temperature (operation)	-40 °C ... 100 °C (dependent on the derating curve)
Ambient temperature (storage/transport)	-40 °C ... 70 °C
Relative humidity (storage/transport)	30 % ... 70 %
Ambient temperature (assembly)	-5 °C ... 100 °C

## Electrical tests

### Electrical properties

Rated voltage (III/2)	160 V
Rated surge voltage (III/2)	2.5 kV
Pollution degree	2

### Air clearances and creepage distances |

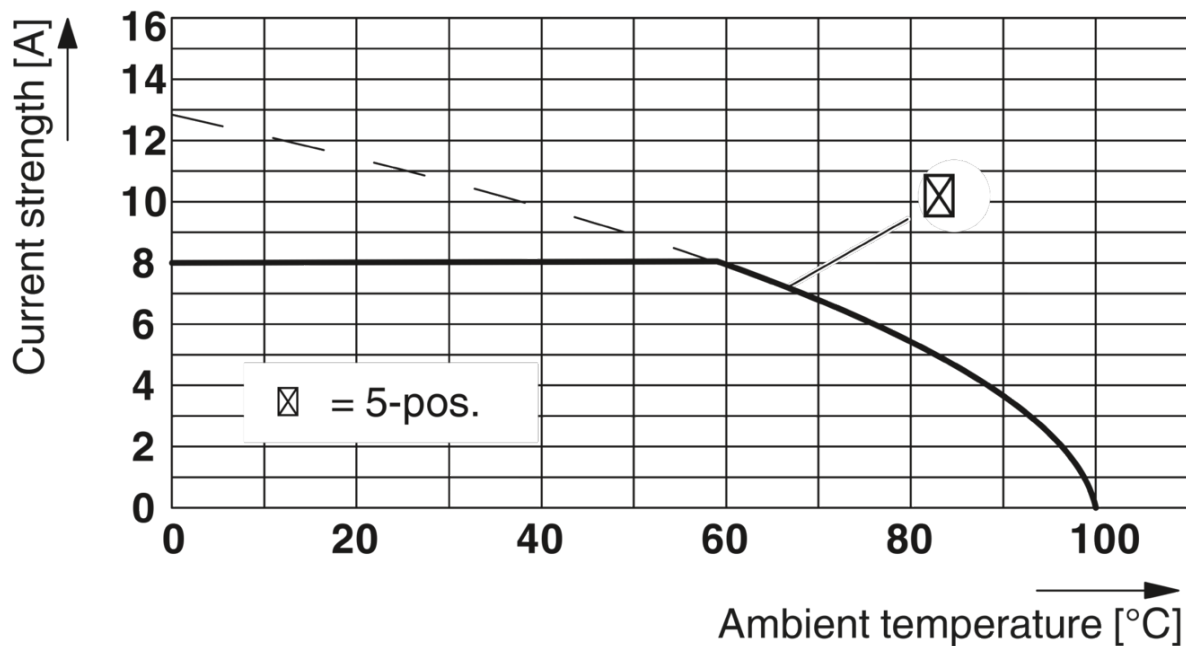
Specification	IEC 60664-1:2007-04
Insulating material group	I
Comparative tracking index (IEC 60112:2003-01)	CTI 600
Rated insulation voltage (III/3)	160 V
Rated surge voltage (III/3)	2.5 kV
minimum clearance value - non-homogenous field (III/3)	1.5 mm
minimum creepage distance (III/3)	2 mm
Rated insulation voltage (III/2)	160 V
Rated surge voltage (III/2)	2.5 kV
minimum clearance value - non-homogenous field (III/2)	1.5 mm
minimum creepage distance (III/2)	1.5 mm
Rated insulation voltage (II/2)	320 V
Rated surge voltage (II/2)	2.5 kV
minimum clearance value - non-homogenous field (II/2)	1.5 mm
minimum creepage distance (II/2)	1.6 mm

## Packaging specifications

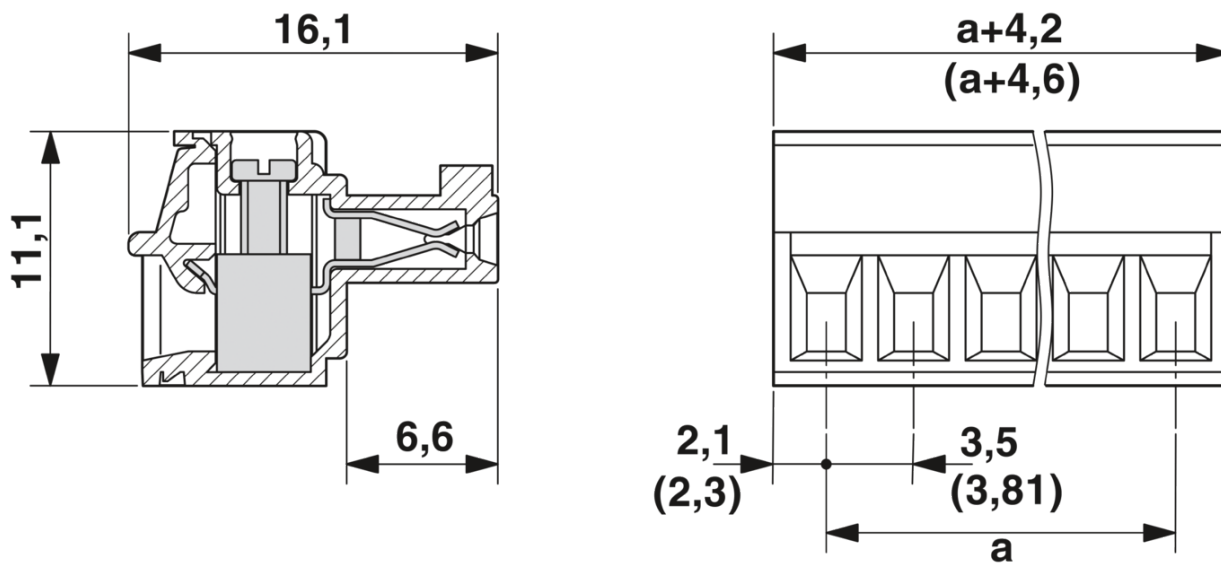
Type of packaging	packed in cardboard
-------------------	---------------------

Drawings

Diagram



Dimensional drawing



# Printed-circuit board connector - BCP-381- 4 GY



5434942

<https://www.phoenixcontact.com/in/products/5434942>

## Approvals

IECEE CB Scheme

EAC

cULus Recognized 	Nominal Voltage $U_N$	Nominal Current $I_N$	Cross Section AWG	Cross Section $mm^2$
Use group B	250 V	8 A	30 - 14	-
Use group D	300 V	8 A	30 - 14	-

VDE Gutachten mit Fertigungsüberwachung 	Nominal Voltage $U_N$	Nominal Current $I_N$	Cross Section AWG	Cross Section $mm^2$
	160 V	8 A	-	0.2 - 1.5

# Printed-circuit board connector - BCP-381- 4 GY



5434942

<https://www.phoenixcontact.com/in/products/5434942>

## Classifications

### ECLASS

ECLASS-9.0	27440309
ECLASS-10.0.1	27440309
ECLASS-11.0	27460202

### ETIM

ETIM 6.0	EC002638
----------	----------

### UNSPSC

UNSPSC 19.0	39121409
UNSPSC 20.0	39121409
UNSPSC 21.0	39121409



# Printed-circuit board connector - BCP-381- 4 GY



5434942

<https://www.phoenixcontact.com/in/products/5434942>

## Environmental Product Compliance

REACH SVHC	Lead 7439-92-1
China RoHS	Environmentally Friendly Use Period = 50 years For details about hazardous substances go to tab "Downloads", Category "Manufacturer's declaration"

# Printed-circuit board connector - BCP-381- 4 GY



5434942

<https://www.phoenixcontact.com/in/products/5434942>

## Accessories

### Screwdriver

Screwdriver - SZS 0,4X2,5 VDE - 1205037



Screwdriver, slot-headed, VDE insulated, size: 0.4 x 2.5 x 80 mm, 2-component grip, with non-slip grip

### Marker card

Marker card - SK 3,5/2,8:FORTL.ZAHLEN - 0804073



Marker card, Card, white, labeled, horizontal: consecutive numbers 1 ... 10, 11 ... 20, etc. up to 91 ... 99, mounting type: adhesive, for terminal block width: 3.5 mm, lettering field size: 3.5 x 2.8 mm

Phoenix Contact 2022 © - all rights reserved  
<https://www.phoenixcontact.com>

PHOENIX CONTACT (I) Pvt. Ltd.  
A-58/2, Okhla Industrial Area, Phase - II, New Delhi-110 020

+91.1275.71420  
[info@phoenixcontact.co.in](mailto:info@phoenixcontact.co.in)

单击下面可查看定价，库存，交付和生命周期等信息

[>>Phoenix Contact\(菲尼克斯\)](#)