

# Printed-circuit board connector - MSTBC 2,5/ 4-STZ-5,08-R



1809064

<https://www.phoenixcontact.com/in/products/1809064>

Please be informed that the data shown in this PDF document is generated from our Online Catalog. Please find the complete data in the user documentation. Our General Terms of Use for Downloads are valid.



PCB connector, nominal cross section: 2.5 mm<sup>2</sup>, color: green, nominal current: 12 A, rated voltage (III/2): 320 V, type of contact: Female connector, number of potentials: 4, number of rows: 1, number of positions: 4, number of connections: 4, product range: MSTBC 2,5/...-STZ-RF, pitch: 5.08 mm, connection method: Crimp connection, conductor/PCB connection direction: 0 °, locking clip: - without locking clip, plug-in system: CLASSIC COMBICON, Locking: Snap-in locking, mounting: Self-locking flange, type of packaging: packed in cardboard, Corresponding female crimp contacts with current [A] and conductor cross section range [mm<sup>2</sup>] data: 10A/MSTBC-MT 0,5-1,0 (3190564); 10A/MSTBC-MT 0,5-1,0 BA (3190645); 12A/MSTBC-MT 1,5-2,5 (3190551); 12A/MSTBC-MT 1,5-2,5 BA (3190658). BA = Bandkontakte

## Your advantages

- Inexpensive connection of large quantities of pre-assembled conductors
- Pull-out aid facilitates handling and allows the tensile force to be reduced at the contact point
- Intuitive locking mechanism prevents accidental disconnection

# Printed-circuit board connector - MSTBC 2,5/ 4-STZ-5,08-R



1809064

<https://www.phoenixcontact.com/in/products/1809064>

## Commercial Data

|                                      |                     |
|--------------------------------------|---------------------|
| Order Key                            | 1809064             |
| Packing unit                         | 50 pc               |
| Minimum order quantity               | 50 pc               |
| Sales Key                            | AAA                 |
| Product Key                          | AACCEE              |
| Catalog Page                         | Page 295 (C-1-2013) |
| GTIN                                 | 4017918114961       |
| Weight per Piece (including packing) | 2.98 g              |
| Weight per Piece (excluding packing) | 2.98 g              |
| Customs tariff number                | 85389099            |
| Country of origin                    | PL                  |

# Printed-circuit board connector - MSTBC 2,5/ 4-STZ-5,08-R



1809064

<https://www.phoenixcontact.com/in/products/1809064>

## Technical Data

### Product properties

|                       |                     |
|-----------------------|---------------------|
| Type                  | Standard            |
| Number of positions   | 4                   |
| Number of connections | 4                   |
| Number of rows        | 1                   |
| Connector system      | CLASSIC COMBICON    |
| Mounting flange       | Self-locking flange |
| Number of potentials  | 4                   |

### Electrical properties

|                             |       |
|-----------------------------|-------|
| Maximum load current        | 12 A  |
| Rated voltage (II/2)        | 630 V |
| Rated voltage (III/2)       | 320 V |
| Rated surge voltage (II/2)  | 4 kV  |
| Rated surge voltage (III/2) | 4 kV  |
| Rated surge voltage (III/3) | 4 kV  |
| Nominal voltage $U_N$       | 320 V |
| Nominal current $I_N$       | 12 A  |
| Nominal current $I_N$       | 12 A  |

### Connection data

#### Connection technology

|                       |                     |
|-----------------------|---------------------|
| Connector system      | CLASSIC COMBICON    |
| Nominal cross section | 2.5 mm <sup>2</sup> |
| Type of contact       | Female connector    |

#### Interlock

|                 |                     |
|-----------------|---------------------|
| Locking type    | Snap-in locking     |
| Mounting flange | Self-locking flange |

#### Conductor connection

|                                  |   |
|----------------------------------|---|
| Connection method                | Crimp connection                            |
| Conductor cross section flexible | 0.5 mm <sup>2</sup> ... 2.5 mm <sup>2</sup> |
| Conductor cross section AWG      | 20 ... 14                                   |

### Material specifications

#### Material data - housing

|                            |              |
|----------------------------|--------------|
| Housing color              | green (6021) |
| Insulating material        | PA           |
| Insulating material group  | I            |
| CTI according to IEC 60112 | 600          |

# Printed-circuit board connector - MSTBC 2,5/ 4-STZ-5,08-R

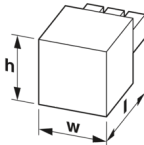


1809064

<https://www.phoenixcontact.com/in/products/1809064>

|   |        |
|---|--------|
| Flammability rating according to UL 94                            | V0     |
| Glow wire flammability index GWFI according to EN 60695-2-12      | 850    |
| Glow wire ignition temperature GWIT according to EN 60695-2-13    | 775    |
| Temperature for the ball pressure test according to EN 60695-10-2 | 125 °C |

## Dimensions

|                     |  |
|---------------------|--|
| Dimensional drawing |  |
| Width               | 30.75 mm   |
| Height              | 10.5 mm  |
| Installed height    | 10.5 mm  |
| Length              | 25 mm  |
| Pitch               | 5.08 mm  |

## Environmental and real-life conditions

### Ambient conditions

|   |   |
|---|---|
| Ambient temperature (operation)         | -40 °C ... 100 °C (dependent on the derating curve) |
| Ambient temperature (storage/transport) | -40 °C ... 70 °C                                    |
| Relative humidity (storage/transport)   | 30 % ... 70 %                                       |
| Ambient temperature (assembly)          | -5 °C ... 100 °C                                    |

## Electrical tests

### Electrical properties

|                             |       |
|-----------------------------|-------|
| Rated voltage (III/2)       | 320 V |
| Rated surge voltage (III/2) | 4 kV  |
| Pollution degree            | 2     |

### Air clearances and creepage distances |

|  |                     |
|--|---------------------|
| Specification  | IEC 60664-1:2007-04 |
| Insulating material group                              | I                   |
| Comparative tracking index (IEC 60112:2003-01)         | CTI 600             |
| Rated insulation voltage (III/3)                       | 320 V               |
| Rated surge voltage (III/3)                            | 4 kV                |
| minimum clearance value - non-homogenous field (III/3) | 3 mm                |
| minimum creepage distance (III/3)                      | 4 mm                |
| Rated insulation voltage (III/2)                       | 320 V               |
| Rated surge voltage (III/2)                            | 4 kV                |
| minimum clearance value - non-homogenous field (III/2) | 3 mm                |
| minimum creepage distance (III/2)                      | 3 mm                |

# Printed-circuit board connector - MSTBC 2,5/ 4-STZ-5,08-R



1809064

<https://www.phoenixcontact.com/in/products/1809064>

|   |        |
|---|--------|
| Rated insulation voltage (II/2)                       | 630 V  |
| Rated surge voltage (II/2)                            | 4 kV   |
| minimum clearance value - non-homogenous field (II/2) | 3 mm   |
| minimum creepage distance (II/2)                      | 3.2 mm |

## Packaging specifications

|                   |                     |
|-------------------|---------------------|
| Type of packaging | packed in cardboard |
|-------------------|---------------------|

# Printed-circuit board connector - MSTBC 2,5/ 4-STZ-5,08-R

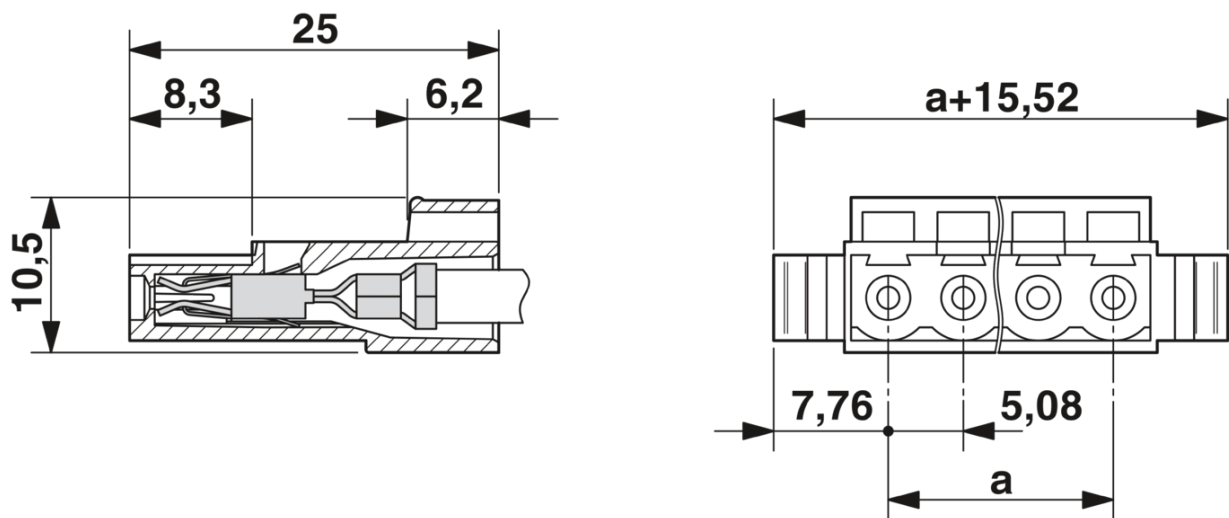


1809064

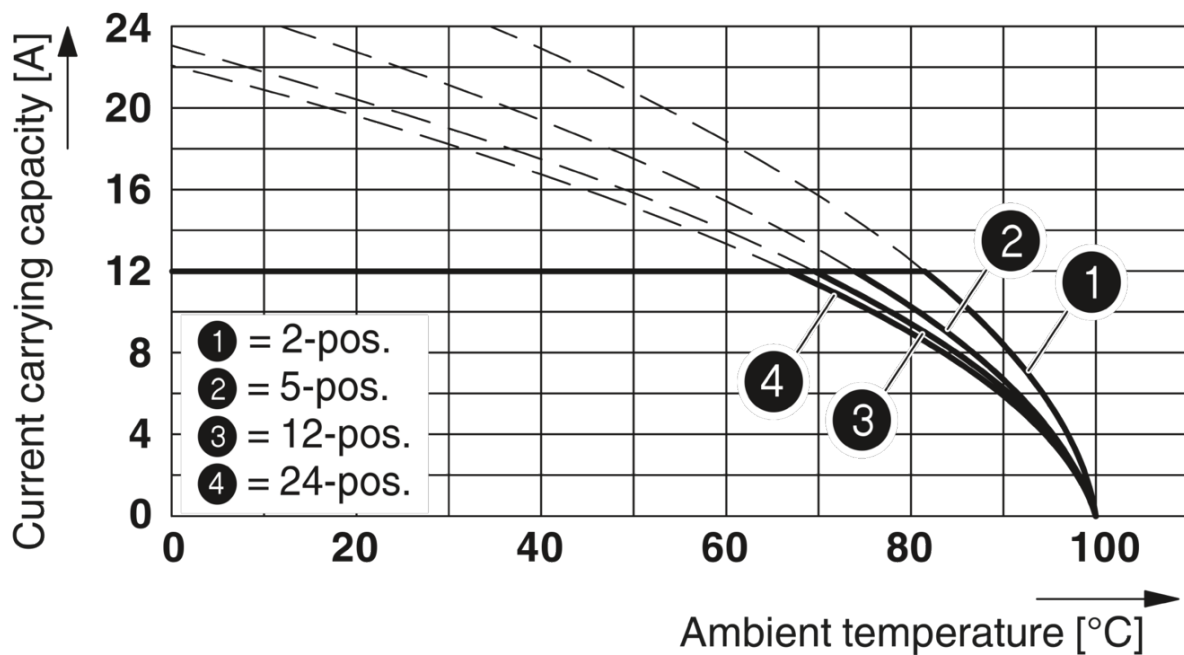
<https://www.phoenixcontact.com/in/products/1809064>

## Drawings

Dimensional drawing



Diagram



Type: MSTBC 2,5/...-ST-5,08 with MSTBA 2,5/...-G-5,08; contact: MSTBC-MT 1,5 - 2,5


# Printed-circuit board connector - MSTBC 2,5/ 4-STZ-5,08-R




1809064


<https://www.phoenixcontact.com/in/products/1809064>

## Approvals

| cUL Recognized  | Nominal Voltage $U_N$ | Nominal Current $I_N$ | Cross Section AWG | Cross Section $mm^2$ |
|--|-----------------------|-----------------------|-------------------|----------------------|
| Use group B  | 250 V                 | 10 A                  | 20 - 14           | -                    |
| Use group D  | 300 V                 | 10 A                  | 20 - 14           | -                    |

| UL Recognized  | Nominal Voltage $U_N$ | Nominal Current $I_N$ | Cross Section AWG | Cross Section $mm^2$ |
|---|-----------------------|-----------------------|-------------------|----------------------|
| Use group B   | 250 V                 | 10 A                  | 20 - 14           | -                    |
| Use group D   | 300 V                 | 10 A                  | 20 - 14           | -                    |

IECEE CB Scheme 

EAC 

VDE Zeichengenehmigung 

cULus Recognized

# Printed-circuit board connector - MSTBC 2,5/ 4-STZ-5,08-R



1809064

<https://www.phoenixcontact.com/in/products/1809064>

## Classifications

### ECLASS

|               |          |
|---------------|----------|
| ECLASS-9.0    | 27440309 |
| ECLASS-10.0.1 | 27440309 |
| ECLASS-11.0   | 27460202 |

### ETIM

|          |          |
|----------|----------|
| ETIM 6.0 | EC002638 |
|----------|----------|

### UNSPSC

|             |          |
|-------------|----------|
| UNSPSC 19.0 | 39121409 |
| UNSPSC 20.0 | 39121409 |
| UNSPSC 21.0 | 39121409 |



# Printed-circuit board connector - MSTBC 2,5/ 4-STZ-5,08-R



1809064

<https://www.phoenixcontact.com/in/products/1809064>

## Environmental Product Compliance

|            |   |
|------------|---|
| China RoHS | Environmentally friendly use period: unlimited = EFUP-e |
|            | No hazardous substances above threshold values          |

# Printed-circuit board connector - MSTBC 2,5/ 4-STZ-5,08-R



1809064

<https://www.phoenixcontact.com/in/products/1809064>

## Accessories

### Accessories

Accessories - MSTBC-MT 0,5-1,0 - 3190564



Module female contact, is inserted into the plug housing MSTBC after crimping the conductor, for conductors from 0.5 to 1.0 mm<sup>2</sup>

---

## Accessories

Accessories - MSTBC-MT 0,5-1,0 BA - 3190645



Module female contact, is inserted into the MSTBC connector shell after the conductor has been crimped, for conductors from 0.5 - 1.0 mm<sup>2</sup>, ribbon contact

# Printed-circuit board connector - MSTBC 2,5/ 4-STZ-5,08-R



1809064

<https://www.phoenixcontact.com/in/products/1809064>

## Accessories

Accessories - MSTBC-MT 1,5-2,5 - 3190551



Module female contact, is inserted into the plug housing MSTBC after crimping the conductor, for conductors from 1.5 to 2.5 mm<sup>2</sup>

---

## Accessories

Accessories - MSTBC-MT 0,2-0,5 - 1879531



Module socket contact, is inserted into the plug housing MSTBC after crimping the conductor, for conductors from 0.2 to 0.5 mm<sup>2</sup>

# Printed-circuit board connector - MSTBC 2,5/ 4-STZ-5,08-R



1809064

<https://www.phoenixcontact.com/in/products/1809064>

## Accessories

Accessories - MSTBC-MT 0,2-0,5 BAND - 1879544



Module socket contact, is inserted into the plug housing MSTBC after crimping the conductor, for conductors from 0.2 to 0.5 mm<sup>2</sup>

---

## Marker card

Marker card - SK 5,08/3,8:FORTL.ZAHLEN - 0804293



Marker card, Card, white, labeled, horizontal: consecutive numbers 1 ... 10, 11 ... 20, etc. up to 91 ... (99)100, mounting type: adhesive, for terminal block width: 5.08 mm, lettering field size: 5.08 x 3.8 mm

# Printed-circuit board connector - MSTBC 2,5/ 4-STZ-5,08-R



1809064

<https://www.phoenixcontact.com/in/products/1809064>

## Screwdriver

Screwdriver - SZS 0,4X2,5 VDE - 1205037



Screwdriver, slot-headed, VDE insulated, size: 0.4 x 2.5 x 80 mm, 2-component grip, with non-slip grip

---

## Strain relief

Strain relief - STZ 2-MSTBC-5,08 - 1810529



Strain relief for snapping into the latching chambers of the plug components, 2-pos., labeling with ZB 6

# Printed-circuit board connector - MSTBC 2,5/ 4-STZ-5,08-R



1809064

<https://www.phoenixcontact.com/in/products/1809064>

## Strain relief

Strain relief - STZ 4-MSTBC-5,08 - 1810532



Strain relief for snapping into the latching chambers of the plug components, 4-pos., labeling with ZB 6

---

## Female insert

Female insert - MSTBC-MT 1,5-2,5 BA - 3190658



Module female contact, is inserted into the MSTBC connector shell after the conductor has been crimped, for conductors from 1.5 - 2.5 mm<sup>2</sup>, ribbon contact

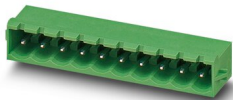
# Printed-circuit board connector - MSTBC 2,5/ 4-STZ-5,08-R

1809064

<https://www.phoenixcontact.com/in/products/1809064>

## PCB header

PCB header - MSTBA 2,5/ 4-G-5,08-RN - 1926031



PCB headers, nominal cross section: 2.5 mm<sup>2</sup>, color: green, nominal current: 12 A, rated voltage (III/2): 320 V, contact surface: Tin, type of contact: Male connector, number of potentials: 4, number of rows: 1, number of positions: 4, number of connections: 4, product range: MSTBA 2,5/...-G-RN, pitch: 5.08 mm, mounting: Wave soldering, pin layout: Linear pinning, solder pin [P]: 3.5 mm, number of solder pins per potential: 1, plug-in system: CLASSIC COMBICON, Pin connector pattern alignment: Standard, Locking: Snap-in locking, mounting: Engagement nose, type of packaging: packed in cardboard, Article with engagement nose

## Printed-circuit board connector

Printed-circuit board connector - ICC 2,5/ 4-STZ-5,08 - 1823862



PCB connector, nominal cross section: 2.5 mm<sup>2</sup>, color: green, nominal current: 12 A, rated voltage (III/2): 320 V, type of contact: Male connector, number of potentials: 4, number of rows: 1, number of positions: 4, number of connections: 4, product range: ICC 2,5/...-STZ, pitch: 5.08 mm, connection method: Crimp connection, conductor/PCB connection direction: 0 °, locking clip: - without locking clip, plug-in system: CLASSIC COMBICON, Locking: Snap-in locking, mounting: Engagement nose, type of packaging: packed in cardboard, Corresponding male crimp contacts with current [A] and conductor cross section range [mm<sup>2</sup>] data: 10A/ICC-MT 0,5-1,0 (3190577); 10A/ICC-MT 0,5-1,0 BA (3190603); 12A/ICC-MT 1,5-2,5 (3190580); 12A/ICC-MT 1,5-2,5 BA (3190593). BA = Bandkontakte

# Printed-circuit board connector - MSTBC 2,5/ 4-STZ-5,08-R



1809064

<https://www.phoenixcontact.com/in/products/1809064>

## Printed-circuit board connector

Printed-circuit board connector - CCA 2,5/ 4-G-5,08 RNP26THR - 1955183



PCB headers, nominal cross section: 2.5 mm<sup>2</sup>, color: black, nominal current: 12 A, rated voltage (III/2): 320 V, contact surface: Tin, type of contact: Male connector, number of potentials: 4, number of rows: 1, number of positions: 4, number of connections: 4, product range: CCA 2,5/..-G-RN, pitch: 5.08 mm, mounting: THR soldering, pin layout: Linear pinning, solder pin [P]: 2.6 mm, number of solder pins per potential: 1, plug-in system: CLASSIC COMBICON, Pin connector pattern alignment: Standard, Locking: Snap-in locking, mounting: Engagement nose, type of packaging: packed in cardboard, Article with self-locking flange; user information and design recommendations on through-hole reflow technology can be found at: "Downloads"

## Printed-circuit board connector

Printed-circuit board connector - CCA 2,5/ 4-G-5,08 RNP26THRR56 - 1955293



PCB headers, nominal cross section: 2.5 mm<sup>2</sup>, color: black, nominal current: 12 A, rated voltage (III/2): 320 V, contact surface: Tin, type of contact: Male connector, number of potentials: 4, number of rows: 1, number of positions: 4, number of connections: 4, product range: CCA 2,5/..-G-RN, pitch: 5.08 mm, mounting: THR soldering, pin layout: Linear pinning, solder pin [P]: 2.6 mm, number of solder pins per potential: 1, plug-in system: CLASSIC COMBICON, Pin connector pattern alignment: Standard, Locking: Snap-in locking, mounting: Engagement nose, type of packaging: 56 mm wide tape, Article with self-locking flange; user information and design recommendations on through-hole reflow technology can be found at: "Downloads"



# Printed-circuit board connector - MSTBC 2,5/ 4-STZ-5,08-R



1809064

<https://www.phoenixcontact.com/in/products/1809064>

## Printed-circuit board connector

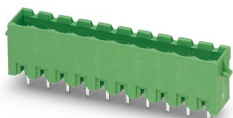
Printed-circuit board connector - CCVA 2,5/ 4-G-5,08RNP26THRR56 - 1956218



PCB headers, nominal cross section: 2.5 mm<sup>2</sup>, color: black, nominal current: 12 A, rated voltage (III/2): 320 V, contact surface: Tin, type of contact: Male connector, number of potentials: 4, number of rows: 1, number of positions: 4, number of connections: 4, product range: CCVA 2,5/..-G-RN, pitch: 5.08 mm, mounting: THR soldering, pin layout: Linear pinning, solder pin [P]: 2.6 mm, number of solder pins per potential: 1, plug-in system: CLASSIC COMBICON, Pin connector pattern alignment: Standard, Locking: Snap-in locking, mounting: Engagement nose, type of packaging: 56 mm wide tape, Article with self-locking flange; user information and design recommendations on through-hole reflow technology can be found at: "Downloads"

## Printed-circuit board connector

Printed-circuit board connector - MSTBVA 2,5/ 4-G-5,08-RN - 1936034



PCB headers, nominal cross section: 2.5 mm<sup>2</sup>, color: green, nominal current: 12 A, rated voltage (III/2): 320 V, contact surface: Tin, type of contact: Male connector, number of potentials: 4, number of rows: 1, number of positions: 4, number of connections: 4, product range: MSTBVA 2,5/..-G-RN, pitch: 5.08 mm, mounting: Wave soldering, pin layout: Linear pinning, solder pin [P]: 3.9 mm, number of solder pins per potential: 1, plug-in system: CLASSIC COMBICON, Pin connector pattern alignment: Standard, Locking: Snap-in locking, mounting: Engagement nose, type of packaging: packed in cardboard, Article with engagement nose

# Printed-circuit board connector - MSTBC 2,5/ 4-STZ-5,08-R



1809064

<https://www.phoenixcontact.com/in/products/1809064>

## Printed-circuit board connector

Printed-circuit board connector - FKIC 2,5/ 4-ST-5,08-RN - 1925883

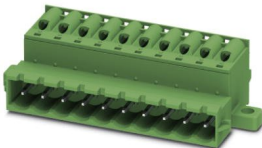


PCB connector, nominal cross section: 2.5 mm<sup>2</sup>, color: green, nominal current: 12 A, rated voltage (III/2): 320 V, contact surface: Tin, type of contact: Male connector, number of potentials: 4, number of rows: 1, number of positions: 4, number of connections: 4, product range: FKIC 2,5/...-ST-RN, pitch: 5.08 mm, connection method: Push-in spring connection, conductor/PCB connection direction: 0 °, locking clip: - without locking clip, plug-in system: CLASSIC COMBICON, Locking: Snap-in locking, mounting: Engagement nose, type of packaging: packed in cardboard, Article with engagement nose

---

## Printed-circuit board connector

Printed-circuit board connector - FKICS 2,5/ 4-STD-5,08-RN - 1808747



PCB connector, nominal cross section: 2.5 mm<sup>2</sup>, color: green, nominal current: 12 A, rated voltage (III/2): 320 V, contact surface: Tin, type of contact: Male connector, number of potentials: 4, number of rows: 1, number of positions: 4, number of connections: 4, product range: FKICS 2,5/...-STD-RN, pitch: 5.08 mm, connection method: Push-in spring connection, conductor/PCB connection direction: 0 °, locking clip: - without locking clip, plug-in system: CLASSIC COMBICON, Locking: Snap-in locking, mounting: Engagement nose, type of packaging: packed in cardboard

# Printed-circuit board connector - MSTBC 2,5/ 4-STZ-5,08-R



1809064

<https://www.phoenixcontact.com/in/products/1809064>

## Coding profile

Coding profile - CP-MSTB - 1734634

Coding profile, is inserted into the slot on the plug or inverted header, red insulating material



---

## Crimping pliers

Crimping pliers - CRIMPFOX MT 2,5 - 1204038

Crimping pliers, for crimping conductors to the module female contacts STG-MTN, crimp range: 0.5-2.5 mm<sup>2</sup>, AWG: 20-14



---

Phoenix Contact 2022 © - all rights reserved  
<https://www.phoenixcontact.com>

PHOENIX CONTACT (I) Pvt. Ltd.  
A-58/2, Okhla Industrial Area, Phase - II, New Delhi-110 020

+91.1275.71420  
[info@phoenixcontact.co.in](mailto:info@phoenixcontact.co.in)

单击下面可查看定价，库存，交付和生命周期等信息

[>>Phoenix Contact\(菲尼克斯\)](#)