

Component terminal block - UKK 5-2R/NAMUR



2941662

<https://www.phoenixcontact.com/in/products/2941662>

Please be informed that the data shown in this PDF document is generated from our Online Catalog. Please find the complete data in the user documentation. Our General Terms of Use for Downloads are valid.



Double-level terminal block, with preassembled resistors

Your advantages

- For intrinsically safe circuits, only in combination with D-UKK 3/5 cover

Component terminal block - UKK 5-2R/NAMUR



2941662

<https://www.phoenixcontact.com/in/products/2941662>

Commercial Data

Order Key	2941662
Packing unit	50 pc
Minimum order quantity	50 pc
Sales Key	BE1
Product Key	BE1272
Catalog Page	Page 177 (C-5-2019)
GTIN	4017918080570
Weight per Piece (including packing)	16.32 g
Weight per Piece (excluding packing)	16.32 g
Customs tariff number	85369010
Country of origin	CN

Component terminal block - UKK 5-2R/NAMUR



2941662

<https://www.phoenixcontact.com/in/products/2941662>

Technical Data

Product properties

Number of connections	4
Number of rows	2
Potentials	2

Insulation characteristics

Overvoltage category	III
Degree of pollution	3

Electrical properties

Rated insulation voltage	500 V
Rated surge voltage	6 kV
Maximum power dissipation for nominal condition	1.02 W

Connection data

Number of connections per level	2
Nominal cross section	4 mm ²

1st and 2nd level

Screw thread	M3
Tightening torque	0.6 ... 0.8 Nm
Stripping length	8 mm
Internal cylindrical gage	A4
Connection in acc. with standard	IEC / EN
Conductor cross section solid	0.2 mm ² ... 4 mm ²
Cross section AWG	24 ... 12
Conductor cross section flexible	0.2 mm ² ... 4 mm ²
Conductor cross section, flexible [AWG]	24 ... 12
Flexible conductor cross section flexible (ferrule, w/o plastic sleeve)	0.25 mm ² ... 4 mm ²
Flexible conductor cross section (ferrule with plastic sleeve)	0.25 mm ² ... 2.5 mm ²
2 conductors with same cross section, solid	0.2 mm ² ... 1.5 mm ²
2 conductors with same cross section, flexible	0.2 mm ² ... 1.5 mm ²
2 conductors with same cross section, flexible, with ferrule without plastic sleeve	0.25 mm ² ... 1.5 mm ²
2 conductors with the same cross section, flexible, with TWIN ferrule with plastic sleeve	0.5 mm ² ... 1.5 mm ²
Nominal cross section	4 mm ²
Cross-section with insertion bridge, rigid	4 mm ²
Cross-section with insertion bridge, flexible	2.5 mm ²

Dimensions

Width	6.2 mm
-------	--------

Component terminal block - UKK 5-2R/NAMUR



2941662

<https://www.phoenixcontact.com/in/products/2941662>

End cover width	2.5 mm
Height NS 35/15	69.5 mm
Height NS 35/7,5	62 mm
Height	2.441 "
Height NS 32	67 mm
Length	56 mm

Material specifications

Color	gray
Flammability rating according to UL 94	V0
Insulating material group	I
Insulating material	PA

Mechanical properties

Mechanical data

Open side panel	Yes
-----------------	-----

Environmental and real-life conditions

Ambient conditions

Ambient temperature (operation)	-60 °C ... 105 °C (max. short-term operating temperature RTI Elec.)
Ambient temperature (storage/transport)	-25 °C ... 60 °C (for a short time, not exceeding 24 h, -60 °C to +70 °C)
Ambient temperature (assembly)	-5 °C ... 70 °C
Ambient temperature (actuation)	-5 °C ... 70 °C
Permissible humidity (storage/transport)	30 % ... 70 %

Standards and regulations

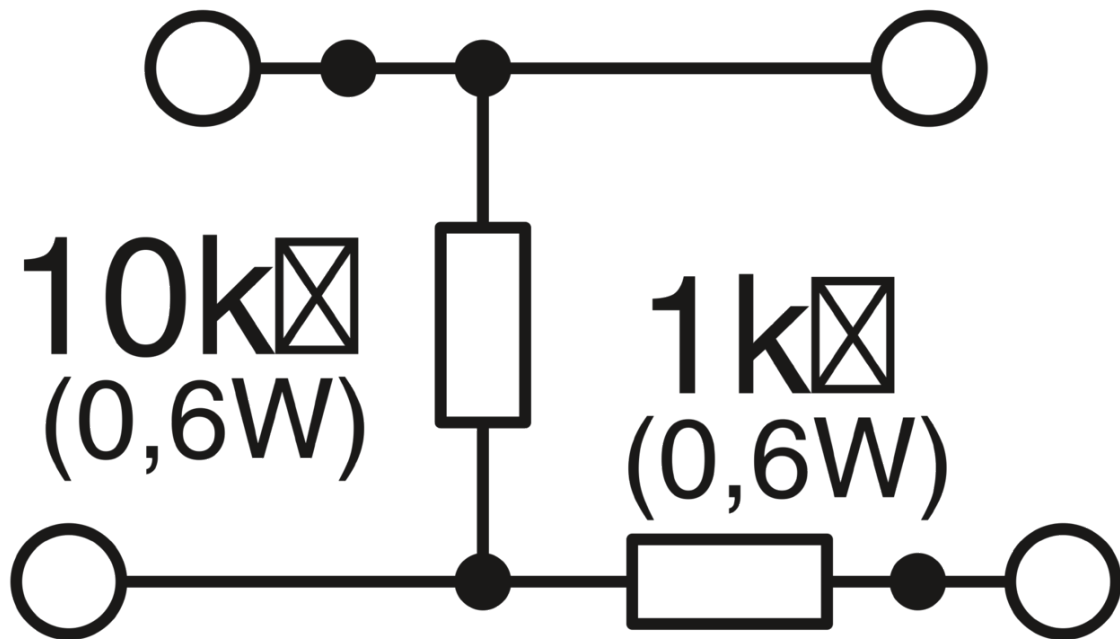
Connection in acc. with standard	IEC / EN
----------------------------------	----------

Mounting

Mounting type	NS 35/7,5
	NS 35/15
	NS 32

Drawings

Circuit diagram



Component terminal block - UKK 5-2R/NAMUR



2941662

<https://www.phoenixcontact.com/in/products/2941662>

Approvals

EAC ENEC

Component terminal block - UKK 5-2R/NAMUR



2941662

<https://www.phoenixcontact.com/in/products/2941662>

Classifications

ECLASS

ECLASS-9.0	27141127
ECLASS-10.0.1	27141127
ECLASS-11.0	27141127

ETIM

ETIM 6.0	EC000903
----------	----------

UNSPSC

UNSPSC 19.0	39121410
UNSPSC 20.0	39121410
UNSPSC 21.0	39121410

Component terminal block - UKK 5-2R/NAMUR



2941662

<https://www.phoenixcontact.com/in/products/2941662>

Environmental Product Compliance

China RoHS	Environmentally Friendly Use Period = 50 years For details about hazardous substances go to tab "Downloads", Category "Manufacturer's declaration"
------------	--

Component terminal block - UKK 5-2R/NAMUR

2941662

<https://www.phoenixcontact.com/in/products/2941662>

Accessories

Screwdriver

Screwdriver - SZS 0,6X3,5 - 1205053



Actuation tool, for ST terminal blocks, insulated, also suitable for use as a bladed screwdriver, size: 0.6 x 3.5 x 100 mm, 2-component grip, with non-slip grip

Marker card

Marker card - SBS 6:UNBEDRUCKT - 1007222



Marker card, Card, white, unlabeled, can be labeled with: Marker pen, mounting type: snap in, snap into flat marker groove, for terminal block width: 6 mm, lettering field size: 6 x 6.1 mm, Number of individual labels: 250

Component terminal block - UKK 5-2R/NAMUR

2941662

<https://www.phoenixcontact.com/in/products/2941662>

Spacer plate

Spacer plate - DP-UKK 3/5 - 2770794

Spacer plate, to compensate for level offsets, length: 56 mm, width: 2.5 mm, height: 25 mm, color: gray



Spacer plate

Spacer plate - DG-UKK 3/5 - 2770817

Spacer plate, to compensate for level offsets, length: 56 mm, width: 2.5 mm, height: 52 mm, color: gray



Component terminal block - UKK 5-2R/NAMUR

2941662

<https://www.phoenixcontact.com/in/products/2941662>

End clamp

End clamp - CLIPFIX 35 - 3022218

Quick mounting end clamp for NS 35/7,5 DIN rail or NS 35/15 DIN rail, with marking option, width: 9.5 mm, color: gray



End clamp

End clamp - CLIPFIX 35-5 - 3022276

Quick mounting end clamp for NS 35/7,5 DIN rail or NS 35/15 DIN rail, with marking option, with parking option for FBS...5, FBS...6, KSS 5, KSS 6, width: 5.15 mm, color: gray



Component terminal block - UKK 5-2R/NAMUR

2941662

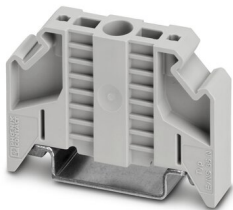
<https://www.phoenixcontact.com/in/products/2941662>



End clamp

End clamp - E/NS 35 N - 0800886

End clamp, width: 9.5 mm, color: gray



End clamp

End clamp - E/UK - 1201442

End clamp, material: PA, color: gray, Mounting on a DIN rail NS 32 or NS 35



Component terminal block - UKK 5-2R/NAMUR



2941662

<https://www.phoenixcontact.com/in/products/2941662>

End clamp

End clamp - E/UK 1 - 1201413



End clamps, for supporting the ends of double-level and three-level terminal blocks, width: 10 mm, color: gray

End cover

End cover - D-UKK 3/5 - 2770024



End cover, length: 56 mm, width: 2.5 mm, height: 52 mm, color: gray

Component terminal block - UKK 5-2R/NAMUR

2941662

<https://www.phoenixcontact.com/in/products/2941662>



End cap

End cap - NS 35/ 7,5 CAP - 1206560

DIN rail end piece, for DIN rail NS 35/7.5



End cap

End cap - NS 35/15 CAP - 1206573

DIN rail end piece, for DIN rail NS 35/15



Component terminal block - UKK 5-2R/NAMUR

2941662

<https://www.phoenixcontact.com/in/products/2941662>



DIN rail, unperforated

DIN rail, unperforated - NS 32 UNPERF 2000MM-VPE 10 - 1201015



DIN rail, unperforated, acc. to EN 60715, material: Steel, galvanized, passivated with a thick layer, G profile, color: silver, Pack of 10 (20 m)

DIN rail, unperforated

DIN rail, unperforated - NS 35/ 7,5 UNPERF 2000MM - 0801681



DIN rail, unperforated, acc. to EN 60715, material: Steel, galvanized, passivated with a thick layer, Standard profile, color: silver, Pack of 25 (50 m)

Component terminal block - UKK 5-2R/NAMUR

2941662

<https://www.phoenixcontact.com/in/products/2941662>

DIN rail, unperforated

DIN rail, unperforated - NS 35/ 7,5 WH UNPERF 2000MM-VPE 10 - 1204122



DIN rail, unperforated, acc. to EN 60715, material: Steel, Galvanized, white passivated, Standard profile, color: silver, Pack of 25 (50 m)

DIN rail, unperforated

DIN rail, unperforated - NS 35/ 7,5 AL UNPERF 2000MM - 0801704



DIN rail, unperforated, acc. to EN 60715, material: Aluminum, uncoated, Standard profile, color: silver, Pack of 25 (50 m)

Component terminal block - UKK 5-2R/NAMUR

2941662

<https://www.phoenixcontact.com/in/products/2941662>



DIN rail, unperforated

DIN rail, unperforated - NS 35/ 7,5 ZN UNPERF 2000MM - 1206434



DIN rail, unperforated, acc. to EN 60715, material: Steel, galvanized, Standard profile, color: silver, Pack of 25 (50 m)

DIN rail, unperforated

DIN rail, unperforated - NS 35/ 7,5 CU UNPERF 2000MM-VPE 10 - 0801762



DIN rail, unperforated, acc. to EN 60715, material: Copper, uncoated, Standard profile, color: copper-colored, Pack of 10 (20 m)

Component terminal block - UKK 5-2R/NAMUR

2941662

<https://www.phoenixcontact.com/in/products/2941662>

DIN rail, unperforated

DIN rail, unperforated - NS 35/15 UNPERF 2000MM - 1201714



DIN rail, unperforated, similar to EN 60715, material: Steel, galvanized, passivated with a thick layer, Standard profile, color: silver, Pack of 25 (50 m)

DIN rail, unperforated

DIN rail, unperforated - NS 35/15 WH UNPERF 2000MM-VPE 10 - 1204135



DIN rail, unperforated, similar to EN 60715, material: Steel, Galvanized, white passivated, Standard profile, color: silver, Pack of 10 (20 m)

Component terminal block - UKK 5-2R/NAMUR

2941662

<https://www.phoenixcontact.com/in/products/2941662>



DIN rail, unperforated

DIN rail, unperforated - NS 35/15 AL UNPERF 2000MM - 1201756



DIN rail, unperforated, similar to EN 60715, material: Aluminum, uncoated, Standard profile, color: silver

DIN rail, unperforated

DIN rail, unperforated - NS 35/15 ZN UNPERF 2000MM - 1206586



DIN rail, unperforated, similar to EN 60715, material: Steel, galvanized, Standard profile, color: silver, Pack of 25 (50 m)

Component terminal block - UKK 5-2R/NAMUR

2941662

<https://www.phoenixcontact.com/in/products/2941662>

DIN rail, unperforated

DIN rail, unperforated - NS 35/15 CU UNPERF 2000MM-VPE 10 - 1201895



DIN rail, unperforated, similar to EN 60715, material: Copper, uncoated, Standard profile, color: copper-colored, Pack of 10 (20 m)

DIN rail, unperforated

DIN rail, unperforated - NS 35/15-2,3 UNPERF 2000MM-VPE 10 - 1201798



DIN rail, unperforated, acc. to EN 60715, material: Steel, galvanized, passivated with a thick layer, Standard profile 2.3 mm, color: silver, Pack of 10 (20 m)

Component terminal block - UKK 5-2R/NAMUR

2941662

<https://www.phoenixcontact.com/in/products/2941662>

Zack marker strip

Zack marker strip - ZB 6:UNBEDRUCKT - 1051003



Zack marker strip, Strip, white, unlabeled, can be labeled with: PLOTMARK, CMS-P1-PLOTTER, mounting type: snap in, for terminal block width: 6.2 mm, lettering field size: 6.15 x 10.5 mm, Number of individual labels: 10

Zack marker strip

Zack marker strip - ZB 6 CUS - 0824992



Zack marker strip, can be ordered: Strip, white, labeled according to customer specifications, mounting type: snap into tall marker groove, for terminal block width: 6.2 mm, lettering field size: 6.15 x 10.5 mm, Number of individual labels: 10

Component terminal block - UKK 5-2R/NAMUR

2941662

<https://www.phoenixcontact.com/in/products/2941662>

Zack marker strip

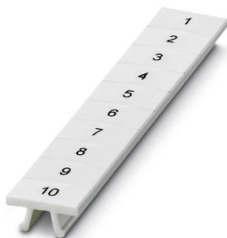
Zack marker strip - ZB 6,LGS:FORTL.ZAHLEN - 1051016



Zack marker strip, Strip, white, labeled, can be labeled with: CMS-P1-PLOTTER, printed horizontally: consecutive numbers 1 ... 10, 11 ... 20, etc. up to 491 ... 500, mounting type: snap into tall marker groove, for terminal block width: 6.2 mm, lettering field size: 6.15 x 10.5 mm, Number of individual labels: 10

Zack marker strip

Zack marker strip - ZB 6,QR:FORTL.ZAHLEN - 1051029



Zack marker strip, Strip, white, labeled, can be labeled with: CMS-P1-PLOTTER, Printed vertically: consecutive numbers 1 ... 10, 11 ... 20, etc. up to 491 ... 500, mounting type: snap into tall marker groove, for terminal block width: 6.2 mm, lettering field size: 6.15 x 10.5 mm, Number of individual labels: 10

Component terminal block - UKK 5-2R/NAMUR

2941662

<https://www.phoenixcontact.com/in/products/2941662>

Zack marker strip

Zack marker strip - ZB 6,LGS:GLEICHE ZAHLEN - 1051032



Zack marker strip, Strip, white, labeled, can be labeled with: CMS-P1-PLOTTER, printed horizontally: Identical numbers 1 or 2, etc. up to 100, mounting type: snap into tall marker groove, for terminal block width: 6.2 mm, lettering field size: 6.15 x 10.5 mm, Number of individual labels: 10

DIN rail perforated

DIN rail perforated - NS 32 PERF 2000MM-VPE 10 - 1201002



DIN rail perforated, acc. to EN 60715, material: Steel, galvanized, passivated with a thick layer, G profile, color: silver, Pack of 10 (20 m)

Component terminal block - UKK 5-2R/NAMUR

2941662

<https://www.phoenixcontact.com/in/products/2941662>

DIN rail perforated

DIN rail perforated - NS 35/ 7,5 PERF 2000MM - 0801733



DIN rail perforated, acc. to EN 60715, material: Steel, galvanized, passivated with a thick layer, Standard profile, color: silver, Pack of 25 (50 m)

DIN rail perforated

DIN rail perforated - NS 35/ 7,5 WH PERF 2000MM - 1204119



DIN rail perforated, acc. to EN 60715, material: Steel, Galvanized, white passivated, Standard profile, color: silver, Pack of 25 (50 m)

Component terminal block - UKK 5-2R/NAMUR

2941662

<https://www.phoenixcontact.com/in/products/2941662>

DIN rail perforated

DIN rail perforated - NS 35/ 7,5 ZN PERF 2000MM - 1206421



DIN rail perforated, acc. to EN 60715, material: Steel, galvanized, Standard profile, color: silver, Pack of 25 (50 m)

DIN rail perforated

DIN rail perforated - NS 35/15 PERF 2000MM - 1201730



DIN rail perforated, similar to EN 60715, material: Steel, galvanized, passivated with a thick layer, Standard profile, color: silver, Pack of 25 (50 m)

Component terminal block - UKK 5-2R/NAMUR

2941662

<https://www.phoenixcontact.com/in/products/2941662>

DIN rail perforated

DIN rail perforated - NS 35/15 WH PERF 2000MM - 0806602



DIN rail perforated, similar to EN 60715, material: Steel, Galvanized, white passivated, Standard profile, color: silver, Pack of 25 (50 m)

DIN rail perforated

DIN rail perforated - NS 35/15 ZN PERF 2000MM - 1206599



DIN rail perforated, similar to EN 60715, material: Steel, galvanized, Standard profile, color: silver, Pack of 25 (50 m)

Component terminal block - UKK 5-2R/NAMUR

2941662

<https://www.phoenixcontact.com/in/products/2941662>

Marker for terminal blocks

Marker for terminal blocks - ZB 6,LGS:L1-N,PE - 1051414



Marker for terminal blocks, Strip, white, labeled, can be labeled with: CMS-P1-PLOTTER, horizontal: L1, L2, L3, N, PE, L1, L2, L3, N, PE, mounting type: snap into tall marker groove, for terminal block width: 6.2 mm, lettering field size: 6.15 x 10.5 mm, Number of individual labels: 10

Marker for terminal blocks

Marker for terminal blocks - ZB 6,LGS:U-N - 1051430



Marker for terminal blocks, Strip, white, labeled, can be labeled with: CMS-P1-PLOTTER, printed horizontally: U, V, W, N, GND, U, V, W, N, GND, mounting type: snap into tall marker groove, for terminal block width: 6.2 mm, lettering field size: 6.15 x 10.5 mm, Number of individual labels: 10

Component terminal block - UKK 5-2R/NAMUR



2941662

<https://www.phoenixcontact.com/in/products/2941662>

Marker for terminal blocks

Marker for terminal blocks - UC-TM 6 - 0818085



Marker for terminal blocks, Sheet, white, unlabeled, can be labeled with: BLUEMARK ID COLOR, BLUEMARK ID, BLUEMARK CLED, PLOTMARK, CMS-P1-PLOTTER, mounting type: snap in, for terminal block width: 6.2 mm, lettering field size: 5.6 x 10.5 mm, Number of individual labels: 80

Marker for terminal blocks

Marker for terminal blocks - UC-TM 6 CUS - 0824589



Marker for terminal blocks, can be ordered: by sheet, white, labeled according to customer specifications, mounting type: snap into tall marker groove, for terminal block width: 6.2 mm, lettering field size: 5.6 x 10.5 mm, Number of individual labels: 80

Component terminal block - UKK 5-2R/NAMUR

2941662

<https://www.phoenixcontact.com/in/products/2941662>

Marker for terminal blocks

Marker for terminal blocks - UCT-TM 6 - 0828736



Marker for terminal blocks, Sheet, white, unlabeled, can be labeled with: TOPMARK NEO, TOPMARK LASER, BLUEMARK ID COLOR, BLUEMARK ID, BLUEMARK CLED, THERMOMARK PRIME, THERMOMARK CARD 2.0, THERMOMARK CARD, mounting type: snap in, for terminal block width: 6.2 mm, lettering field size: 5.6 x 10.5 mm, Number of individual labels: 60

Marker for terminal blocks

Marker for terminal blocks - UCT-TM 6 CUS - 0829602



Marker for terminal blocks, can be ordered: by sheet, white, labeled according to customer specifications, mounting type: snap into tall marker groove, for terminal block width: 6.2 mm, lettering field size: 5.6 x 10.5 mm, Number of individual labels: 60

Component terminal block - UKK 5-2R/NAMUR

2941662

<https://www.phoenixcontact.com/in/products/2941662>



Insertion bridge

Insertion bridge - EB 80- DIK WH - 2715788



Insertion bridge, pitch: 6.15 mm, color: white

Insertion bridge

Insertion bridge - EB 80- DIK RD - 2715953



Insertion bridge, pitch: 6.2 mm, color: red

Component terminal block - UKK 5-2R/NAMUR

2941662

<https://www.phoenixcontact.com/in/products/2941662>



Insertion bridge

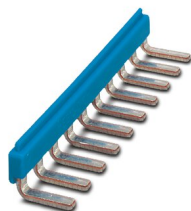
Insertion bridge - EB 80- DIK BU - 2715940



Insertion bridge, pitch: 6.2 mm, color: blue

Insertion bridge

Insertion bridge - EB 10- DIK BU - 2716680



Insertion bridge, pitch: 6.15 mm, color: blue

Component terminal block - UKK 5-2R/NAMUR

2941662

<https://www.phoenixcontact.com/in/products/2941662>



Insertion bridge

Insertion bridge - EB 5- DIK BU - 2716677



Insertion bridge, pitch: 6.15 mm, color: blue

Insertion bridge

Insertion bridge - EB 4- DIK BU - 2716664



Insertion bridge, pitch: 6.15 mm, color: blue

Component terminal block - UKK 5-2R/NAMUR

2941662

<https://www.phoenixcontact.com/in/products/2941662>



Insertion bridge

Insertion bridge - EB 3- DIK BU - 2716651



Insertion bridge, pitch: 6.15 mm, color: blue

Insertion bridge

Insertion bridge - EB 2- DIK BU - 2716648



Insertion bridge, pitch: 6.15 mm, color: blue

Component terminal block - UKK 5-2R/NAMUR

2941662

<https://www.phoenixcontact.com/in/products/2941662>



Insertion bridge

Insertion bridge - EB 10- DIK RD - 2716774



Insertion bridge, pitch: 6.15 mm, color: red

Insertion bridge

Insertion bridge - EB 5- DIK RD - 2716761



Insertion bridge, pitch: 6.15 mm, color: red

Component terminal block - UKK 5-2R/NAMUR

2941662

<https://www.phoenixcontact.com/in/products/2941662>



Insertion bridge

Insertion bridge - EB 4- DIK RD - 2716758



Insertion bridge, pitch: 6.15 mm, color: red

Insertion bridge

Insertion bridge - EB 3- DIK RD - 2716745



Insertion bridge, pitch: 6.15 mm, color: red

Component terminal block - UKK 5-2R/NAMUR

2941662

<https://www.phoenixcontact.com/in/products/2941662>



Insertion bridge

Insertion bridge - EB 2- DIK RD - 2716693

Insertion bridge, pitch: 6.15 mm, color: red



Phoenix Contact 2022 © - all rights reserved
<https://www.phoenixcontact.com>

PHOENIX CONTACT (I) Pvt. Ltd.
A-58/2, Okhla Industrial Area, Phase - II, New Delhi-110 020

+91.1275.71420
info@phoenixcontact.co.in

单击下面可查看定价，库存，交付和生命周期等信息

[>>Phoenix Contact\(菲尼克斯\)](#)