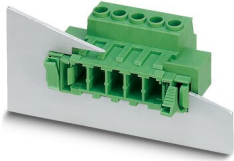


Feed-through plug - DFK-PC 5/ 3-ST-7,62

1716519

<https://www.phoenixcontact.com/in/products/1716519>

Please be informed that the data shown in this PDF document is generated from our Online Catalog. Please find the complete data in the user documentation. Our General Terms of Use for Downloads are valid.



Feed-through connector, nominal cross section: 6 mm², color: green, nominal current: 41 A, rated voltage (III/2): 1000 V, contact surface: Tin, type of contact: Male connector, number of potentials: 3, number of rows: 1, number of positions: 3, number of connections: 3, product range: DFK-PC 5/...-ST, pitch: 7.62 mm, connection method: Screw connection with tension sleeve, conductor/PCB connection direction: 0 °, plug-in system: POWER COMBICON 5, Pin connector pattern alignment: Standard, Locking: without, mounting: without, type of packaging: packed in cardboard

Your advantages

- Well-known connection principle allows worldwide use
- Low temperature rise, thanks to maximum contact force
- Allows connection of two conductors
- Flange system enables secure fixing to the housing panel by means of tool-free snap-in locking or screws

Feed-through plug - DFK-PC 5/ 3-ST-7,62



1716519

<https://www.phoenixcontact.com/in/products/1716519>

Commercial Data

Order Key	1716519
Packing unit	10 pc
Minimum order quantity	10 pc
Sales Key	AAB
Product Key	AADWEA
Catalog Page	Page 548 (C-1-2013)
GTIN	4046356137133
Weight per Piece (including packing)	22.61 g
Weight per Piece (excluding packing)	18 g
Customs tariff number	85366990
Country of origin	PL

Feed-through plug - DFK-PC 5/ 3-ST-7,62



1716519

<https://www.phoenixcontact.com/in/products/1716519>

Technical Data

Product properties

Type	Feed-through header
Number of positions	3
Number of connections	3
Number of rows	1
Connector system	POWER COMBICON 5
Mounting flange	without
Number of potentials	3

Electrical properties

Maximum load current	41 A
Rated voltage (II/2)	1000 V
Rated voltage (III/2)	1000 V
Rated surge voltage (II/2)	6 kV
Rated surge voltage (III/2)	8 kV
Rated surge voltage (III/3)	8 kV
Nominal voltage U_N	630 V
Nominal current I_N	41 A
Nominal current I_N	41 A

Connection data

Connection technology

Type	Feed-through header
Connector system	POWER COMBICON 5
Nominal cross section	6 mm ²
Type of contact	Male connector

Interlock

Locking type	without
Mounting flange	without

Conductor connection

Connection method	Screw connection with tension sleeve
Connection direction of the conductor to plug-in direction	0 °
Conductor cross section solid	0.2 mm ² ... 10 mm ²
Conductor cross section flexible	0.2 mm ² ... 6 mm ²
Conductor cross section AWG	24 ... 10
Conductor cross section flexible, with ferrule without plastic sleeve	0.25 mm ² ... 6 mm ²
Conductor cross section, flexible, with ferrule, with plastic sleeve	0.25 mm ² ... 4 mm ²
2 conductors with same cross section, solid	0.2 mm ² ... 2.5 mm ²
2 conductors with same cross section, flexible	0.2 mm ² ... 4 mm ²

Feed-through plug - DFK-PC 5/ 3-ST-7,62

1716519

<https://www.phoenixcontact.com/in/products/1716519>

2 conductors with same cross section, flexible, with ferrule without plastic sleeve	0.25 mm ² ... 1.5 mm ²
2 conductors with the same cross section, flexible, with TWIN ferrule with plastic sleeve	0.25 mm ² ... 2.5 mm ²
Cylindrical gauge a x b / diameter	3.6 mm x 3.1 mm / 3.4 mm
Stripping length	10 mm
Torque	0.7 Nm ... 0.8 Nm

Material specifications

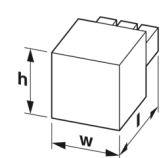
Material data - contact

Note	WEEE/RoHS-compliant, free of whiskers according to IEC 60068-2-82/JEDEC JESD 201
Contact material	Cu alloy
Surface characteristics	hot-dip tin-plated
Metal surface terminal point (top layer)	Tin (4 - 8 µm Sn)
Metal surface contact area (top layer)	Tin (4 - 8 µm Sn)

Material data - housing

Housing color	green (6021)
Insulating material	PA
Insulating material group	I
CTI according to IEC 60112	600
Flammability rating according to UL 94	V0
Glow wire flammability index GWFI according to EN 60695-2-12	850
Glow wire ignition temperature GWIT according to EN 60695-2-13	775
Temperature for the ball pressure test according to EN 60695-10-2	125 °C

Dimensions

Dimensional drawing	
Width	48.36 mm
Height	26.24 mm
Installed height	26.24 mm
Length	48.93 mm
Pitch	7.62 mm

Electrical tests

Electrical properties

Rated voltage (III/2)	1000 V
-----------------------	--------

Feed-through plug - DFK-PC 5/ 3-ST-7,62



1716519

<https://www.phoenixcontact.com/in/products/1716519>

Rated surge voltage (III/2)	8 kV
Pollution degree	2

Insulation resistance

Specification	IEC 60512-3-1:2002-02
Insulation resistance, neighboring positions	> 5 MΩ

Air clearances and creepage distances |

Specification	IEC 60664-1:2007-04
Insulating material group	I
Comparative tracking index (IEC 60112:2003-01)	CTI 600
Rated insulation voltage (III/3)	630 V
Rated surge voltage (III/3)	8 kV
minimum clearance value - non-homogenous field (III/3)	8 mm
minimum creepage distance (III/3)	8 mm
Rated insulation voltage (III/2)	1000 V
Rated surge voltage (III/2)	8 kV
minimum clearance value - non-homogenous field (III/2)	8 mm
minimum creepage distance (III/2)	5 mm
Rated insulation voltage (II/2)	1000 V
Rated surge voltage (II/2)	6 kV
minimum clearance value - non-homogenous field (II/2)	5.5 mm
minimum creepage distance (II/2)	5 mm

Environmental and real-life conditions

Ambient conditions

Ambient temperature (operation)	-40 °C ... 100 °C (dependent on the derating curve)
Ambient temperature (storage/transport)	-40 °C ... 70 °C
Relative humidity (storage/transport)	30 % ... 70 %
Ambient temperature (assembly)	-5 °C ... 100 °C

Packaging specifications

Type of packaging	packed in cardboard
-------------------	---------------------

Feed-through plug - DFK-PC 5/ 3-ST-7,62

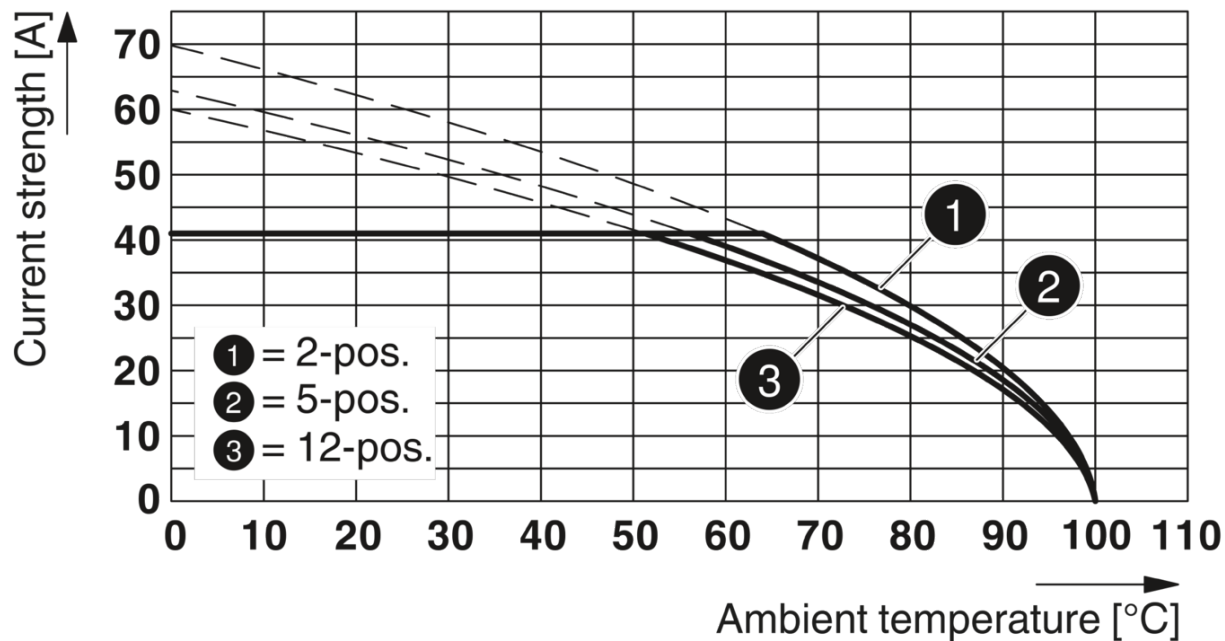


1716519

<https://www.phoenixcontact.com/in/products/1716519>

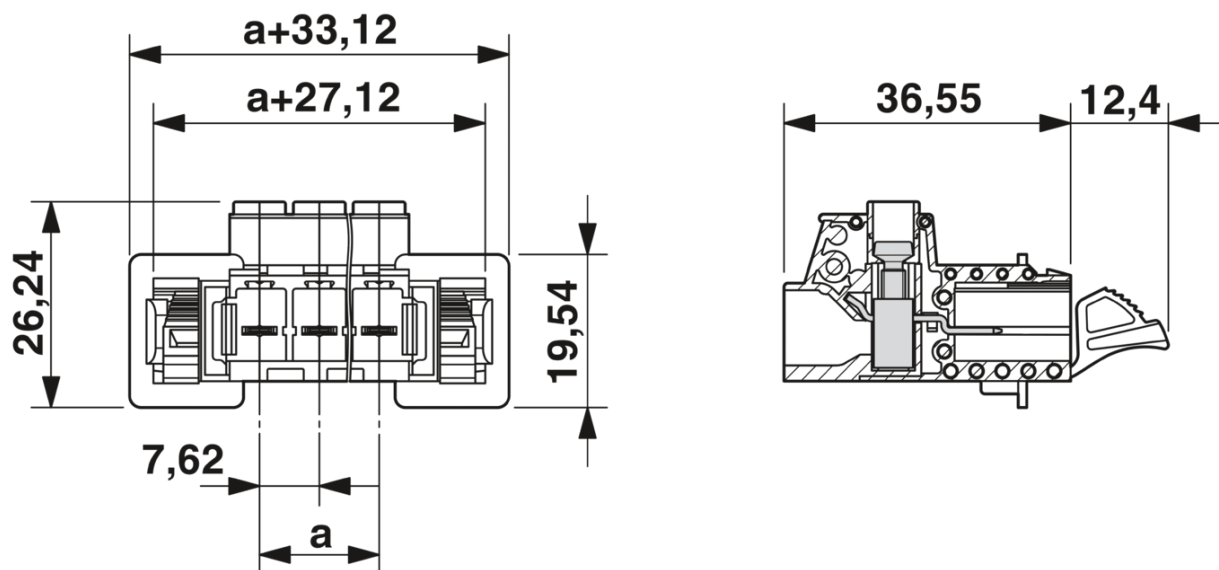
Drawings

Diagram



Type: SPC 5/...-ST-7,62 with DFK-PC 5/...-ST-7,62

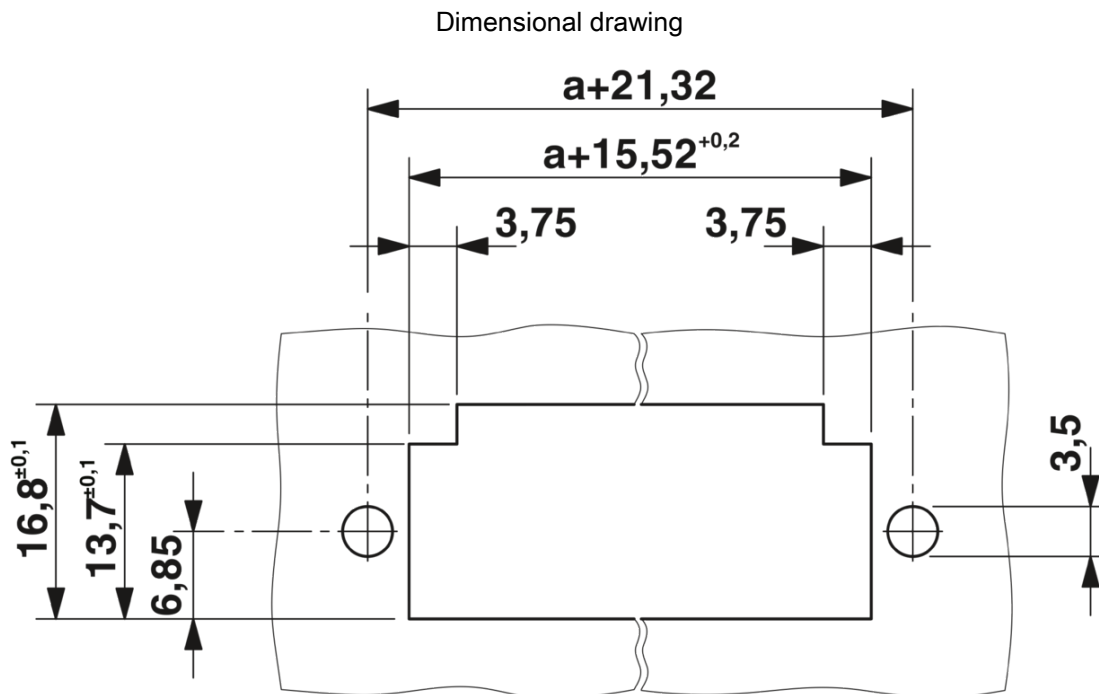
Dimensional drawing



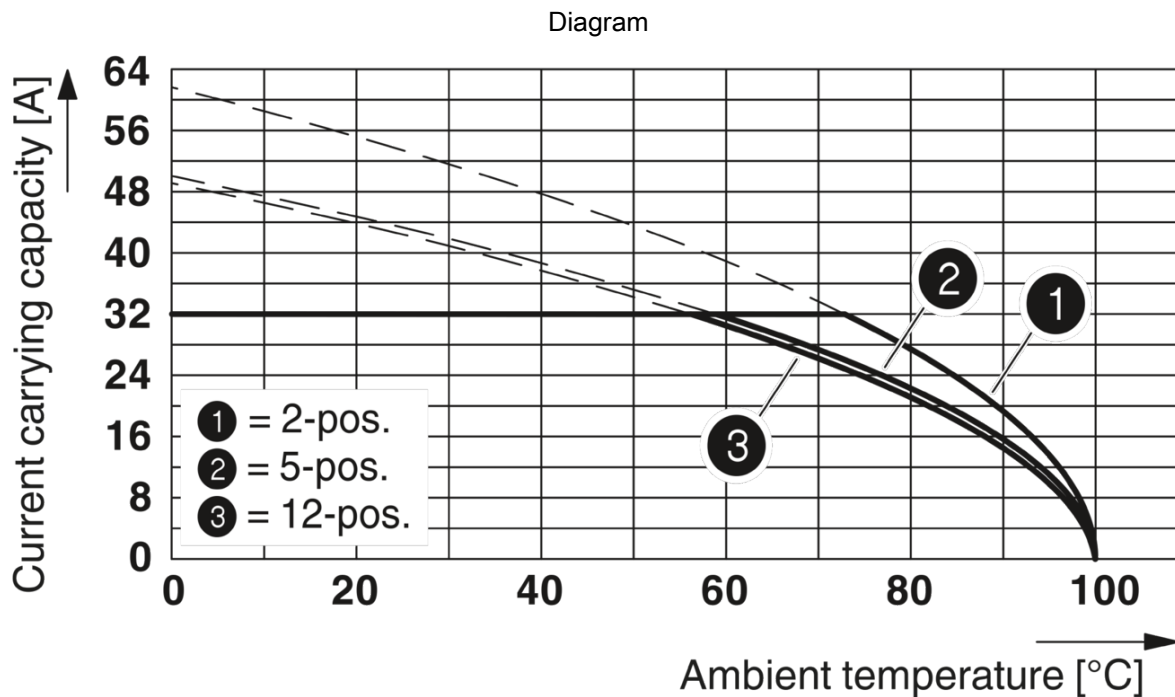
Feed-through plug - DFK-PC 5/ 3-ST-7,62

1716519

<https://www.phoenixcontact.com/in/products/1716519>



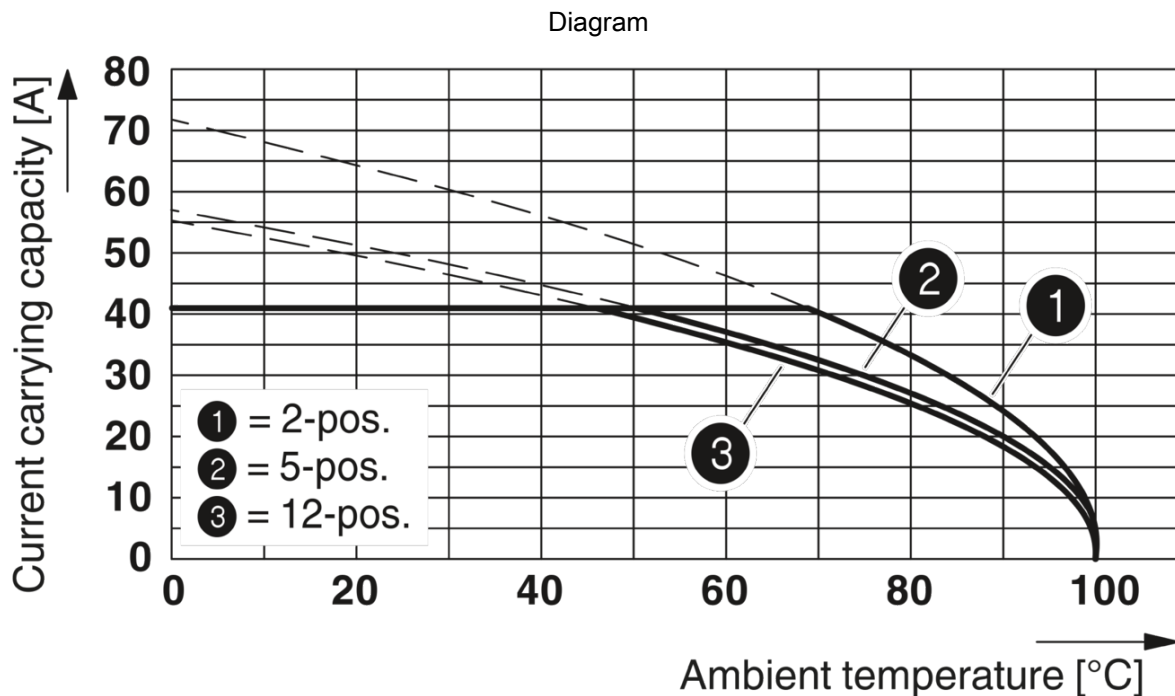
Sheet metal cutout for screw connection.



Derating curve for: DFK-PC 5/...-ST-7,62 with PC 5/...-ST-7,62
 Conductor cross section = 6 mm²

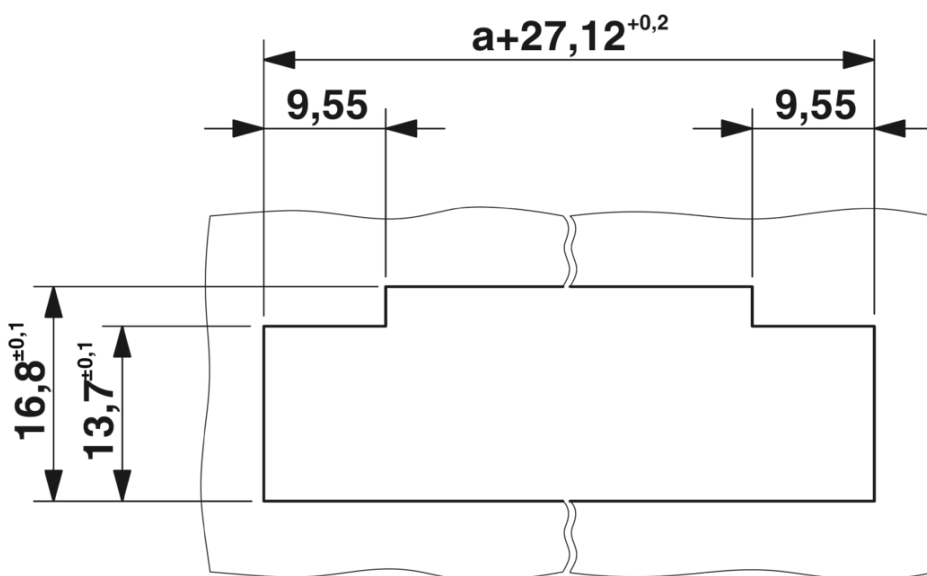
1716519

<https://www.phoenixcontact.com/in/products/1716519>



Derating curve for: DFK-PC 5/...-ST-7,62 with PC 5/...-ST-7,62
 Conductor cross section = 10 mm²

Dimensional drawing



Sheet metal cutout for snap-on.

Feed-through plug - DFK-PC 5/ 3-ST-7,62




1716519

<https://www.phoenixcontact.com/in/products/1716519>

Approvals

EAC	EN
-----	----

cULus Recognized 	Nominal Voltage U_N	Nominal Current I_N	Cross Section AWG	Cross Section mm^2
Use group B	600 V	41 A	24 - 8	-
Use group C	600 V	41 A	24 - 8	-

Feed-through plug - DFK-PC 5/ 3-ST-7,62



1716519

<https://www.phoenixcontact.com/in/products/1716519>

Classifications

ECLASS

ECLASS-9.0	27440309
ECLASS-10.0.1	27440309
ECLASS-11.0	27460202

ETIM

ETIM 6.0	EC002638
----------	----------

UNSPSC

UNSPSC 19.0	39121409
UNSPSC 20.0	39121409
UNSPSC 21.0	39121409

Feed-through plug - DFK-PC 5/ 3-ST-7,62



1716519

<https://www.phoenixcontact.com/in/products/1716519>

Environmental Product Compliance

China RoHS	Environmentally Friendly Use Period = 50 years For details about hazardous substances go to tab "Downloads", Category "Manufacturer's declaration"
------------	--

Feed-through plug - DFK-PC 5/ 3-ST-7,62

1716519

<https://www.phoenixcontact.com/in/products/1716519>



Accessories

Accessories

Accessories - DFK-PC 16-SS - 1705449



Screw set for DFK-PC 16... connectors

Accessories

Accessories - DFK-PC MOUNT SET - 1054021



Contains 20 pcs. latch and screw elements for feed-through connectors each

Feed-through plug - DFK-PC 5/ 3-ST-7,62

1716519

<https://www.phoenixcontact.com/in/products/1716519>

Marker card

Marker card - SK 7,62/3,8:FORTL.ZAHLEN - 0804549

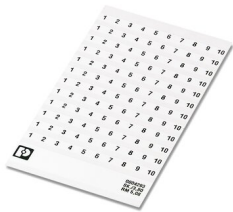
Marker card, Card, white, labeled, horizontal: consecutive numbers 1 ... 10, 11 ... 20, etc. up to 91 ... 100, mounting type: adhesive, for terminal block width: 7.62 mm, lettering field size: 7.62 x 3.8 mm



Marker card

Marker card - SK 3,8 REEL P7,62 WH CUS - 0825128

Marker card, Card, can be ordered: by card, white, labeled according to customer specifications, mounting type: adhesive, for terminal block width: 7.62 mm, lettering field size: continuous x 3.8 mm



Feed-through plug - DFK-PC 5/ 3-ST-7,62



1716519

<https://www.phoenixcontact.com/in/products/1716519>

Marker card

Marker card - SK U/3,8 WH:UNBEDRUCKT - 0803906

Marker card, Sheet, white, unlabeled, can be labeled with: PLOTMARK, CMS-P1-PLOTTER, Office printing systems, mounting type: adhesive, for terminal block width: 210 mm, lettering field size: 186 x 3.8 mm, Number of individual labels: 1440



Philips screwdriver

Philips screwdriver - SZK PZ1 VDE - 1206450

Screwdriver, PZ crosshead, VDE insulated, size: PZ 1 x 80 mm, 2-component grip, with non-slip grip



Feed-through plug - DFK-PC 5/ 3-ST-7,62



1716519

<https://www.phoenixcontact.com/in/products/1716519>

Marker strip

Marker strip - SK 3,8 WH:REEL - 0805218



Marker strip, Roll, white, unlabeled, can be labeled with: THERMOMARK ROLL 2.0, THERMOMARK ROLL, THERMOMARK ROLL X1, THERMOMARK ROLLMASTER 300/600, THERMOMARK X1.2, mounting type: adhesive, for terminal block width: 90000 mm, lettering field size: continuous x 3.8 mm, Number of individual labels: 210000

Coding profile

Coding profile - CP-PC RD - 1701967

Coding profile, for plugging into the coding ribs of the plug at a later date, insulating material, color: Red



Phoenix Contact 2022 © - all rights reserved
<https://www.phoenixcontact.com>

PHOENIX CONTACT (I) Pvt. Ltd.
A-58/2, Okhla Industrial Area, Phase - II, New Delhi-110 020

+91.1275.71420
info@phoenixcontact.co.in

单击下面可查看定价，库存，交付和生命周期等信息

[>>Phoenix Contact \(菲尼克斯\)](#)