

Sensor/actuator box - SACB-4/ 8-C SCO P



1452754

<https://www.phoenixcontact.com/in/products/1452754>

Please be informed that the data shown in this PDF document is generated from our Online Catalog. Please find the complete data in the user documentation. Our General Terms of Use for Downloads are valid.



Sensor/actuator box, application: Standard, connection method: M12-SPEEDCON-socket Plastic, number of slots: 4, number of positions: 5, coding: A - standard, slot assignment: Double, status display: No, Universal; master cable connection: Pluggable screw connection 180°, shielding: no

Your advantages

- Safety in the field, thanks to molded housing and high degree of protection
- Save space: distributor box with double occupancy for two sensors in one slot
- Save time, thanks to installation with SPEEDCON fast locking system
- Flexible: distributor box with connector hood for on-site assembly

Sensor/actuator box - SACB-4/ 8-C SCO P



1452754

<https://www.phoenixcontact.com/in/products/1452754>

Commercial Data

Order Key	1452754
Packing unit	1 pc
Minimum order quantity	1 pc
Sales Key	BF3
Product Key	BF3CBD
Catalog Page	Page 263 (C-2-2019)
GTIN	4046356553490
Weight per Piece (including packing)	170.8 g
Weight per Piece (excluding packing)	117 g
Customs tariff number	85366990
Country of origin	DE

Sensor/actuator box - SACB-4/ 8-C SCO P



1452754

<https://www.phoenixcontact.com/in/products/1452754>

Technical Data

Notes

Note regarding documentation	For details about the PCB connectors used, refer to the technical data for MC 1,5/10-STF-3,5 (1847204)
Assembly instruction:	NOTE: Observe the permissible bending radii when laying conductors, since the degree of protection may be put in jeopardy if the bending forces are too high. Alleviate mechanical loads upstream of the connector, e.g. by using cable ties.
Note on application	Unused slots are to be sealed off prior to commissioning. Suitable sealing elements are to be found under "Accessories".

Product properties

Number of positions	5
Application	Standard
Number of slots	4
Coding	A - standard

Dimensions

Dimensional drawing	
Width	54 mm
Height	43 mm
Length	117 mm

Ambient conditions

Degree of protection	IP65 IP67
Ambient temperature (operation)	-25 °C ... 80 °C

LED signaling

Status display present	No
------------------------	----

Electrical properties

Nominal voltage U_N	120 V AC 120 V DC
Rated current, total	10 A
Max. current carrying capacity per path	2 A
Current carrying capacity per slot	4 A

Sensor/actuator box - SACB-4/ 8-C SCO P



1452754

<https://www.phoenixcontact.com/in/products/1452754>

Connection data

Pin assignment

Slot/position = Wire color or connection	1 / 4 (A) = WH
	1 / 2 (B) = GY/PK
	2 / 4 (A) = GN
	2 / 2 (B) = RD/BU
	3 / 4 (A) = YE
	3 / 2 (B) = WH/GN
	4 / 4 (A) = GY
	4 / 2 (B) = BN/GN
	1-4 / 1 (+ 120 V) = BN
	1-4 / 3 (0 V) = BU
	1-4 / 5 (PE) = GN/YE

Material specifications

Color	anthracite
Flammability rating according to UL 94	V0
Sealing material	NBR (Connector hood)
Material of threaded sleeve	PBT
Contact material	Cu alloy
Contact surface material	gold-plated
Contact carrier material	PA
Material of contact, master cable side	CU alloy
Material of the contact carrier on the master cable side	PA
Material of contact surface, master cable side	Sn
O-ring material	NBR
Material of the moulding mass	PUR
Housing material	PBT

Cable / line

Master cable data/connection data

Sensor/actuator connection system	M12-SPEEDCON-socket
Connection method	Pluggable screw connection
External cable diameter	7 mm ... 12 mm
Metric conductor cross section (Signal)	0.14 mm ² ... 1.5 mm ²
Cross section AWG (Signal)	26 ... 16
Stripping length (signal)	7 mm
Metric conductor cross section (Power)	0.14 mm ² ... 1.5 mm ²
Cross section AWG (Power)	26 ... 16
Stripping length (power)	7 mm
Stripping length for sheath	50 mm (Master cable)
Tightening torque, cover screw	1 Nm

Sensor/actuator box - SACB-4/ 8-C SCO P



1452754

<https://www.phoenixcontact.com/in/products/1452754>

Tightening torque of mounting screw for fixing the housing	0.5 Nm
Tightening torque slot sensor/actuator cable	0.4 Nm
Tightening torque, union nut	2.5 Nm

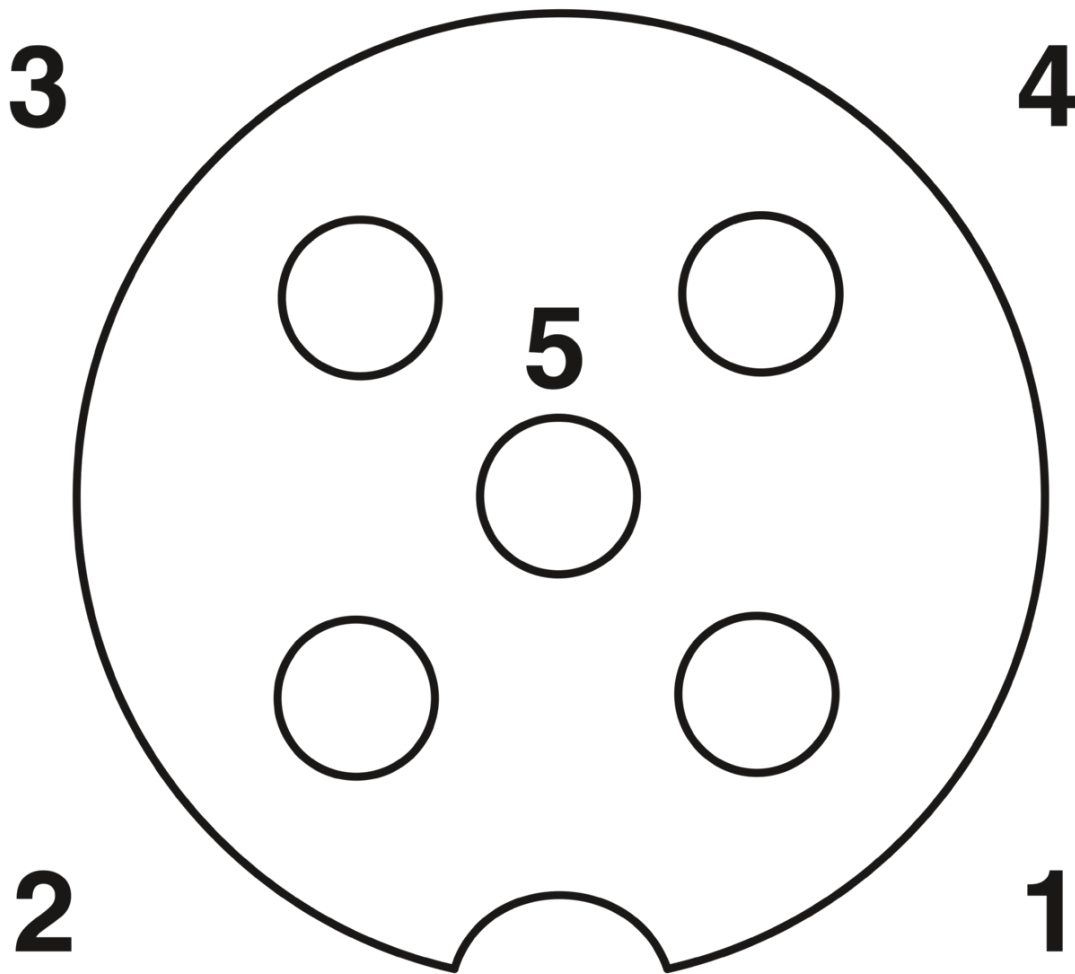
Standards and regulations

M12

Standards/specifications	IEC 61076-2-101
--------------------------	-----------------

Drawings

Schematic diagram



M12 slot, socket, 5-pos.

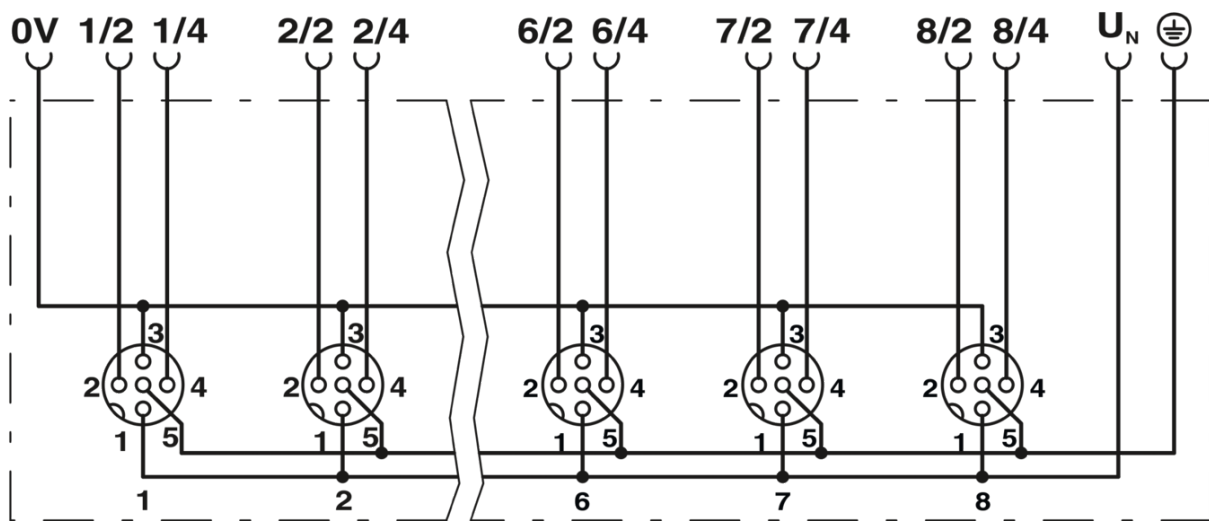
Sensor/actuator box - SACB-4/ 8-C SCO P



1452754

<https://www.phoenixcontact.com/in/products/1452754>

Circuit diagram

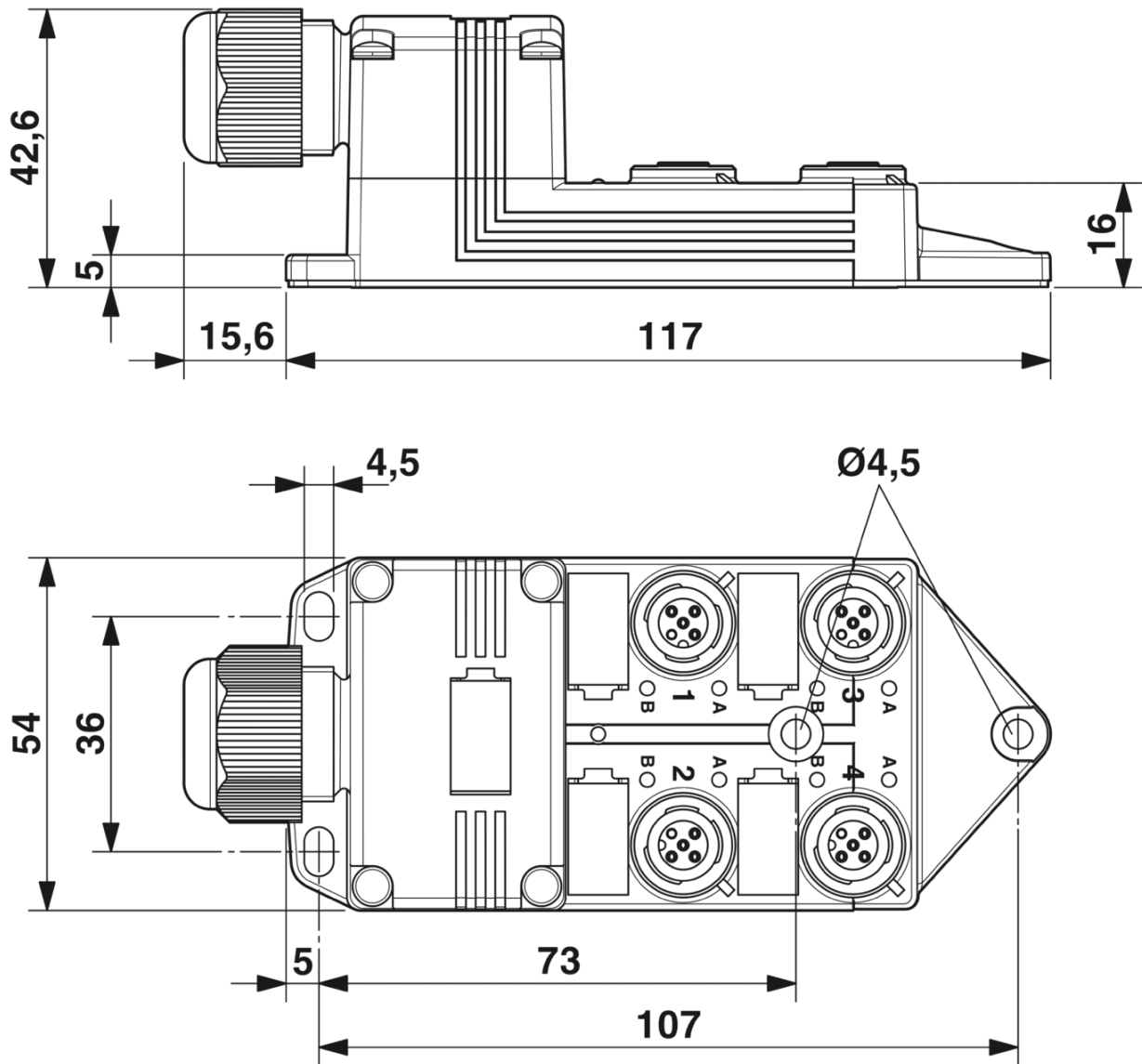


Sensor/actuator box - SACB-4/ 8-C SCO P

1452754

<https://www.phoenixcontact.com/in/products/1452754>

Dimensional drawing




Sensor/actuator box - SACB-4/ 8-C SCO P





1452754


<https://www.phoenixcontact.com/in/products/1452754>

Approvals

cUL Recognized 	Nominal Voltage U_N	Nominal Current I_N	Cross Section AWG	Cross Section mm^2
	120 V		-	-

UL Recognized 	Nominal Voltage U_N	Nominal Current I_N	Cross Section AWG	Cross Section mm^2
	120 V		-	-

EAC 
--

EAC 
--

cULus Recognized

Sensor/actuator box - SACB-4/ 8-C SCO P



1452754

<https://www.phoenixcontact.com/in/products/1452754>

Classifications

ECLASS

ECLASS-9.0	27440108
ECLASS-10.0.1	27440111
ECLASS-11.0	27440111

ETIM

ETIM 6.0	EC002585
----------	----------

UNSPSC

UNSPSC 19.0	31251501
UNSPSC 20.0	31251501
UNSPSC 21.0	31251501

Sensor/actuator box - SACB-4/ 8-C SCO P



1452754

<https://www.phoenixcontact.com/in/products/1452754>

Environmental Product Compliance

REACH SVHC	Lead 7439-92-1
China RoHS	Environmentally Friendly Use Period = 50 years For details about hazardous substances go to tab "Downloads", Category "Manufacturer's declaration"

Sensor/actuator box - SACB-4/ 8-C SCO P



1452754

<https://www.phoenixcontact.com/in/products/1452754>

Accessories

DIN rail adapter

DIN rail adapter - UTA 107 - 2853983

Universal DIN rail adapter, for screwing on switchgear



Screw plug

Screw plug - PROT-MS SCO - 1553129

M12 screw plug with fast-locking system for unoccupied M12 female connectors of sensor/actuator cables, boxes, and flush-type connectors



Sensor/actuator box - SACB-4/ 8-C SCO P

1452754

<https://www.phoenixcontact.com/in/products/1452754>

Screwdriver

Screwdriver - SZS 0,4X2,5 VDE - 1205037



Screwdriver, slot-headed, VDE insulated, size: 0.4 x 2.5 x 80 mm, 2-component grip, with non-slip grip

Screwdriver

Screwdriver - SF-M BH - 1212070



Bit screwdriver, with 1/4" quick-action chuck, handle length 119 mm, 2-component handle, with non-slip grip, suitable for bits according to DIN 3126-C 6.3 and E 6.3/ISO 1173, magnetic

Sensor/actuator box - SACB-4/ 8-C SCO P



1452754

<https://www.phoenixcontact.com/in/products/1452754>

Snap-in markers

Snap-in markers - UC-EM (17,5X9) - 0827490



Snap-in markers, Sheet, white, unlabeled, can be labeled with: BLUEMARK ID, BLUEMARK ID COLOR, BLUEMARK CLED, BLUEMARK LED, CMS-P1-PLOTTER, PLOTMARK, mounting type: snap in, lettering field size: 17.5 x 9 mm, Number of individual labels: 20

Snap-in markers

Snap-in markers - UC-EM (17,5X9) CUS - 0828238



Snap-in markers, can be ordered: by sheet, white, labeled according to customer specifications, mounting type: snapped into marker carrier, lettering field size: 17.5 x 9 mm, Number of individual labels: 20

Sensor/actuator box - SACB-4/ 8-C SCO P

1452754

<https://www.phoenixcontact.com/in/products/1452754>

Snap-in markers

Snap-in markers - UCT-EM (17,5X9) - 0801491



Snap-in markers, Sheet, white, unlabeled, can be labeled with: TOPMARK NEO, TOPMARK LASER, BLUEMARK ID COLOR, BLUEMARK ID, BLUEMARK CLED, THERMOMARK PRIME, THERMOMARK CARD 2.0, THERMOMARK CARD, mounting type: snap in, lettering field size: 17.5 x 9 mm, Number of individual labels: 24

Snap-in markers

Snap-in markers - UCT-EM (17,5X9) CUS - 0801575



UniCard sheet, for labeling devices from other manufacturers, for overview table see download area, labeled according to customer specifications

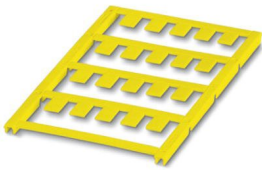
Sensor/actuator box - SACB-4/ 8-C SCO P

1452754

<https://www.phoenixcontact.com/in/products/1452754>

Snap-in markers

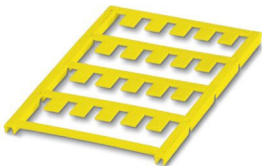
Snap-in markers - UC-EM (17,5X9) YE - 0827494



Snap-in markers, Sheet, yellow, unlabeled, can be labeled with: BLUEMARK ID COLOR, BLUEMARK ID, BLUEMARK CLED, PLOTMARK, CMS-P1-PLOTTER, mounting type: snap in, lettering field size: 17.5 x 9 mm, Number of individual labels: 20

Snap-in markers

Snap-in markers - UC-EM (17,5X9) YE CUS - 0828239



Snap-in markers, can be ordered: by sheet, yellow, labeled according to customer specifications, mounting type: snapped into marker carrier, lettering field size: 17.5 x 9 mm, Number of individual labels: 20

Sensor/actuator box - SACB-4/ 8-C SCO P



1452754

<https://www.phoenixcontact.com/in/products/1452754>

Snap-in markers

Snap-in markers - UCT-EM (17,5X9) YE - 0801492



Snap-in markers, Sheet, yellow, unlabeled, can be labeled with: TOPMARK NEO, TOPMARK LASER, BLUEMARK ID COLOR, BLUEMARK ID, BLUEMARK CLED, THERMOMARK PRIME, THERMOMARK CARD 2.0, THERMOMARK CARD, mounting type: snap in, lettering field size: 17.5 x 9 mm, Number of individual labels: 24

Snap-in markers

Snap-in markers - UCT-EM (17,5X9) YE CUS - 0801576



UniCard sheet, for labeling devices from other manufacturers, for overview table see download area, labeled according to customer specifications

Sensor/actuator box - SACB-4/ 8-C SCO P



1452754

<https://www.phoenixcontact.com/in/products/1452754>

Screw insert

Screw insert - SF-BIT-PZ 2-50 - 1212592



Screw bit, PZ crosshead, E6.3-1/4" drive, size: PZ 2 x 50 mm, hardened, suitable for holder according to DIN 3126-F6.3/ISO 1173

Screw insert

Screw insert - SF-BIT-SL 0,45X2,4-70 - 1212607



Screw bit, slotted, E6.3-1/4" drive, size: 0.45 x 2.4 x 70 mm, hardened, suitable for holder according to DIN 3126-F6.3/ISO 1173

Sensor/actuator box - SACB-4/ 8-C SCO P

1452754

<https://www.phoenixcontact.com/in/products/1452754>

Philips screwdriver

Philips screwdriver - SZK PZ2 VDE - 1206463



Screwdriver, PZ crosshead, VDE insulated, size: PZ 2 x 100 mm, 2-component grip, with non-slip grip

Torque screwdriver

Torque screwdriver - TSD 04 SAC - 1208429



Torque screwdriver, with preset torque of 0.4 Nm and 4 mm hexagonal drive for M12 connectors

Sensor/actuator box - SACB-4/ 8-C SCO P

1452754

<https://www.phoenixcontact.com/in/products/1452754>

Torque screwdriver

Torque screwdriver - TSD-M 1,2NM - 1212224



Torque screw driver, accuracy as per EN ISO 6789 standard, adjustable from 0.3 - 1.2 Nm

Torque screwdriver

Torque screwdriver - TSD 25 SAC - 1212315



Torque screwdriver, with preset torque of 2.5 Nm and 4 mm hexagonal drive for the pressure nut of the connector hood

Sensor/actuator box - SACB-4/ 8-C SCO P



1452754

<https://www.phoenixcontact.com/in/products/1452754>

Torque screwdriver

Torque screwdriver - TSD-M 3NM - 1212225



Torque screw driver, accuracy as per EN ISO 6789 standard, adjustable from 1.2 - 3 Nm

Master cable ring

Master cable ring - SACB- 8X0,5/ 3X1,0-50,0 PUR - 1503357



Master cable for sensor/actuator boxes, with PE conductor, unshielded, material PUR/PVC, 11-pos., 8 x 0.50 mm² and 3 x 1.00 mm², length: 50 m

Sensor/actuator box - SACB-4/ 8-C SCO P



1452754

<https://www.phoenixcontact.com/in/products/1452754>

Master cable ring

Master cable ring - SACB-8X0,5/3X1,0-50,0 HPUR - 1401690

Master cable ring, application: Distributor boxes, number of positions: 11, cable length: 50 m



Adapter insert

Adapter insert - TSD-M SAC-BIT ADAPTER - 1212600

Adapter bit for TSD-M...torque tools, E6.3-1/4" drive with 4 mm hexagon to accommodate SAC bits



Sensor/actuator box - SACB-4/ 8-C SCO P

1452754

<https://www.phoenixcontact.com/in/products/1452754>

Tool

Tool - SAC BIT M12-D15 - 1208432



Nut for assembling sensor/actuator cables with M12 connector and M12 connectors for assembly, with a knurl diameter of 15 mm, for 4 mm hexagonal drive

Tool

Tool - SACC BIT M12-D20 - 1208445



Nut for assembling M12 connectors for assembly with a knurl diameter of 20 mm, for 4 mm hexagonal drive

Sensor/actuator box - SACB-4/ 8-C SCO P



1452754

<https://www.phoenixcontact.com/in/products/1452754>

Tool

Tool - SAC BIT HOOD-W 24 - 1212486

Nut for assembling pressure nuts with 24 mm wrench size, for 4 mm hexagonal drive



Phoenix Contact 2022 © - all rights reserved
<https://www.phoenixcontact.com>

PHOENIX CONTACT (I) Pvt. Ltd.
A-58/2, Okhla Industrial Area, Phase - II, New Delhi-110 020

+91.1275.71420
info@phoenixcontact.co.in

单击下面可查看定价，库存，交付和生命周期等信息

[>>Phoenix Contact\(菲尼克斯\)](#)