

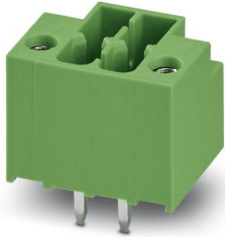
Printed-circuit board connector - DMCV 1,5/12-G1F-3,5-LR P35



1054073

<https://www.phoenixcontact.com/il/products/1054073>

Please be informed that the data shown in this PDF document is generated from our Online Catalog. Please find the complete data in the user documentation. Our General Terms of Use for Downloads are valid.



PCB headers, nominal cross section: 1.5 mm², color: green, nominal current: 8 A, rated voltage (III/2): 160 V, contact surface: Tin, type of contact: Male connector, number of potentials: 24, number of rows: 2, number of positions: 12, number of connections: 24, product range: DMCV 1,5/...-G1F, pitch: 3.5 mm, mounting: Wave soldering, pin layout: Linear double pinning, solder pin [P]: 3.5 mm, number of solder pins per potential: 1, plug-in system: MINI COMBICON - DFMC 1,5, Pin connector pattern alignment: Standard, Locking: Snap-in locking, mounting: Lock & release threaded flange, type of packaging: packed in cardboard

Your advantages

- Automatic locking and intuitive release through Lock and Release operating lever in contrasting color
- Conductor connection on several levels enables higher contact density
- Small component size for applications where space is at a premium
- Vertical connection enables multi-row arrangement on the PCB

Printed-circuit board connector - DMCV 1,5/12-G1F-3,5-LR P35



1054073

<https://www.phoenixcontact.com/il/products/1054073>

Commercial Data

Order Key	1054073
Packing unit	50 pc
Minimum order quantity	1 pc
Note	Made to Order (non-returnable)
Product Key	AABSJD
GTIN	4055626688367
Weight per Piece (including packing)	5.6 g
Weight per Piece (excluding packing)	5.6 g
Customs tariff number	85366930
Country of origin	CN

Printed-circuit board connector - DMCV 1,5/12-G1F-3,5-LR P35



1054073

<https://www.phoenixcontact.com/il/products/1054073>

Technical Data

Product properties

Number of positions	12
Number of connections	24
Number of rows	2
Connector system	MINI COMBICON - DFMC 1,5
Number of potentials	24
Pin layout	Linear double pinning

Electrical properties

Maximum load current	8 A
Rated voltage (II/2)	250 V
Rated voltage (III/2)	160 V
Rated surge voltage (II/2)	2.5 kV
Rated surge voltage (III/2)	2.5 kV
Rated surge voltage (III/3)	2.5 kV
Nominal voltage U_N	160 V
Nominal current I_N	8 A
Nominal current I_N	8 A

Material specifications

Material data - contact

Note	WEEE/RoHS-compliant, free of whiskers according to IEC 60068-2-82/JEDEC JESD 201
Contact material	Cu alloy
Surface characteristics	Tin-plated
Metal surface contact area (top layer)	Tin (4 - 8 μm Sn)
Metal surface contact area (middle layer)	Nickel (1.5 - 4 μm Ni)
Metal surface soldering area (top layer)	Tin (4 - 8 μm Sn)
Metal surface soldering area (middle layer)	Nickel (1.5 - 4 μm Ni)

Material data - housing

Housing color	green (6021)
Insulating material	PBT
Insulating material group	IIIa
CTI according to IEC 60112	225
Flammability rating according to UL 94	V0

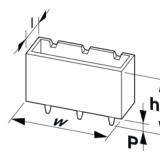
Dimensions

Printed-circuit board connector - DMCV 1,5/12-G1F-3,5-LR P35



1054073

<https://www.phoenixcontact.com/il/products/1054073>

Dimensional drawing	
Width	49 mm
Height	13.5 mm
Installed height	10 mm
Length of the solder pin	3.5 mm
Length	10.6 mm
Length of the solder pin	3.5 mm
Pin dimensions	0.8 x 0.8 mm
Hole diameter	1.2 mm
Pitch	3.5 mm

PCB design	
Pin spacing	5.50 mm

Mechanical tests

Test for conductor damage and slackening	
Specification	IEC 60999-1:1999-11
Result	Test passed

Repeated connection and disconnection	
Specification	IEC 60999-1:1999-11
Result	Test passed

Pull-out test	
Specification	IEC 60999-1:1999-11
Conductor cross section/conductor type/tractive force setpoint/actual value	0.2 mm ² / solid / > 10 N
	0.2 mm ² / flexible / > 10 N
	1.5 mm ² / solid / > 40 N
	1.5 mm ² / flexible / > 40 N

Insertion and withdrawal forces	
Result	Test passed
No. of cycles	25
Insertion strength per pos. approx.	3 N
Withdraw strength per pos. approx.	2 N

Contact holder in insert	
Specification	IEC 60512-15-1:2008-05
Result	Test passed
Test force per pos.	20 N

Printed-circuit board connector - DMCV 1,5/12-G1F-3,5-LR P35



1054073

<https://www.phoenixcontact.com/il/products/1054073>

Resistance of inscriptions

Specification	IEC 60068-2-70:1995-12
Result	Test passed

Polarization and coding

Specification	IEC 60512-13-5:2006-02
Result	Test passed

Visual inspection

Specification	IEC 60512-1-1:2002-02
Result	Test passed

Dimension check

Specification	IEC 60512-1-2:2002-02
Result	Test passed

Electrical tests

Electrical properties

Rated voltage (III/2)	160 V
Rated surge voltage (III/2)	2.5 kV
Contact resistance	2.3 mΩ
Pollution degree	2

Thermal test | Test group C

Specification	IEC 60512-5-1:2002-02
Tested number of positions	20

Temperature cycles

Specification	IEC 60999-1:1999-11
Result	Test passed

Air clearances and creepage distances |

Specification	IEC 60664-1:2007-04
Insulating material group	IIIa
Comparative tracking index (IEC 60112:2003-01)	CTI 225
Rated insulation voltage (III/3)	160 V
Rated surge voltage (III/3)	2.5 kV
minimum clearance value - non-homogenous field (III/3)	1.5 mm
minimum creepage distance (III/3)	2.5 mm
Rated insulation voltage (III/2)	160 V
Rated surge voltage (III/2)	2.5 kV
minimum clearance value - non-homogenous field (III/2)	1.5 mm
minimum creepage distance (III/2)	1.6 mm
Rated insulation voltage (II/2)	250 V

Printed-circuit board connector - DMCV 1,5/12-G1F-3,5-LR P35



1054073

<https://www.phoenixcontact.com/il/products/1054073>

Rated surge voltage (II/2)	2.5 kV
minimum clearance value - non-homogenous field (II/2)	1.5 mm
minimum creepage distance (II/2)	2.5 mm

Environmental and real-life conditions

Vibration test

Specification	IEC 60068-2-6:2007-12
Frequency	10 - 150 - 10 Hz
Sweep speed	1 octave/min
Amplitude	0.35 mm (10 - 60.1 Hz)
Sweep speed	5g (60.1 - 150 Hz)
Test duration per axis	2.5 h

Durability test

Specification	IEC 60512-9-1:2010-03
Impulse withstand voltage at sea level	2.95 kV
Contact resistance R_1	2.3 m Ω
Contact resistance R_2	2.6 m Ω
Insertion/withdrawal cycles	25

Climatic test

Specification	ISO 6988:1985-02
Corrosive stress	0.2 dm ³ SO ₂ on 300 dm ³ /40 °C/1 cycle
Thermal stress	105 °C/168 h
Power-frequency withstand voltage	1.39 kV

Ambient conditions

Ambient temperature (operation)	-40 °C ... 100 °C (dependent on the derating curve)
Ambient temperature (storage/transport)	-40 °C ... 70 °C
Relative humidity (storage/transport)	30 % ... 70 %
Ambient temperature (assembly)	-5 °C ... 100 °C

Packaging specifications

Type of packaging	packed in cardboard
-------------------	---------------------

Printed-circuit board connector - DMCV 1,5/12-G1F-3,5-LR P35

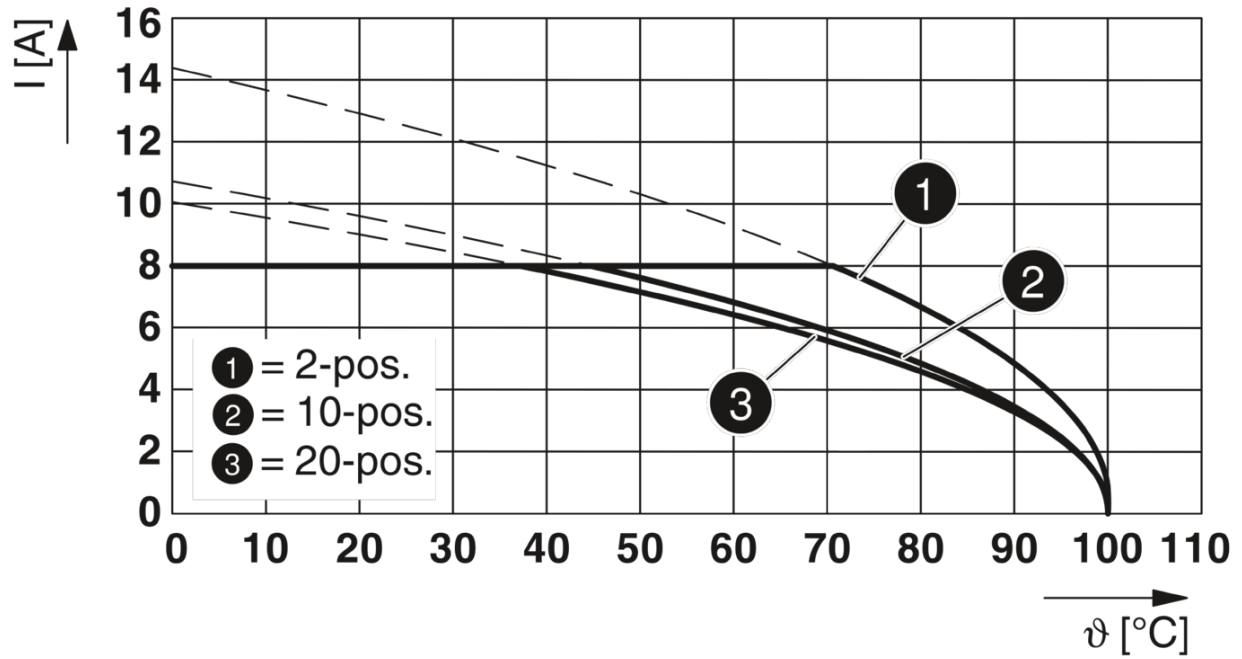


1054073

<https://www.phoenixcontact.com/il/products/1054073>

Drawings

Diagram

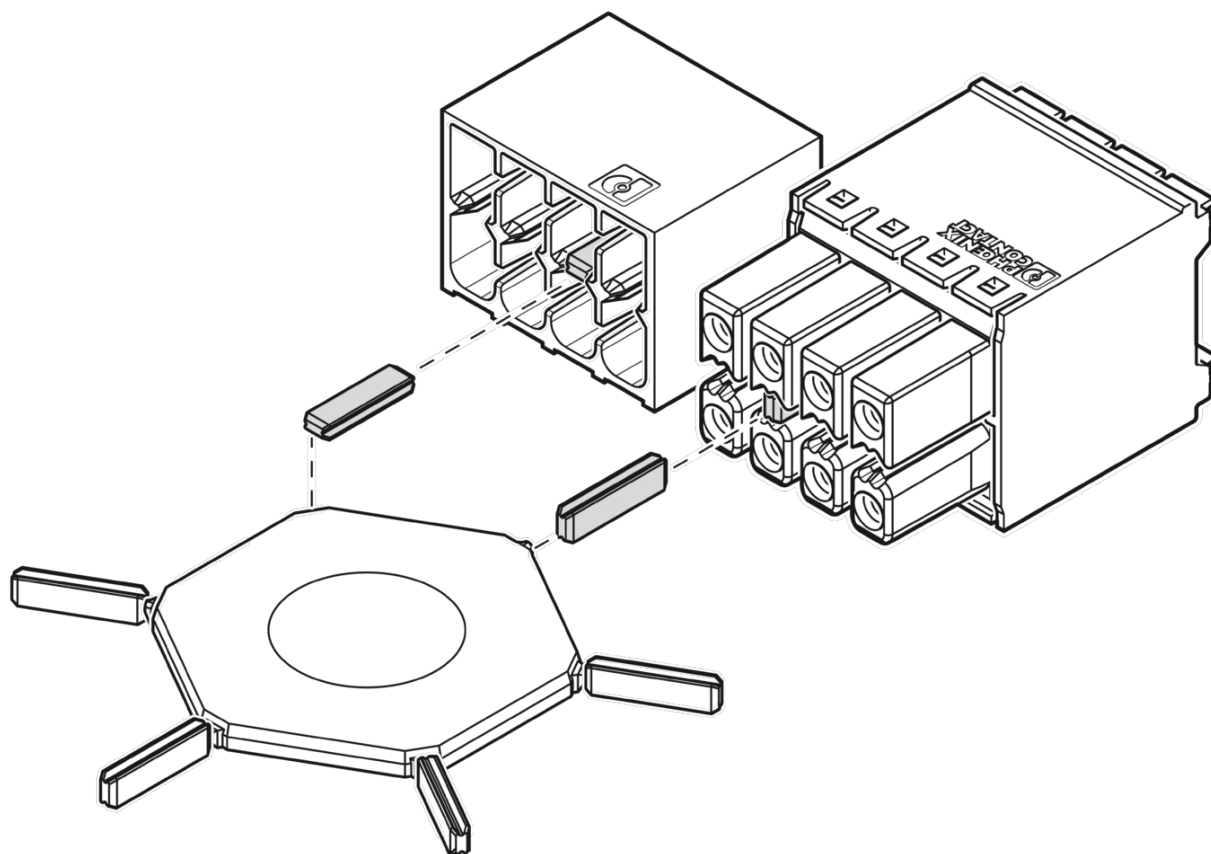


Printed-circuit board connector - DMCV 1,5/12-G1F-3,5-LR P35

1054073

<https://www.phoenixcontact.com/il/products/1054073>

Schematic diagram



Use of the CP-DMC... coding profile

Printed-circuit board connector - DMCV 1,5/12-G1F-3,5-LR P35



1054073

<https://www.phoenixcontact.com/il/products/1054073>

Approvals

EAC

cULus Recognized	Nominal Voltage U_N	Nominal Current I_N	Cross Section AWG	Cross Section mm^2
Use group B	300 V	8 A	-	-
Use group D	300 V	8 A	-	-

Printed-circuit board connector - DMCV 1,5/12-G1F-3,5-LR P35



1054073

<https://www.phoenixcontact.com/il/products/1054073>

Classifications

ECLASS

ECLASS-9.0	27440402
ECLASS-10.0.1	27440402
ECLASS-11.0	27460201

ETIM

ETIM 6.0	EC002637
----------	----------

UNSPSC

UNSPSC 19.0	39121409
UNSPSC 20.0	39121409
UNSPSC 21.0	39121409

Printed-circuit board connector - DMCV 1,5/12-G1F-3,5-LR P35



1054073

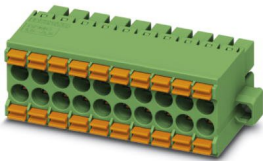
<https://www.phoenixcontact.com/il/products/1054073>

Accessories

Printed-circuit board connector

Printed-circuit board connector - DFMC 1,5/12-STF-3,5 - 1790399

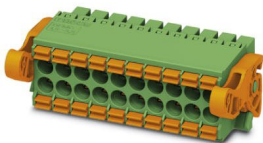
Plug, nominal current: 8 A, rated voltage (III/2): 160 V, number of positions: 12 with 24 contacts, pitch: 3.5 mm, connection method: spring-cage connection, color: green, contact surface: tin



Printed-circuit board connector

Printed-circuit board connector - DFMC 1,5/12-ST-3,5-LR - 1790580

Plug, nominal current: 8 A, rated voltage (III/2): 160 V, number of positions: 12 with 24 contacts, pitch: 3.5 mm, connection method: spring-cage connection, color: green, contact surface: tin



Phoenix Contact 2022 © - all rights reserved

<https://www.phoenixcontact.com>

PHOENIX CONTACT Israel Ltd.
P.O.B. 1799 Industrial Park Hasharon
Quadima 60920
+972-9-8915700
info@phoenixcontact.co.il

单击下面可查看定价，库存，交付和生命周期等信息

[>>Phoenix Contact\(菲尼克斯\)](#)