

# Ferrule - AI 50 -20 BU

3200454

<https://www.phoenixcontact.com/in/products/3200454>



Please be informed that the data shown in this PDF document is generated from our Online Catalog. Please find the complete data in the user documentation. Our General Terms of Use for Downloads are valid.

---



Ferrule, sleeve length: 20 mm, length: 36 mm, color: blue

---

## Your advantages

- The AI 0,25.. ferrules can also be used to process 0.14 mm<sup>2</sup> conductors
- The ferrules with plastic sleeve are made from soft tin-plated electrolytic copper
- The insulation reliability of close connections is increased and the splicing of wires is prevented

# Ferrule - AI 50 -20 BU



3200454

<https://www.phoenixcontact.com/in/products/3200454>

## Commercial Data

Order Key	3200454
Packing unit	50 pc
Minimum order quantity	50 pc
Sales Key	BH3
Product Key	BH3411
Catalog Page	Page 481 (C-3-2019)
GTIN	4017918094102
Weight per Piece (including packing)	2.98 g
Weight per Piece (excluding packing)	2.943 g
Customs tariff number	85369010
Country of origin	DE

# Ferrule - AI 50 -20 BU

3200454

<https://www.phoenixcontact.com/in/products/3200454>

## Technical Data

### Product properties

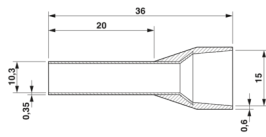
Conductor category	Stranded conductors, class 2, 5, 6 / B, C, K, M
--------------------	---

### Connection data

#### Conductor connection

Conductor cross section flexible max.	50 mm <sup>2</sup>
Conductor cross section AWG max.	1/0
Stripping length	25 mm

### Dimensions

Dimensional drawing	
Length	36 mm
Sleeve length	20 mm
Maximum stripping length	25 mm
Ferrule diameter	10.3 mm
Sleeve wall thickness	0.35 mm
Insulating collar thickness	0.6 mm
Inner dimensions of the insulating collar	15 mm

### Material specifications

Color	blue
Material	CU-DHP
Flammability rating according to UL 94	HB
Coating	tin-plated (galvanic)
Components	free from silicone and halogen

### Mechanical properties

#### Technical data

Sleeve length	20 mm
---------------	-------

### Environmental and real-life conditions

#### Ambient conditions

Permanent temperature	105 °C (-40°C no load / 0°C dynamic load)
Short-term temperature	120 °C

### Standards and regulations

# Ferrule - AI 50 -20 BU

3200454

<https://www.phoenixcontact.com/in/products/3200454>



Design according to standard

DIN 46228-4:2017-05

# Ferrule - Al 50 -20 BU

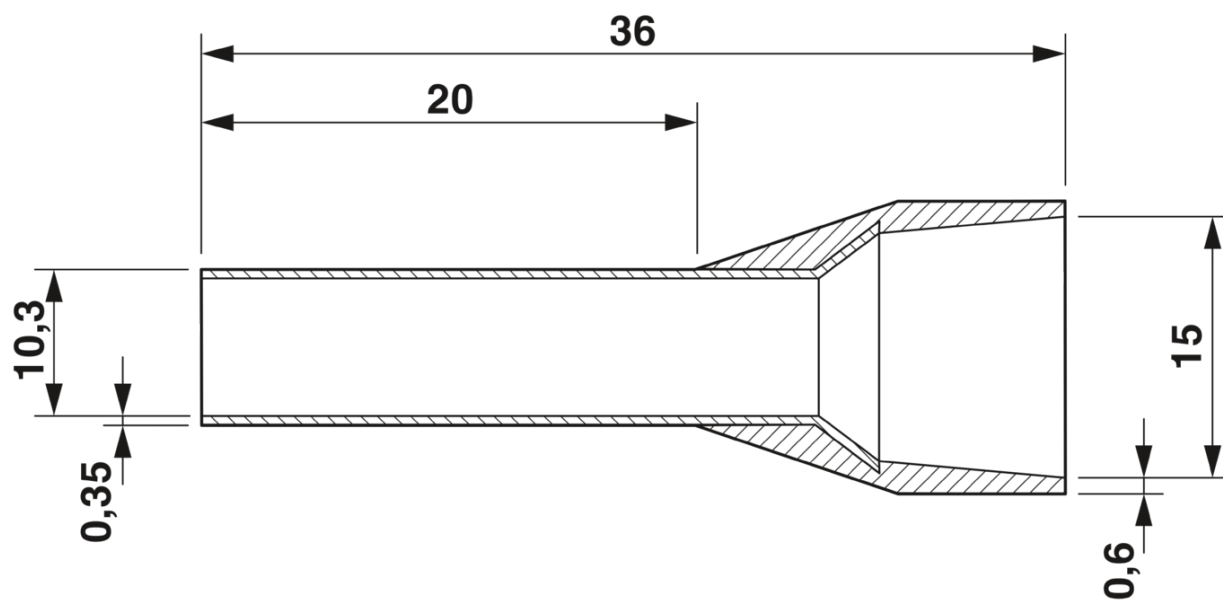
3200454

<https://www.phoenixcontact.com/in/products/3200454>



## Drawings

Dimensional drawing



# Ferrule - AI 50 -20 BU



3200454

<https://www.phoenixcontact.com/in/products/3200454>

## Approvals

CSA

UL Listed	Nominal Voltage $U_N$	Nominal Current $I_N$	Cross Section AWG	Cross Section $mm^2$
			-	-

cUL Listed	Nominal Voltage $U_N$	Nominal Current $I_N$	Cross Section AWG	Cross Section $mm^2$
			-	-

CSAus

cULus Listed

cCSAus

# Ferrule - AI 50 -20 BU



3200454

<https://www.phoenixcontact.com/in/products/3200454>

## Classifications

### ECLASS

ECLASS-9.0	27400201
ECLASS-10.0.1	27400201
ECLASS-11.0	27400201

### ETIM

ETIM 6.0	EC000005
----------	----------

### UNSPSC

UNSPSC 19.0	27121703
UNSPSC 20.0	27121703
UNSPSC 21.0	27121703

# Ferrule - AI 50 -20 BU

3200454

<https://www.phoenixcontact.com/in/products/3200454>



## Environmental Product Compliance

China RoHS	Environmentally friendly use period: unlimited = EFUP-e
	No hazardous substances above threshold values

Phoenix Contact 2022 © - all rights reserved  
<https://www.phoenixcontact.com>

PHOENIX CONTACT (I) Pvt. Ltd.  
A-58/2, Okhla Industrial Area, Phase - II, New Delhi-110 020

+91.1275.71420  
[info@phoenixcontact.co.in](mailto:info@phoenixcontact.co.in)



单击下面可查看定价，库存，交付和生命周期等信息

[>>Phoenix Contact \(菲尼克斯\)](#)