

# C-RC 2,5/M4 DIN - Ring cable lug

3240078

<https://www.phoenixcontact.com/ae/products/3240078>

Please be informed that the data shown in this PDF document is generated from our online catalog. Please find the complete data in the user documentation. Our general terms of use for downloads are valid.



Ring cable lug, non-insulated, 1.1 ... 2.5 mm<sup>2</sup>, M4

## Your advantages

- The CRIMPFOX-RC... tools from our CRIMPFOX range of crimping pliers are available for optimum crimping
- The hard-soldered press zone enables maximum conductor pull-out values to be achieved
- The ring cable lugs without plastic sleeve are made from high-quality tin-plated electrolytic copper for maximum protection against corrosion

## Commercial data

|                                      |                     |
|--------------------------------------|---------------------|
| Item number                          | 3240078             |
| Packing unit                         | 100 pc              |
| Minimum order quantity               | 100 pc              |
| Sales key                            | BH3                 |
| Product key                          | BH3422              |
| Catalog page                         | Page 490 (C-3-2019) |
| GTIN                                 | 4046356452953       |
| Weight per piece (including packing) | 0.749 g             |
| Weight per piece (excluding packing) | 0.731 g             |
| Customs tariff number                | 85369010            |
| Country of origin                    | CN                  |

# C-RC 2,5/M4 DIN - Ring cable lug

3240078

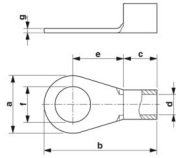
<https://www.phoenixcontact.com/ae/products/3240078>

## Technical data

### Product properties

|              |           |
|--------------|-----------|
| Product type | Connector |
|--------------|-----------|

### Dimensions

|  |  |
|--|--|
| Dimensional drawing  |  |
| Width  | 8 mm   |
| Length of the insulating material sleeve                   | 5 mm   |
| Maximum stripping length                                   | 8 mm   |
| Distance from the center to the insulating material sleeve | 7 mm   |
| Min. material thickness                                    | 0.8 mm   |
| Inner dimensions of the insulating collar                  | 2.3 mm   |

### Internal dimensions

|                   |        |
|-------------------|--------|
| Internal diameter | 4.3 mm |
|-------------------|--------|

### Material specifications

|          |            |
|----------|------------|
| Color    | silver     |
| Material | Copper     |
| Coating  | tin-plated |

### Environmental and real-life conditions

#### Ambient conditions

|                                 |        |
|---------------------------------|--------|
| Ambient temperature (operation) | 110 °C |
|---------------------------------|--------|

### Standards and regulations

|                              |           |
|------------------------------|-----------|
| Design according to standard | DIN 46234 |
|------------------------------|-----------|

# C-RC 2,5/M4 DIN - Ring cable lug

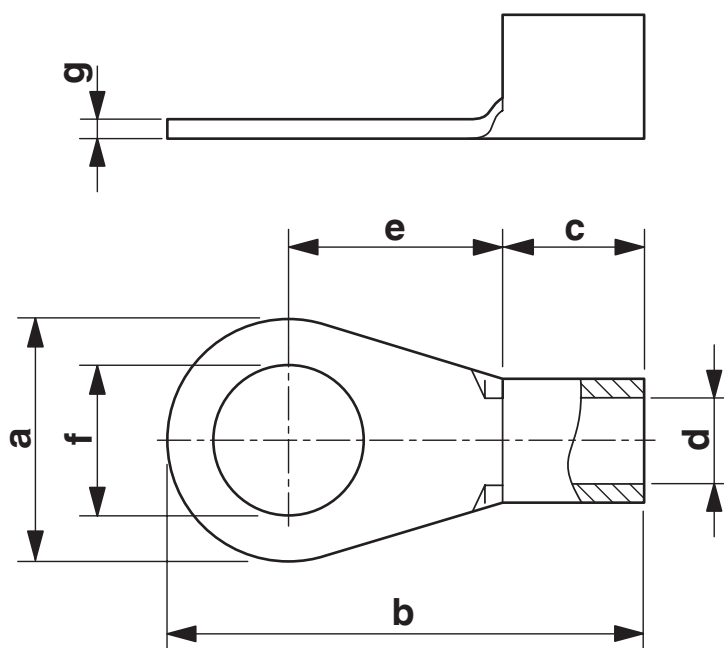
3240078

<https://www.phoenixcontact.com/ae/products/3240078>



## Drawings

Dimensional drawing



# C-RC 2,5/M4 DIN - Ring cable lug

3240078

<https://www.phoenixcontact.com/ae/products/3240078>



## Classifications

### ECLASS

|             |          |
|-------------|----------|
| ECLASS-11.0 | 27400204 |
| ECLASS-13.0 | 27400204 |
| ECLASS-12.0 | 27400204 |

### ETIM

|          |          |
|----------|----------|
| ETIM 9.0 | EC001052 |
|----------|----------|

### UNSPSC

|             |          |
|-------------|----------|
| UNSPSC 21.0 | 27121700 |
|-------------|----------|

# C-RC 2,5/M4 DIN - Ring cable lug



3240078

<https://www.phoenixcontact.com/ae/products/3240078>

## Environmental product compliance

### EU RoHS

|   |                    |
|---|--------------------|
| Fulfills EU RoHS substance requirements | Yes, No exemptions |
|---|--------------------|

### China RoHS

|  |   |
|--|---|
| Environment friendly use period (EFUP) | EFUP-10   |
|  | An article-related China RoHS declaration table can be found in the download area for the respective article under "Manufacturer declaration". For all articles with EFUP-E, no China RoHS declaration table issued and required. |

### EU REACH SVHC

|                                     |                            |
|-------------------------------------|----------------------------|
| REACH candidate substance (CAS No.) | No substance above 0.1 wt% |
|-------------------------------------|----------------------------|

Phoenix Contact 2024 © - all rights reserved  
<https://www.phoenixcontact.com>

PHOENIX CONTACT Middle East FZ LLC  
1201N-1206N, Dubai Science Park Towers – North  
P.O. Box 345002, Dubai, United Arab Emirates  
(+971) 4 437-0324  
[info-me@phoenixcontact.com](mailto:info-me@phoenixcontact.com)

单击下面可查看定价，库存，交付和生命周期等信息

[>>Phoenix Contact \(菲尼克斯\)](#)