

Bus system flat-type plug - SACC-DSIV-FSD-4CON-L90 SCO



1436550

<https://www.phoenixcontact.com/in/products/1436550>

Please be informed that the data shown in this PDF document is generated from our Online Catalog. Please find the complete data in the user documentation. Our General Terms of Use for Downloads are valid.



Bus system flush-type connector, socket, Ethernet, 4-pos., M12 SPEEDCON, shielded, D-coded, rear/screw mounting with M12 thread, with polarity protection, with angled solder connection

Bus system flat-type plug - SACC-DSIV-FSD-4CON-L90 SCO



1436550

<https://www.phoenixcontact.com/in/products/1436550>

Commercial Data

Order Key	1436550
Packing unit	10 pc
Minimum order quantity	10 pc
Sales Key	ABQ
Product Key	ABQCAD
Catalog Page	Page 90 (C-2-2013)
GTIN	4046356438612
Weight per Piece (including packing)	13.643 g
Weight per Piece (excluding packing)	12.56 g
Customs tariff number	85366990
Country of origin	DE

Bus system flat-type plug - SACC-DSIV-FSD-4CON-L90 SCO



1436550

<https://www.phoenixcontact.com/in/products/1436550>

Technical Data

Notes

General	This product corresponds to the PROFINET Cabling and Interconnection Technology Guideline for PROFINET regulations, version 2.00, order no: 2.252, Chapter 8.2 Connectors for Outside Environment (Balanced cabling)
---------	--

Product properties

Number of positions	4
Coding	D - data

Insulation characteristics

Overvoltage category	II
Degree of pollution	3

Ambient conditions

Degree of protection	IP67
Degree of protection	IP67
Ambient temperature (operation)	-25 °C ... 85 °C (Plug / socket) -40 °C ... 85 °C (without mechanical actuation)

Connector

Header 1

Head design	Socket
Head cable outlet	straight
Head thread type	M12
Head locking type	SPEEDCON
Coding	D-coded

Electrical properties

Contact resistance	$\leq 3 \text{ m}\Omega$
Insulation resistance	$\geq 100 \text{ M}\Omega$
Nominal voltage U_N	250 V
Nominal current I_N	4 A

Material specifications

Flammability rating according to UL 94	V0
Sealing material	NBR
Contact material	CuZn
Contact surface material	Au
Contact carrier material	PA 6.6
Cable gland material	Zinc die-cast, nickel-plated

Connection data

Bus system flat-type plug - SACC-DSIV-FSD-4CON-L90 SCO



1436550

<https://www.phoenixcontact.com/in/products/1436550>

Connection technology

Connection method	Solder pins
-------------------	-------------

Conductor connection

Connection method	Solder pins
-------------------	-------------

Mounting

Mounting type	Rear mounting M12 x 1 With flat nut
Assembly instructions	With flat nut

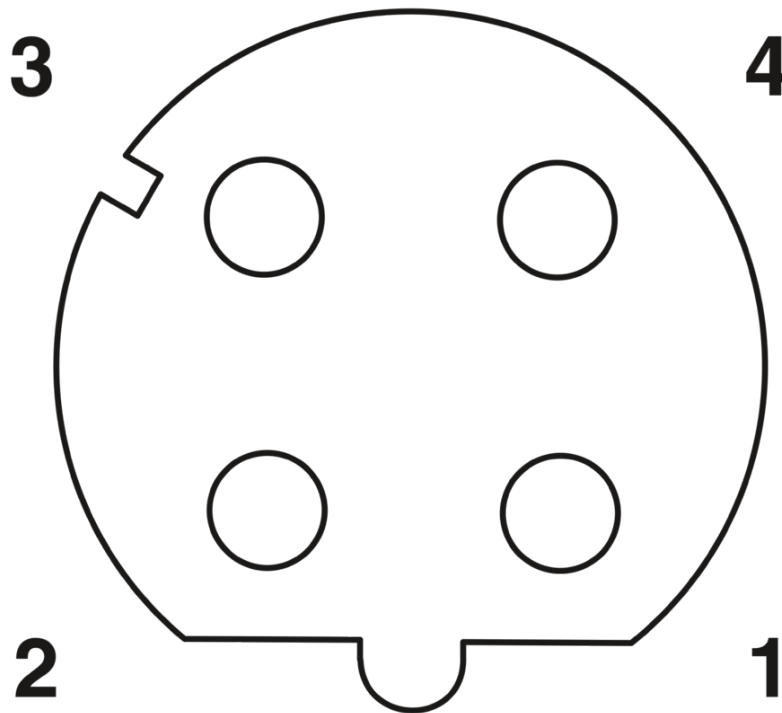
Bus system flat-type plug - SACC-DSIV-FSD-4CON-L90 SCO

1436550

<https://www.phoenixcontact.com/in/products/1436550>

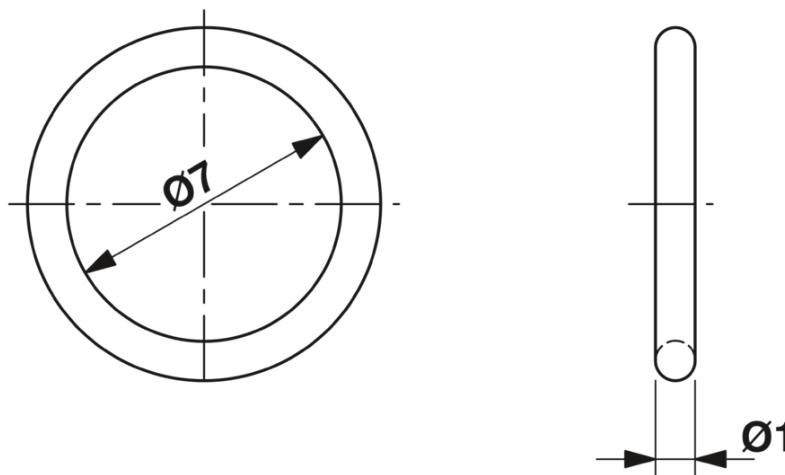
Drawings

Schematic diagram



Pin assignment M12 socket, 4-pos., D-coded, female side

Dimensional drawing



Optionally with O-ring (green) for tight seal when plugged in.

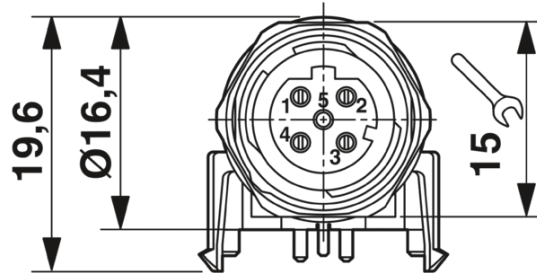
- the axial mating force of 80 N per connector may not be exceeded when using with assembled O-ring!
- Avoid radial forces!

Bus system flat-type plug - SACC-DSIV-FSD-4CON-L90 SCO

1436550

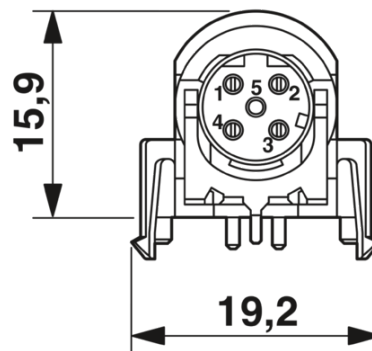
<https://www.phoenixcontact.com/in/products/1436550>

Dimensional drawing



M12 flush-type connector, socket, front view

Dimensional drawing



M12 flush-type connector, socket, contact carrier, front view

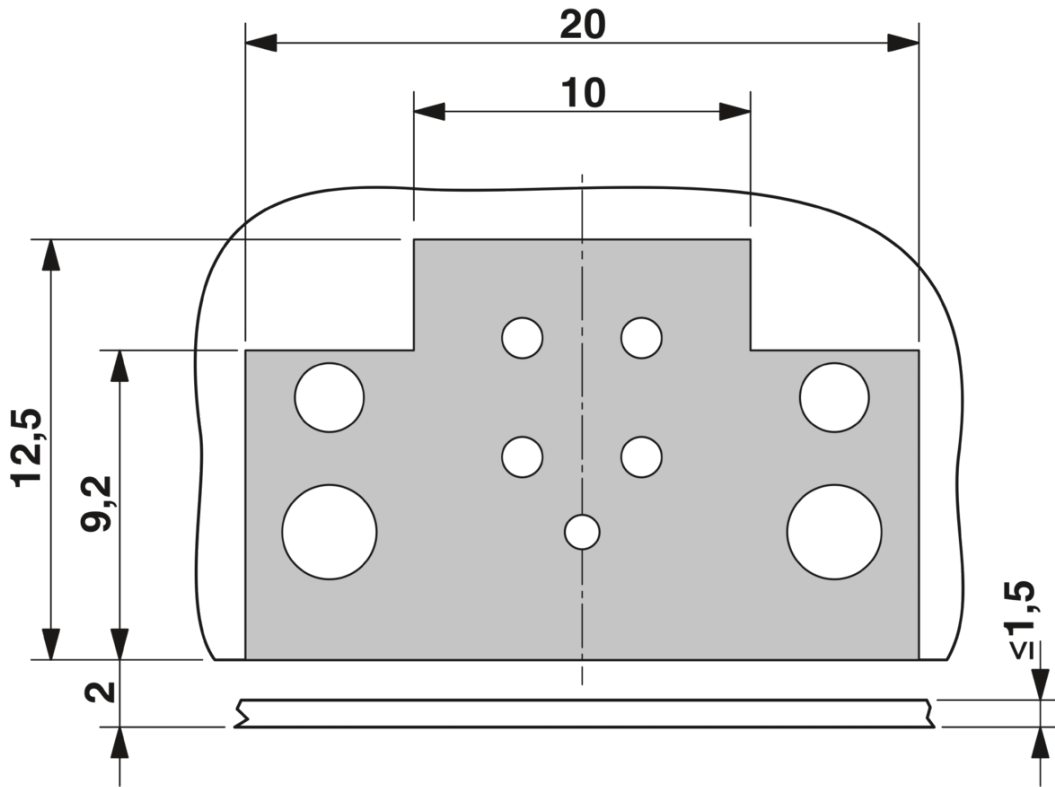
Bus system flat-type plug - SACC-DSIV-FSD-4CON-L90 SCO



1436550

<https://www.phoenixcontact.com/in/products/1436550>

Dimensional drawing



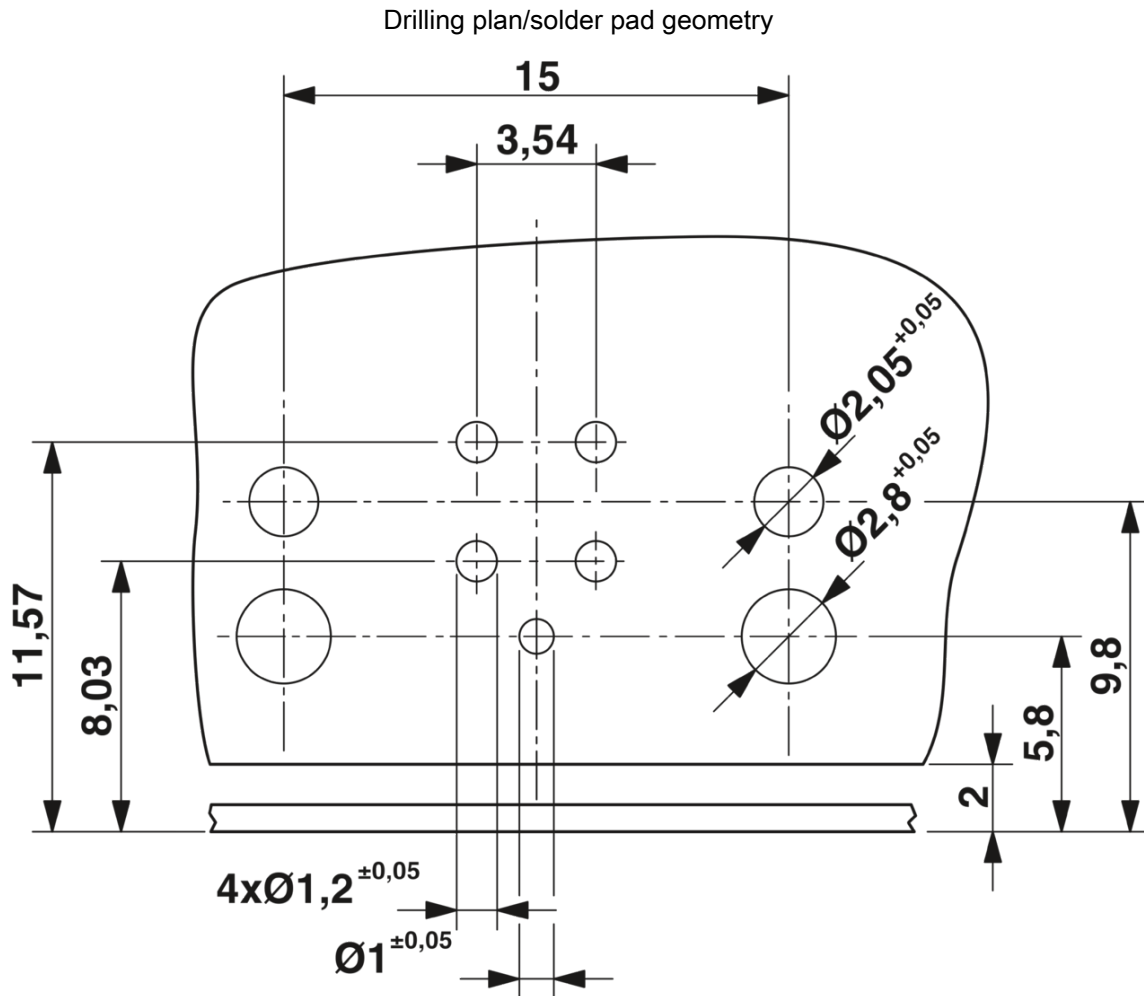
Locked area on the PCB

Bus system flat-type plug - SACC-DSIV-FSD-4CON-L90 SCO



1436550

<https://www.phoenixcontact.com/in/products/1436550>

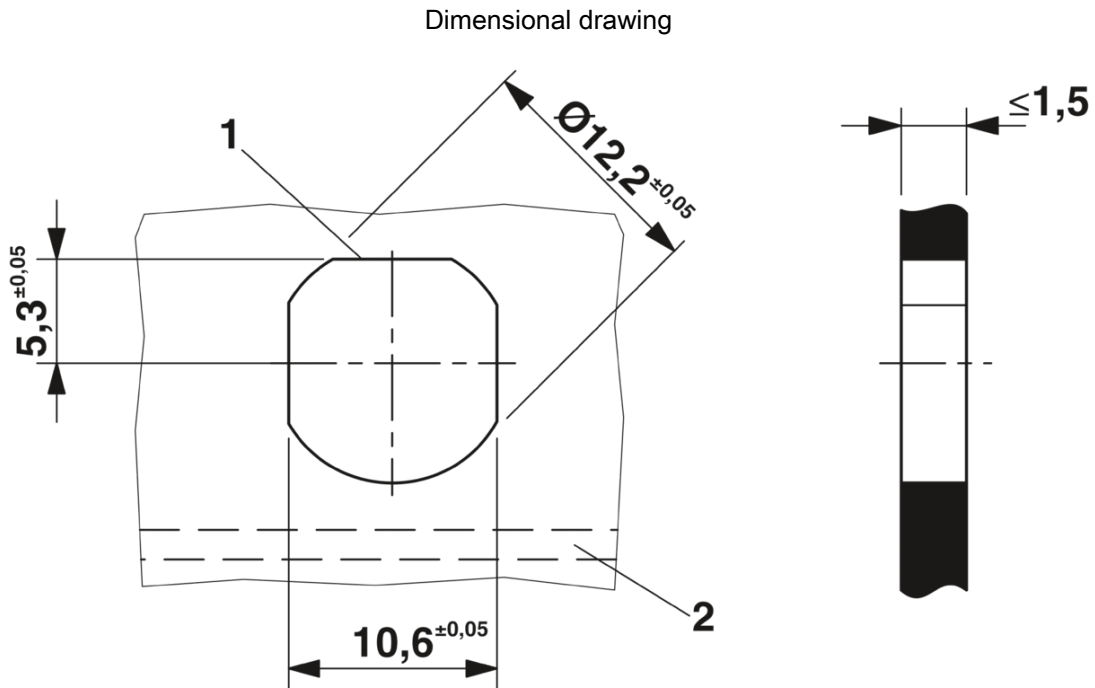


Drilling diagram

Bus system flat-type plug - SACC-DSIV-FSD-4CON-L90 SCO

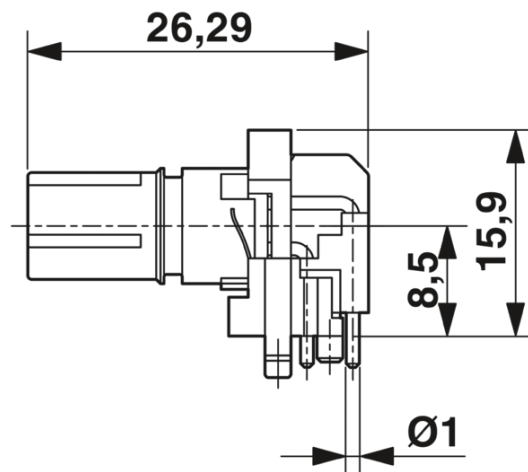
1436550

<https://www.phoenixcontact.com/in/products/1436550>



Housing cutout for M12 fastening thread, mounting panel with feed-through hole (alternative with surface as protection against rotation)

Dimensional drawing



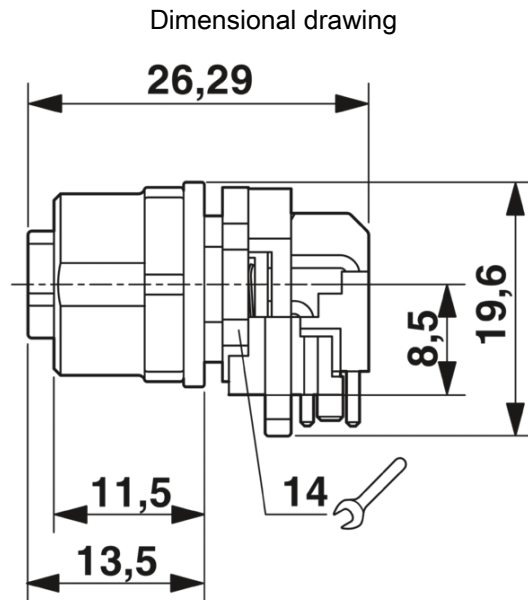
M12 flush-type connector, socket, contact carrier, side view

Bus system flat-type plug - SACC-DSIV-FSD-4CON-L90 SCO



1436550

<https://www.phoenixcontact.com/in/products/1436550>



M12 flush-type connector, socket, side view


Bus system flat-type plug - SACC-DSIV-FSD-4CON-L90 SCO




1436550

<https://www.phoenixcontact.com/in/products/1436550>

Approvals

UL Recognized 	Nominal Voltage U_N	Nominal Current I_N	Cross Section AWG	Cross Section mm^2
	250 V	4 A	- 22	-

EAC 

Bus system flat-type plug - SACC-DSIV-FSD-4CON-L90 SCO



1436550

<https://www.phoenixcontact.com/in/products/1436550>

Classifications

ECLASS

ECLASS-9.0	27440102
ECLASS-10.0.1	27440102
ECLASS-11.0	27440102

ETIM

ETIM 6.0	EC002061
----------	----------

UNSPSC

UNSPSC 19.0	39121413
UNSPSC 20.0	39121413
UNSPSC 21.0	39121413

Bus system flat-type plug - SACC-DSIV-FSD-4CON-L90 SCO



1436550

<https://www.phoenixcontact.com/in/products/1436550>

Environmental Product Compliance

REACH SVHC	Lead 7439-92-1
China RoHS	Environmentally Friendly Use Period = 50 years For details about hazardous substances go to tab "Downloads", Category "Manufacturer's declaration"

Phoenix Contact 2022 © - all rights reserved
<https://www.phoenixcontact.com>

PHOENIX CONTACT (I) Pvt. Ltd.
A-58/2, Okhla Industrial Area, Phase - II, New Delhi-110 020

+91.1275.71420
info@phoenixcontact.co.in

单击下面可查看定价，库存，交付和生命周期等信息

[>>Phoenix Contact\(菲尼克斯\)](#)