

# Panel feed-through terminal block - VDFK 6/K



0711056

<https://www.phoenixcontact.com/in/products/0711056>

Please be informed that the data shown in this PDF document is generated from our Online Catalog. Please find the complete data in the user documentation. Our General Terms of Use for Downloads are valid.

---



Panel feed-through terminal block, connection method: Screw connection with tension sleeve, Solder connection, number of positions: 1, load current: 41 A, cross section: 0.2 mm<sup>2</sup> - 10 mm<sup>2</sup>, connection direction of the conductor to plug-in direction: 0 °, width: 10 mm, color: gray

---

## Your advantages

- Well-known connection principle allows worldwide use
- Low temperature rise, thanks to maximum contact force

# Panel feed-through terminal block - VDFK 6/K



0711056

<https://www.phoenixcontact.com/in/products/0711056>

## Commercial Data

Order Key	0711056
Packing unit	50 pc
Minimum order quantity	50 pc
Sales Key	AAB
Product Key	AA1BBA
Catalog Page	Page 645 (C-1-2013)
GTIN	4017918117177
Weight per Piece (including packing)	7.941 g
Weight per Piece (excluding packing)	7.941 g
Customs tariff number	85369010
Country of origin	PL

## Technical Data

### Product properties

Number of positions	1
Number of connections	2
Number of rows	1
Connector system	VDFK 6

### Insulation characteristics

Overvoltage category	III
Degree of pollution	3

### Electrical properties

Rated surge voltage	6 kV
rated voltage (II/2)	1000 V
rated voltage (III/2)	1000 V
rated voltage (III/3)	500 V
Nominal current $I_N$	41 A

### Connection data

#### Connection technology

Connector system	VDFK 6
Nominal cross section	6 mm <sup>2</sup>

#### Conductor connection exterior

Connection method	Screw connection with tension sleeve
Connection direction of the conductor to plug-in direction	0 °
Conductor cross section solid	0.2 mm <sup>2</sup> ... 10 mm <sup>2</sup>
Conductor cross section flexible	0.2 mm <sup>2</sup> ... 6 mm <sup>2</sup>
Conductor cross section flexible, with ferrule without plastic sleeve	0.25 mm <sup>2</sup> ... 6 mm <sup>2</sup>
Conductor cross section, flexible, with ferrule, with plastic sleeve	0.25 mm <sup>2</sup> ... 6 mm <sup>2</sup>
2 conductors with same cross section, solid	0.2 mm <sup>2</sup> ... 4 mm <sup>2</sup>
2 conductors with same cross section, flexible	0.2 mm <sup>2</sup> ... 4 mm <sup>2</sup>
2 conductors with same cross section, flexible, with ferrule without plastic sleeve	0.25 mm <sup>2</sup> ... 2.5 mm <sup>2</sup>
2 conductors with the same cross section, flexible, with TWIN ferrule with plastic sleeve	0.5 mm <sup>2</sup> ... 4 mm <sup>2</sup>
Internal cylindrical gage	A5
Stripping length	9 mm
Torque	1.5 Nm ... 1.8 Nm

#### Conductor connection interior

Connection method	Solder connection
Connection direction of the conductor to plug-in direction	0 °

# Panel feed-through terminal block - VDFK 6/K



0711056

<https://www.phoenixcontact.com/in/products/0711056>

Stripping length	9 mm
Torque	1.5 Nm ... 1.8 Nm

## Mounting

Plate thickness	1 mm ... 4 mm
-----------------	---------------

## Material specifications

### Material data - contact

Note	WEEE/RoHS-compliant, free of whiskers according to IEC 60068-2-82/JEDEC JESD 201
Contact material	Cu alloy
Surface characteristics	tin-plated

### Material data - housing

Housing color	gray (7042)
Insulating material	PA
Insulating material group	I
CTI according to IEC 60112	600
Flammability rating according to UL 94	V0
Glow wire flammability index GWFI according to EN 60695-2-12	850
Glow wire ignition temperature GWIT according to EN 60695-2-13	775
Temperature for the ball pressure test according to EN 60695-10-2	125 °C

## Notes

### Safety note

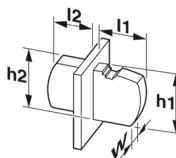
Safety note	<ul style="list-style-type: none"><li>• <b>WARNING:</b> Only electrically qualified personnel may install and operate the product. They must observe the following safety notes. The qualified personnel must be familiar with the basics of electrical engineering. They must be able to recognize and prevent danger. The relevant symbol on the packaging indicates that only personnel familiar with electrical engineering are allowed to install and operate the product.</li><li>• The installation notes/Design In documents online on the download page at <a href="https://www.phoenixcontact.com/products">phoenixcontact.com/products</a> must be observed for this product.</li><li>• The cable entry funnel is not safe to touch. Never connect or disconnect the terminal when it is energized. Take appropriate steps to ensure touch protection.</li><li>• To maintain the nominal voltage, cast the terminals on the inside.</li></ul> <p><input type="checkbox"/> There is no electrical contact to the housing. Make sure that protective grounding is provided for green/yellow color variants and articles marked with PE.</p>
-------------	--

## Dimensions

# Panel feed-through terminal block - VDFK 6/K

0711056

<https://www.phoenixcontact.com/in/products/0711056>

Dimensional drawing	
Width	10 mm
Height	31.5 mm
Length	30.2 mm
Pitch	10 mm
Plate thickness	1 mm ... 4 mm

## Electrical tests

### Electrical properties

Rated voltage (III/3)	500 V
Rated surge voltage (III/2)	6 kV
Pollution degree	3

### Air clearances and creepage distances | 1. Insulation coordination

Application	Internal part molded
Insulating material group	I
Comparative tracking index (IEC 60112:2003-01)	CTI 600
Rated insulation voltage (III/3)	500 V
Rated surge voltage (III/3)	6 kV
minimum clearance value - non-homogenous field (III/3)	5.5 mm

## Packaging specifications

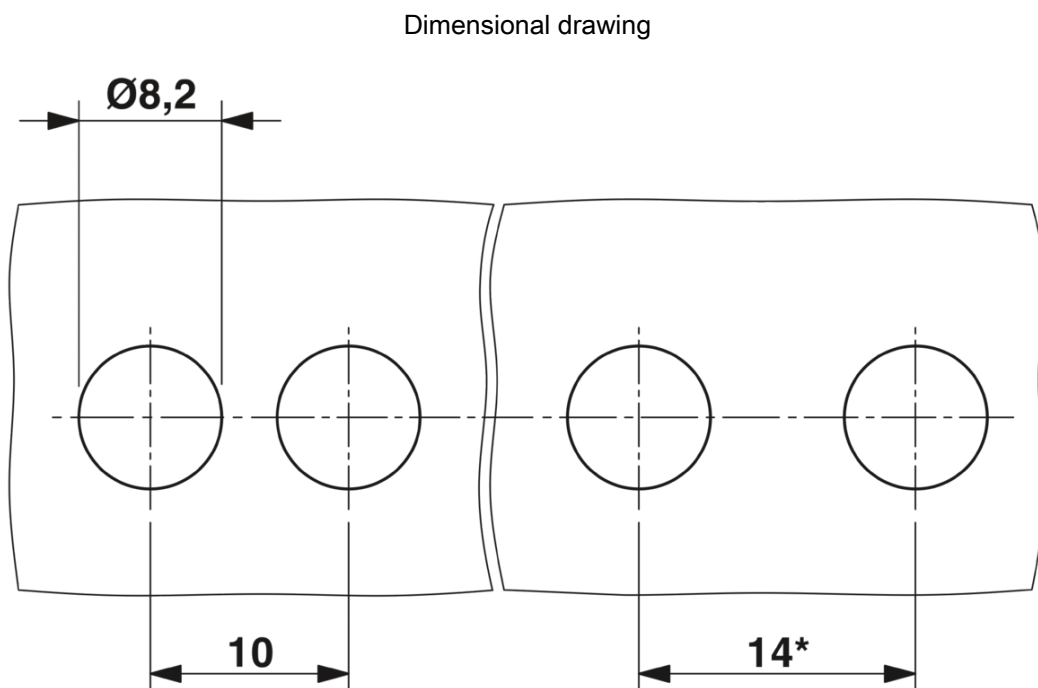
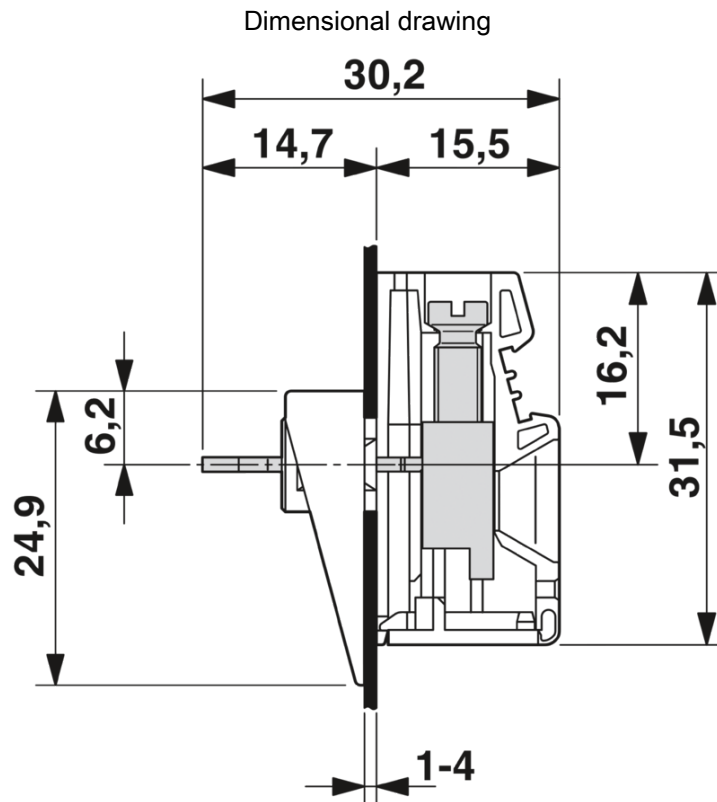
Type of packaging	packed in cardboard
-------------------	---------------------

# Panel feed-through terminal block - VDFK 6/K

0711056

<https://www.phoenixcontact.com/in/products/0711056>

## Drawings



\* Dimensions when using the DP-VDFK 6/4 spacer plate


# Panel feed-through terminal block - VDFK 6/K




0711056


<https://www.phoenixcontact.com/in/products/0711056>


## Approvals

CSA 	Nominal Voltage $U_N$	Nominal Current $I_N$	Cross Section AWG	Cross Section $mm^2$
Use group B	300 V	50 A	26 - 8	-
Use group C	150 V	50 A	26 - 8	-
Use group D	300 V	10 A	26 - 8	-

IECEE CB Scheme 	Nominal Voltage $U_N$	Nominal Current $I_N$	Cross Section AWG	Cross Section $mm^2$
	500 V	41 A	-	- 6

## EAC

cULus Recognized 	Nominal Voltage $U_N$	Nominal Current $I_N$	Cross Section AWG	Cross Section $mm^2$
Use group B	300 V	50 A	26 - 8	-
Use group C	150 V	50 A	26 - 8	-
Use group D	300 V	10 A	26 - 8	-

KEMA-KEUR 	Nominal Voltage $U_N$	Nominal Current $I_N$	Cross Section AWG	Cross Section $mm^2$
	500 V	41 A	-	- 6

# Panel feed-through terminal block - VDFK 6/K



0711056

<https://www.phoenixcontact.com/in/products/0711056>

## Classifications

### ECLASS

ECLASS-10.0.1	27141134
ECLASS-9.0	27141134
ECLASS-11.0	27141134

### ETIM

ETIM 6.0	EC001283
----------	----------

### UNSPSC

UNSPSC 19.0	39121410
UNSPSC 20.0	39121410
UNSPSC 21.0	39121410



# Panel feed-through terminal block - VDFK 6/K



0711056

<https://www.phoenixcontact.com/in/products/0711056>

## Environmental Product Compliance

China RoHS	Environmentally Friendly Use Period = 50 years For details about hazardous substances go to tab "Downloads", Category "Manufacturer's declaration"
------------	--

# Panel feed-through terminal block - VDFK 6/K



0711056

<https://www.phoenixcontact.com/in/products/0711056>

## Accessories

### Screwdriver

Screwdriver - SZS 0,8X4,0 VDE - 1212508



Screwdriver, slot-headed, VDE insulated, size: 0.8 x 4.0 x 100 mm, 2-component grip, with non-slip grip

### Screw insert

Screw insert - SF-BIT-SL 0,8X4,0-50 - 1212571



Screw bit, bladed, E6.3-1/4" drive, size: 0.8 x 4.0 x 50 mm, hardened, suitable for holder according to DIN 3126-F6.3/ISO 1173

Phoenix Contact 2022 © - all rights reserved  
<https://www.phoenixcontact.com>

PHOENIX CONTACT (I) Pvt. Ltd.  
A-58/2, Okhla Industrial Area, Phase - II, New Delhi-110 020

+91.1275.71420  
[info@phoenixcontact.co.in](mailto:info@phoenixcontact.co.in)

单击下面可查看定价，库存，交付和生命周期等信息

[>>Phoenix Contact\(菲尼克斯\)](#)