

Electronic circuit breaker - CB E1 24DC/6A S-C P



2800926

<https://www.phoenixcontact.com/in/products/2800926>

Please be informed that the data shown in this PDF document is generated from our Online Catalog. Please find the complete data in the user documentation. Our General Terms of Use for Downloads are valid.



Electronic circuit breaker, 1-pos., active current limitation, status output and control input, plug for base element.

Your advantages

- Individually adjustable with protective plugs
- Individually adjustable with protective plugs
- Active current limitation to improve the capacity of the upstream power supply
- Remote switch-on and switch-off thanks to the controller function
- Increased system transparency with integrated remote message function

Electronic circuit breaker - CB E1 24DC/6A S-C P



2800926

<https://www.phoenixcontact.com/in/products/2800926>

Commercial Data

Order Key	2800926
Packing unit	1 pc
Minimum order quantity	1 pc
Sales Key	CLA
Product Key	CLA134
Catalog Page	Page 383 (C-4-2019)
GTIN	4046356690829
Weight per Piece (including packing)	34.6 g
Weight per Piece (excluding packing)	34.6 g
Customs tariff number	85362010
Country of origin	DE

Electronic circuit breaker - CB E1 24DC/6A S-C P



2800926

<https://www.phoenixcontact.com/in/products/2800926>

Technical Data

Notes

General	When mounted in rows without convection cooling, the nominal device current should only be led to a maximum of 80% due to the thermal effect during continuous operation (100% operating factor). Special precautionary measures must be taken in systems or machines, to prevent components from restarting (e.g., use of a safety PLC). Parallel connection of multiple circuit breakers is not permitted.
---------	--

Product properties

Type	Male
Number of positions	1
No. of channels	1

Insulation characteristics

Degree of pollution	2
---------------------	---

Electrical properties

No. of channels	1
Operating voltage	24 V DC
Operating voltage	18 V DC ... 30 V DC
Nominal current I_N	6 A
Rated surge voltage	0.5 kV
Tripping method	E (electronic)
Required backup fuse	not required, integrated failsafe element
Dielectric strength	max. 30 V DC (Load circuit)
Active current limitation	typ. $1.25 \times I_N$
Fuse	electronic
Closed circuit current I_0	typ. 8 mA (When switched on) typ. 11 mA (With status output)
Power dissipation	1.04 W (Nominal operation)
Temperature derating	5 A (at 50 °C)
Voltage drop	130 mV (at I_N)

Load circuit

Shutdown time	130 ms (see time/current characteristic curve)
Undervoltage switch-off	< 14 V (typ. OFF) > 17 V (typ. ON)
Max. capacitive load	20000 μ F

Auxiliary contact

Type of contact	Positive-switching signal output
-----------------	----------------------------------

Status output

Electronic circuit breaker - CB E1 24DC/6A S-C P

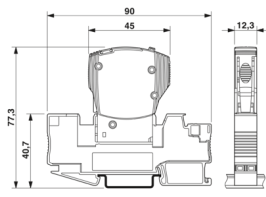


2800926

<https://www.phoenixcontact.com/in/products/2800926>

Output voltage	24 V DC
Output current	max. 0.2 A (Short-circuit-proof)

Dimensions

Dimensional drawing	
Width	12.3 mm
Width	12.3 mm
Height	45 mm
Height	45 mm
Depth	52 mm
Depth	52 mm
Complete module width	12.3 mm
Complete module height	90 mm
Complete module depth	77.3 mm

Material specifications

Color	gray
Flammability rating according to UL 94	V-0

Environmental and real-life conditions

Ambient conditions

Degree of protection	IP30 (Actuation area)
Ambient temperature (operation)	-25 °C ... 50 °C (non-condensing)
Ambient temperature (storage/transport)	-40 °C ... 70 °C
Humidity test	96 h, 95 % RH, 40 °C
Vibration (operation)	3g (according to IEC 60068-2-6, Test Fc)

Approval data

UL approval

Identification	UL Listed UL 508
	UL Recognized UL 2367

Shipbuilding approval

Identification	DNV GL
----------------	--------

Standards and regulations

Standards/specifications	EN 61000-6-3
Standards/specifications	EN 61000-6-2

Electronic circuit breaker - CB E1 24DC/6A S-C P



2800926

<https://www.phoenixcontact.com/in/products/2800926>

Mounting

Mounting type

on base element

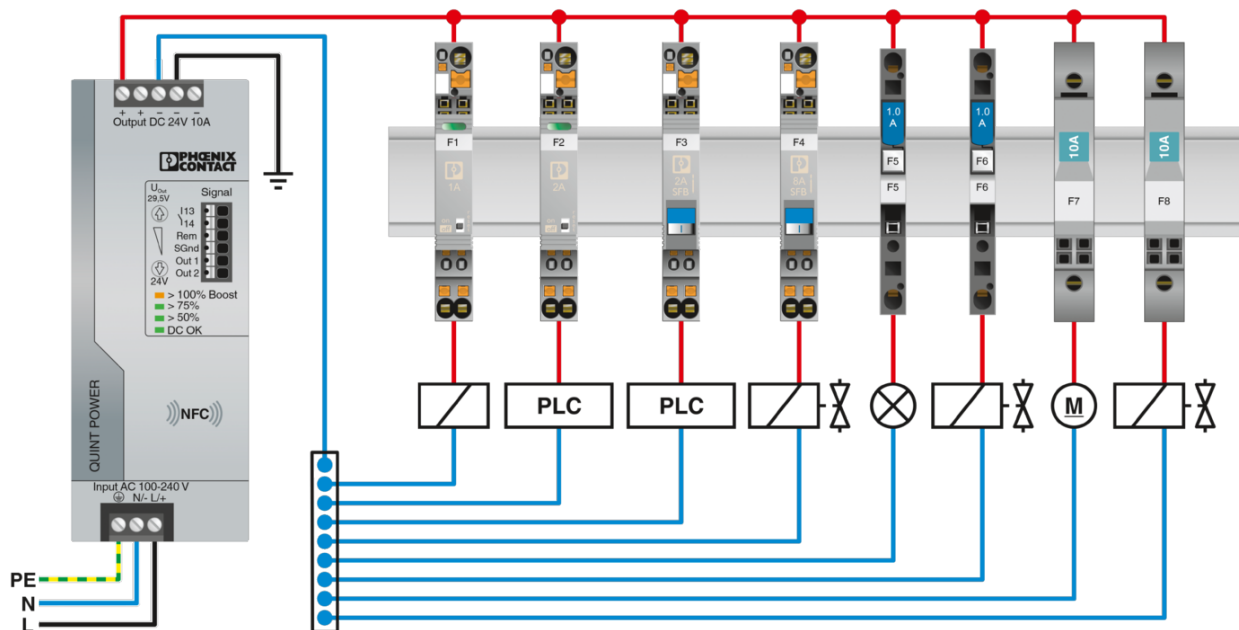
Electronic circuit breaker - CB E1 24DC/6A S-C P

2800926

<https://www.phoenixcontact.com/in/products/2800926>

Drawings

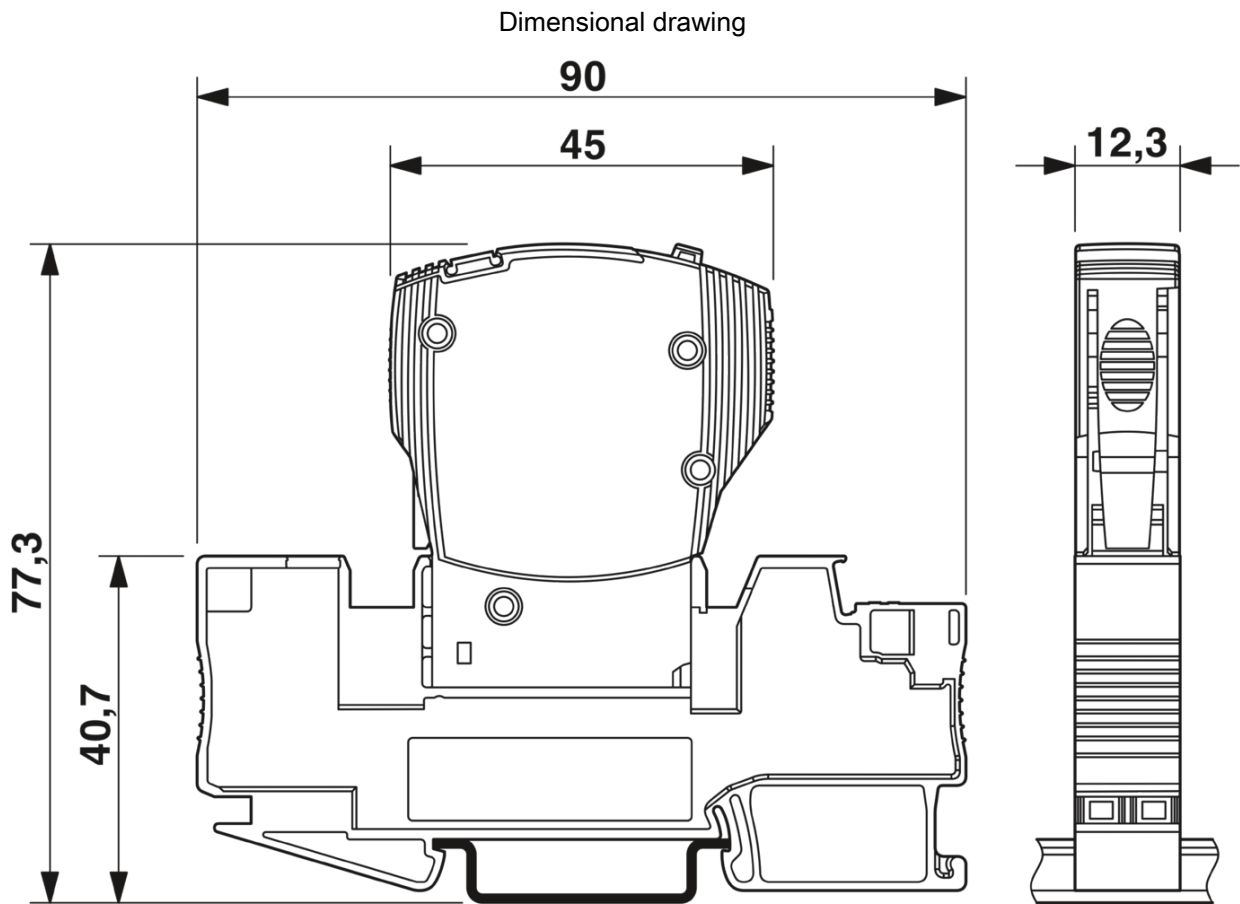
Application drawing



Electronic circuit breaker - CB E1 24DC/6A S-C P

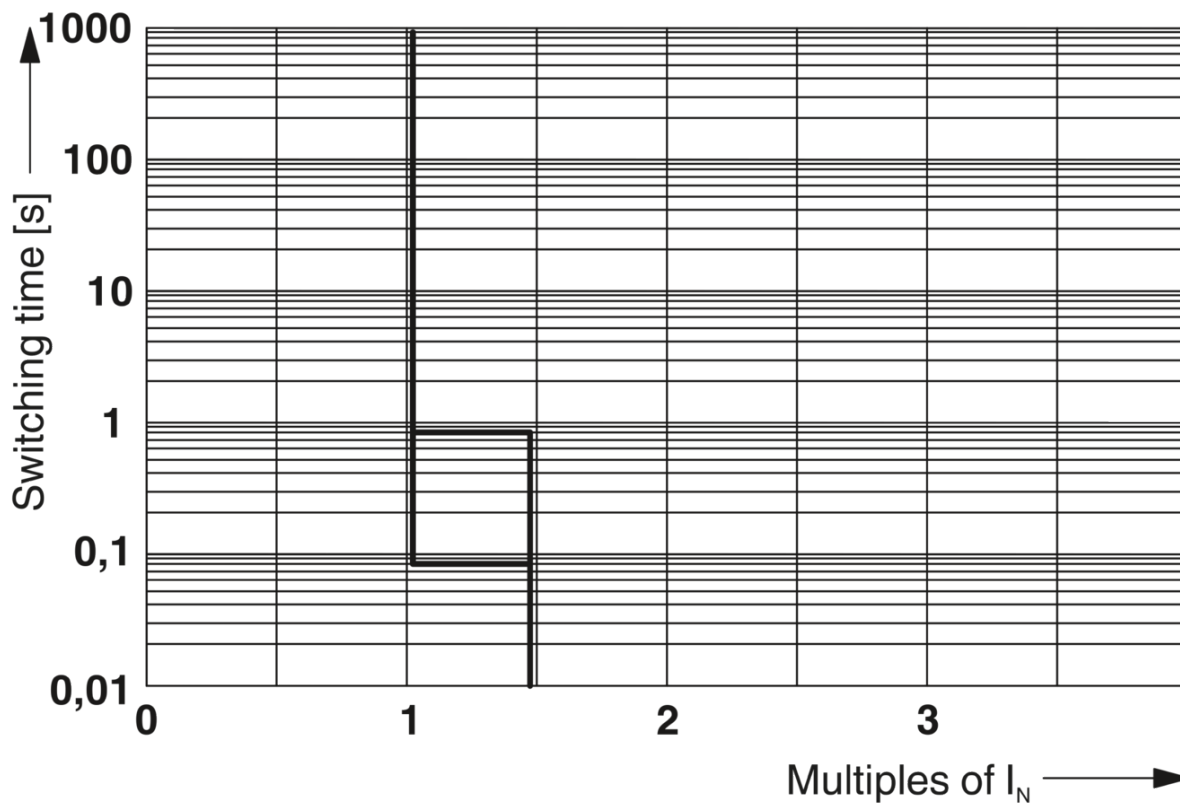
2800926

<https://www.phoenixcontact.com/in/products/2800926>



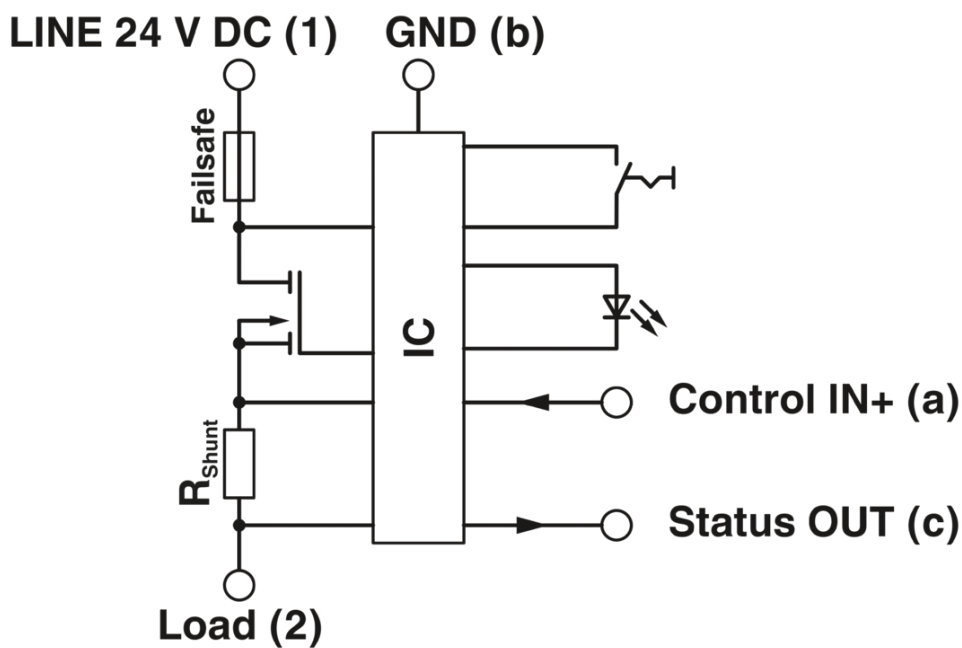
The figure shows the complete module consisting of a base element and connector

Diagram



Trigger characteristic

Circuit diagram



Electronic circuit breaker - CB E1 24DC/6A S-C P



2800926

<https://www.phoenixcontact.com/in/products/2800926>

Approvals

UL Recognized 

DNV GL 

UL Listed 

cUL Listed 

cULus Listed

Electronic circuit breaker - CB E1 24DC/6A S-C P



2800926

<https://www.phoenixcontact.com/in/products/2800926>

Classifications

ECLASS

ECLASS-9.0	27141116
ECLASS-10.0.1	27140401
ECLASS-11.0	27140401

ETIM

ETIM 6.0	EC000899
----------	----------

UNSPSC

UNSPSC 19.0	39121410
UNSPSC 20.0	39121410
UNSPSC 21.0	39121410

Electronic circuit breaker - CB E1 24DC/6A S-C P



2800926

<https://www.phoenixcontact.com/in/products/2800926>

Environmental Product Compliance

REACH SVHC	Lead 7439-92-1
China RoHS	Environmentally Friendly Use Period = 25; For details about hazardous substances go to tab "Downloads", Category "Manufacturer's declaration"

Electronic circuit breaker - CB E1 24DC/6A S-C P



2800926

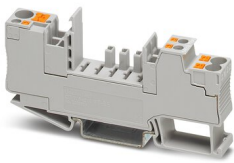
<https://www.phoenixcontact.com/in/products/2800926>

Mandatory Accessories

Base element

Base element - CB 1/6-2/4 PT-BE - 2800929

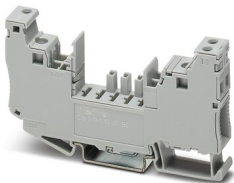
Base element with push-in connection technology for CB ... device circuit breakers



Base element

Base element - CB 1/10-1/10 UT-BE - 2801305

Base element with screw connection technology for CB... device circuit breakers



Accessories

Electronic circuit breaker - CB E1 24DC/6A S-C P



2800926

<https://www.phoenixcontact.com/in/products/2800926>

Zack Marker strip, flat

Zack Marker strip, flat - ZBF 12:UNBEDRUCKT - 0809735



Zack Marker strip, flat, Strip, white, unlabeled, can be labeled with: PLOTMARK, CMS-P1-PLOTTER, mounting type: snap in, for terminal block width: 12 mm, lettering field size: 5.15 x 12.15 mm, Number of individual labels: 5

Zack Marker strip, flat

Zack Marker strip, flat - ZBF 12 CUS - 0825018



Zack Marker strip, flat, can be ordered: Strip, white, labeled according to customer specifications, mounting type: snap into flat marker groove, for terminal block width: 12 mm, lettering field size: 5.15 x 12.15 mm, Number of individual labels: 5

Electronic circuit breaker - CB E1 24DC/6A S-C P



2800926

<https://www.phoenixcontact.com/in/products/2800926>

Front cutter

Front cutter - CUTFOX-FBS - 1212124



Cutting tool, for separating individual jumper bars from FBS ... plug-in bridges and EB ... insertion bridges

Plug-in bridge

Plug-in bridge - FBS 2-6 - 3030336



Plug-in bridge, pitch: 6.2 mm, color: red

Electronic circuit breaker - CB E1 24DC/6A S-C P



2800926

<https://www.phoenixcontact.com/in/products/2800926>

Plug-in bridge

Plug-in bridge - FBS 3-6 - 3030242



Plug-in bridge, pitch: 6.2 mm, color: red

Plug-in bridge

Plug-in bridge - FBS 4-6 - 3030255



Plug-in bridge, pitch: 6.2 mm, color: red

Electronic circuit breaker - CB E1 24DC/6A S-C P



2800926

<https://www.phoenixcontact.com/in/products/2800926>

Plug-in bridge

Plug-in bridge - FBS 5-6 - 3030349



Plug-in bridge, pitch: 6.2 mm, color: red

Plug-in bridge

Plug-in bridge - FBS 10-6 - 3030271



Plug-in bridge, pitch: 6.2 mm, color: red

Electronic circuit breaker - CB E1 24DC/6A S-C P



2800926

<https://www.phoenixcontact.com/in/products/2800926>

Plug-in bridge

Plug-in bridge - FBS 20-6 - 3030365



Plug-in bridge, pitch: 6.2 mm, color: red

Plug-in bridge

Plug-in bridge - FBS 50-6 - 3032224



Plug-in bridge, pitch: 6.2 mm, color: red

Electronic circuit breaker - CB E1 24DC/6A S-C P



2800926

<https://www.phoenixcontact.com/in/products/2800926>

Bridge

Bridge - CB PT BRIDGE - 2801014



Bridge plug for bridging contacts 1 to 2 for CB base elements

Bridge

Bridge - CB RC BRIDGE - 2801616



Bridge plug for bridging contacts 11 to 14 for CB base elements

Phoenix Contact 2022 © - all rights reserved
<https://www.phoenixcontact.com>

PHOENIX CONTACT (I) Pvt. Ltd.
A-58/2, Okhla Industrial Area, Phase - II, New Delhi-110 020

+91.1275.71420
info@phoenixcontact.co.in

单击下面可查看定价，库存，交付和生命周期等信息

[>>Phoenix Contact\(菲尼克斯\)](#)