

PCB terminal block - MKDSP 10N/ 3-10,16



1774137

<https://www.phoenixcontact.com/in/products/1774137>

Please be informed that the data shown in this PDF document is generated from our Online Catalog. Please find the complete data in the user documentation. Our General Terms of Use for Downloads are valid.



PCB terminal block, nominal current: 76 A, rated voltage (III/2): 1000 V, nominal cross section: 16 mm², number of potentials: 3, number of rows: 1, number of positions per row: 3, product range: MKDSP 10N, pitch: 10.16 mm, connection method: Screw connection with tension sleeve, screw head form: L Slotted, mounting: Wave soldering, conductor/PCB connection direction: 0 °, color: green, Pin layout: Linear double pinning, Solder pin [P]: 5 mm, number of solder pins per potential: 2, type of packaging: packed in cardboard. The article can be aligned to create different nos. of positions!

Your advantages

- Well-known connection principle allows worldwide use
- Low temperature rise, thanks to maximum contact force
- Allows connection of two conductors
- Quick and convenient testing using integrated test option
- The latching on the side enables various numbers of positions to be combined
- Integrated protective guide prevents incorrect insertion of the conductor underneath the tension sleeve

PCB terminal block - MKDSP 10N/ 3-10,16



1774137

<https://www.phoenixcontact.com/in/products/1774137>

Commercial Data

Order Key	1774137
Packing unit	50 pc
Minimum order quantity	50 pc
Sales Key	AAB
Product Key	AANFFF
Catalog Page	Page 451 (C-1-2013)
GTIN	4046356481588
Weight per Piece (including packing)	22.741 g
Weight per Piece (excluding packing)	21.86 g
Customs tariff number	85369010
Country of origin	PL

1774137

<https://www.phoenixcontact.com/in/products/1774137>

Technical Data

Product properties

Type	PC terminal block can be aligned
Number of positions	3
Number of connections	3
Number of rows	1
Number of potentials	3
Pin layout	Linear double pinning

Electrical properties

Maximum load current	76 A (with 16 mm ² conductor cross section)
Rated voltage (II/2)	1000 V
Rated voltage (III/2)	1000 V
Rated surge voltage (II/2)	6 kV
Rated surge voltage (III/2)	8 kV
Rated surge voltage (III/3)	8 kV
Nominal voltage U _N	690 V
Nominal current I _N	76 A
Nominal current I _N	76 A

Connection data

Connection technology

Type	PC terminal block can be aligned
Nominal cross section	16 mm ²

Conductor connection

Connection method	Screw connection with tension sleeve
Conductor cross section solid	0.5 mm ² ... 16 mm ²
Conductor cross section flexible	0.5 mm ² ... 16 mm ²
Conductor cross section AWG	20 ... 6
Conductor cross section flexible, with ferrule without plastic sleeve	0.5 mm ² ... 16 mm ²
Conductor cross section, flexible, with ferrule, with plastic sleeve	0.5 mm ² ... 16 mm ²
2 conductors with same cross section, solid	0.5 mm ² ... 4 mm ²
2 conductors with same cross section, flexible	0.5 mm ² ... 4 mm ²
2 conductors with same cross section, flexible, with ferrule without plastic sleeve	0.5 mm ² ... 2.5 mm ²
2 conductors with the same cross section, flexible, with TWIN ferrule with plastic sleeve	0.5 mm ² ... 6 mm ²
Stripping length	10 mm
Torque	1.2 Nm ... 1.5 Nm

Mounting

PCB terminal block - MKDSP 10N/ 3-10,16



1774137

<https://www.phoenixcontact.com/in/products/1774137>

Drive form screw head	Slotted (L)
-----------------------	-------------

Material specifications

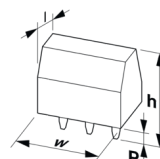
Material data - contact

Note	WEEE/RoHS-compliant, free of whiskers according to IEC 60068-2-82/JEDEC JESD 201
Contact material	Cu alloy
Surface characteristics	Tin-plated
Metal surface terminal point (top layer)	Tin (5 - 7 μm Sn)
Metal surface terminal point (middle layer)	Nickel (2 - 3 μm Ni)
Metal surface soldering area (top layer)	Tin (5 - 7 μm Sn)
Metal surface soldering area (middle layer)	Nickel (2 - 3 μm Ni)

Material data - housing

Housing color	green (6021)
Insulating material	PA
Insulating material group	I
CTI according to IEC 60112	600
Flammability rating according to UL 94	V0
Glow wire flammability index GWFI according to EN 60695-2-12	850
Glow wire ignition temperature GWIT according to EN 60695-2-13	775
Temperature for the ball pressure test according to EN 60695-10-2	125 °C

Dimensions

Dimensional drawing	
Width	30.48 mm
Height	34.3 mm
Installed height	29.3 mm
Length of the solder pin	5 mm
Length	18.4 mm
Length of the solder pin	5 mm
Pin dimensions	1 x 0.9 mm
Hole diameter	1.5 mm
Pitch	10.16 mm

Mechanical tests

Test for conductor damage and slackening

Specification	IEC 60998-2-1:2002-12
---------------	-----------------------

PCB terminal block - MKDSP 10N/ 3-10,16



1774137

<https://www.phoenixcontact.com/in/products/1774137>

Result	Test passed
--------	-------------

Pull-out test

Specification	IEC 60998-2-1:2002-12
Conductor cross section/conductor type/tractive force setpoint/actual value	0.5 mm ² / solid / > 20 N
	0.5 mm ² / flexible / > 20 N
	16 mm ² / solid / > 100 N
	16 mm ² / flexible / > 100 N

Torque test

Specification	IEC 60998-2-1:2002-12
---------------	-----------------------

Electrical tests

Electrical properties

Rated voltage (III/2)	1000 V
Rated surge voltage (III/2)	8 kV
Pollution degree	2

Temperature-rise test

Specification	IEC 60998-1:2002-12
Requirement temperature-rise test	Increase in temperature ≤ 45 K

Insulation resistance

Specification	IEC 60998-1:2002-12
Insulation resistance, neighboring positions	> 5 MΩ

Air clearances and creepage distances |

Specification	IEC 60664-1:2007-04
Insulating material group	I
Comparative tracking index (IEC 60112:2003-01)	CTI 600
Rated insulation voltage (III/3)	690 V
Rated surge voltage (III/3)	8 kV
minimum clearance value - non-homogenous field (III/3)	8 mm
minimum creepage distance (III/3)	8 mm
Rated insulation voltage (III/2)	1000 V
Rated surge voltage (III/2)	8 kV
minimum clearance value - non-homogenous field (III/2)	8 mm
minimum creepage distance (III/2)	5 mm
Rated insulation voltage (II/2)	1000 V
Rated surge voltage (II/2)	6 kV
minimum clearance value - non-homogenous field (II/2)	5.5 mm
minimum creepage distance (II/2)	5 mm

Environmental and real-life conditions

Vibration test

PCB terminal block - MKDSP 10N/ 3-10,16



1774137

<https://www.phoenixcontact.com/in/products/1774137>

Specification	IEC 60068-2-6:2007-12
Frequency	10 - 150 - 10 Hz
Sweep speed	1 octave/min
Amplitude	0.35 mm (10 - 60.1 Hz)
Sweep speed	5g (60.1 - 150 Hz)
Test duration per axis	2.5 h

Glow-wire test

Specification	IEC 60998-1:2002-12
Temperature	850 °C
Time of exposure	5 s

Ambient conditions

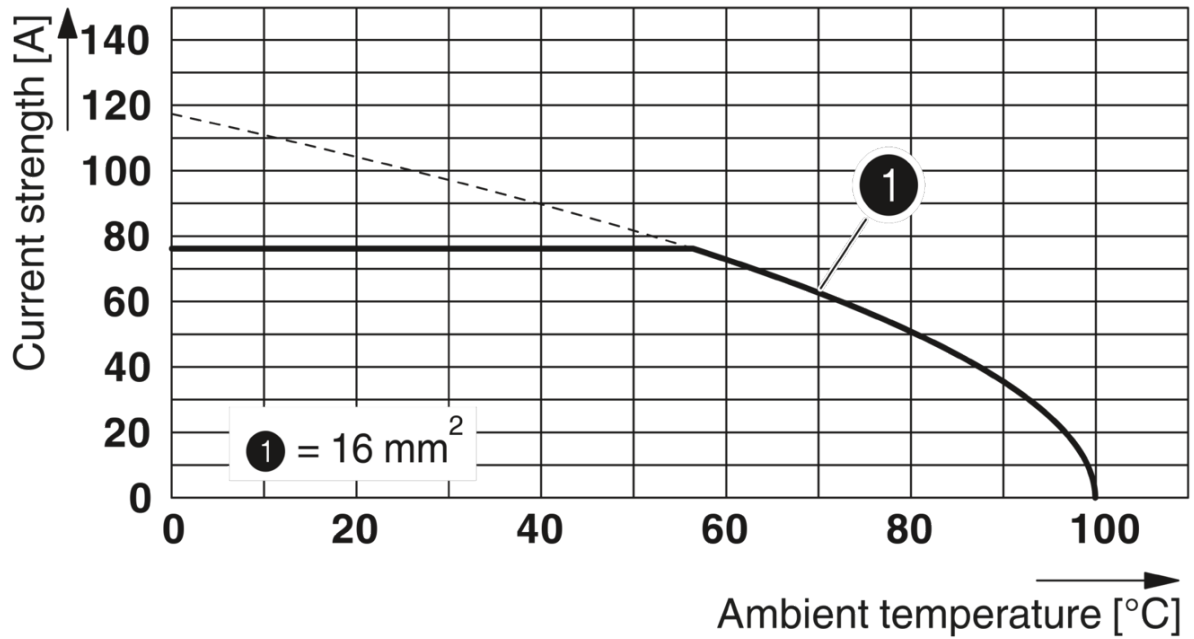
Ambient temperature (operation)	-40 °C ... 100 °C (Depending on the current carrying capacity/derating curve)
Ambient temperature (storage/transport)	-40 °C ... 70 °C
Relative humidity (storage/transport)	30 % ... 70 %
Ambient temperature (assembly)	-5 °C ... 100 °C

Packaging specifications

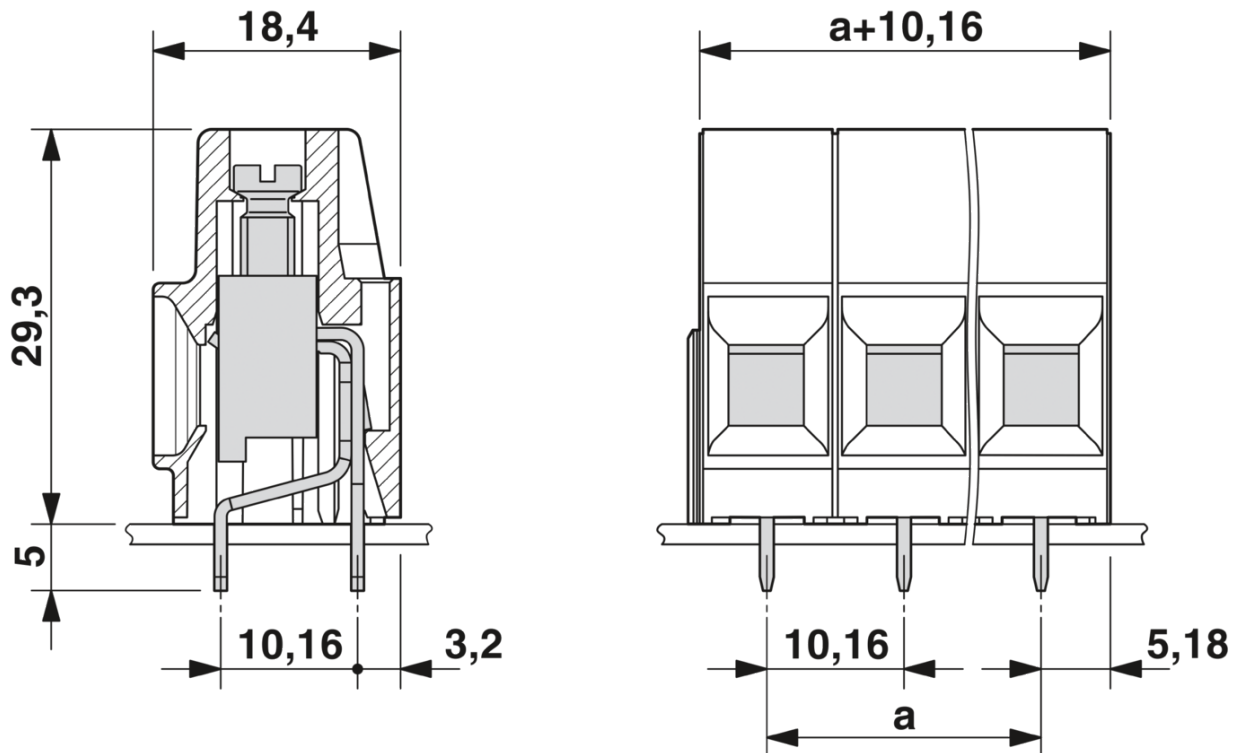
Type of packaging	packed in cardboard
-------------------	---------------------

Drawings

Diagram



Dimensional drawing



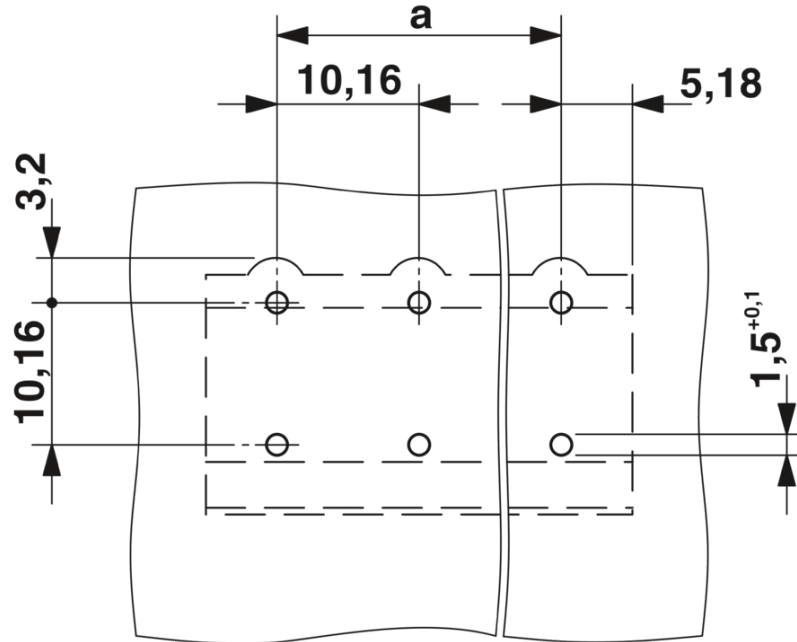
PCB terminal block - MKDSP 10N/ 3-10,16



1774137

<https://www.phoenixcontact.com/in/products/1774137>

Drilling plan/solder pad geometry




PCB terminal block - MKDSP 10N/ 3-10,16




1774137

<https://www.phoenixcontact.com/in/products/1774137>


Approvals

IECEE CB Scheme 	Nominal Voltage U_N	Nominal Current I_N	Cross Section AWG	Cross Section mm^2
	1000 V	76 A	-	0.5 - 16

EAC 
--

cULus Recognized 	Nominal Voltage U_N	Nominal Current I_N	Cross Section AWG	Cross Section mm^2
Use group B	300 V	60 A	20 - 6	-
Use group C	300 V	60 A	20 - 6	-
Use group D	600 V	5 A	20 - 6	-

CCA	Nominal Voltage U_N	Nominal Current I_N	Cross Section AWG	Cross Section mm^2
	1000 V	76 A	-	0.5 - 16

VDE Gutachten mit Fertigungsüberwachung 	Nominal Voltage U_N	Nominal Current I_N	Cross Section AWG	Cross Section mm^2
	1000 V	76 A	-	0.5 - 16

PCB terminal block - MKDSP 10N/ 3-10,16



1774137

<https://www.phoenixcontact.com/in/products/1774137>

Classifications

ECLASS

ECLASS-9.0	27440401
ECLASS-10.0.1	27440401
ECLASS-11.0	27460101

ETIM

ETIM 6.0	EC002643
----------	----------

UNSPSC

UNSPSC 19.0	39121432
UNSPSC 20.0	39121432
UNSPSC 21.0	39121432

PCB terminal block - MKDSP 10N/ 3-10,16



1774137

<https://www.phoenixcontact.com/in/products/1774137>

Environmental Product Compliance

China RoHS	Environmentally Friendly Use Period = 50 years For details about hazardous substances go to tab "Downloads", Category "Manufacturer's declaration"
------------	--

PCB terminal block - MKDSP 10N/ 3-10,16

1774137

<https://www.phoenixcontact.com/in/products/1774137>

Accessories

Screwdriver

Screwdriver - SZS 0,6X3,5 - 1205053



Actuation tool, for ST terminal blocks, insulated, also suitable for use as a bladed screwdriver, size: 0.6 x 3.5 x 100 mm, 2-component grip, with non-slip grip

Reducing plug

Reducing plug - RPS - 0201647



Reducing plug, color: gray

PCB terminal block - MKDSP 10N/ 3-10,16



1774137

<https://www.phoenixcontact.com/in/products/1774137>

Insulating sleeve

Insulating sleeve - MPS-IH WH - 0201663

Insulating sleeve, color: white



Insulating sleeve

Insulating sleeve - MPS-IH RD - 0201676

Insulating sleeve, color: red



PCB terminal block - MKDSP 10N/ 3-10,16



1774137

<https://www.phoenixcontact.com/in/products/1774137>

Insulating sleeve

Insulating sleeve - MPS-IH BU - 0201689

Insulating sleeve, color: blue



Insulating sleeve

Insulating sleeve - MPS-IH YE - 0201692

Insulating sleeve, color: yellow



PCB terminal block - MKDSP 10N/ 3-10,16



1774137

<https://www.phoenixcontact.com/in/products/1774137>

Insulating sleeve

Insulating sleeve - MPS-IH GN - 0201702

Insulating sleeve, color: green



Insulating sleeve

Insulating sleeve - MPS-IH GY - 0201728

Insulating sleeve, color: gray



PCB terminal block - MKDSP 10N/ 3-10,16

1774137

<https://www.phoenixcontact.com/in/products/1774137>



Insulating sleeve

Insulating sleeve - MPS-IH BK - 0201731

Insulating sleeve, color: black



Test plugs

Test plugs - MPS-MT - 0201744

Test plugs, with solder connection up to 1 mm² conductor cross section, color: gray



PCB terminal block - MKDSP 10N/ 3-10,16



1774137

<https://www.phoenixcontact.com/in/products/1774137>

Crimping pliers

Crimping pliers - CRIMPFOX 6 - 1212034



Crimping pliers, for ferrules without insulating collar according to DIN 46228 Part 1 and ferrules with insulating collar according to DIN 46228 Part 4, 0.25 mm² ... 6.0 mm², lateral entry, trapezoidal crimp

Crimping pliers

Crimping pliers - CRIMPFOX 16 S - 1207983



Crimping pliers for ferrules up to 16 mm²

Phoenix Contact 2022 © - all rights reserved
<https://www.phoenixcontact.com>

PHOENIX CONTACT (I) Pvt. Ltd.
A-58/2, Okhla Industrial Area, Phase - II, New Delhi-110 020

+91.1275.71420
info@phoenixcontact.co.in

单击下面可查看定价，库存，交付和生命周期等信息

[>>Phoenix Contact\(菲尼克斯\)](#)