



Description

The DW01 battery protection IC is designed to protect lithium-ion/polymer battery from damage or degrading the lifetime due to overcharge, overdischarge, and/or overcurrent for one-cell lithium-ion/polymer battery powered systems, such as cellular phones.

The ultra-small package and less required external components make it ideal to integrate the DW01 into the limited space of battery pack. The accurate $\pm 50\text{mV}$ overcharging detection voltage ensures safe and full utilization charging. The very low standby current drains little current from the cell while in storage.

Features

- High precision voltage detection circuit;
- Each delay time is set by internal circuit (no external capacitor is required);
- Over discharge recovery function;
- Low power consumption current;
- Allow to charge 0V battery;
- The recommended capacity of lithium-ion batteries is 1000mA/h or less;
- The loaded cell needs to be activated;
- Operating temperature range: $-40^{\circ}\text{C}\sim+85^{\circ}\text{C}$
- Miniature Package: SOT-23-6.

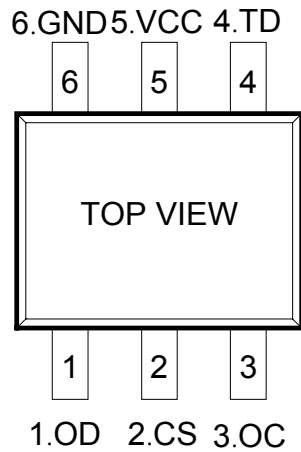
Applications

- Protection IC for One-Cell Lithium-Ion /Lithium-Polymer Battery Pack



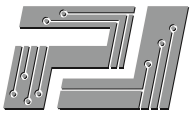
Pin Distribution

SOT-23-6



Pin Function

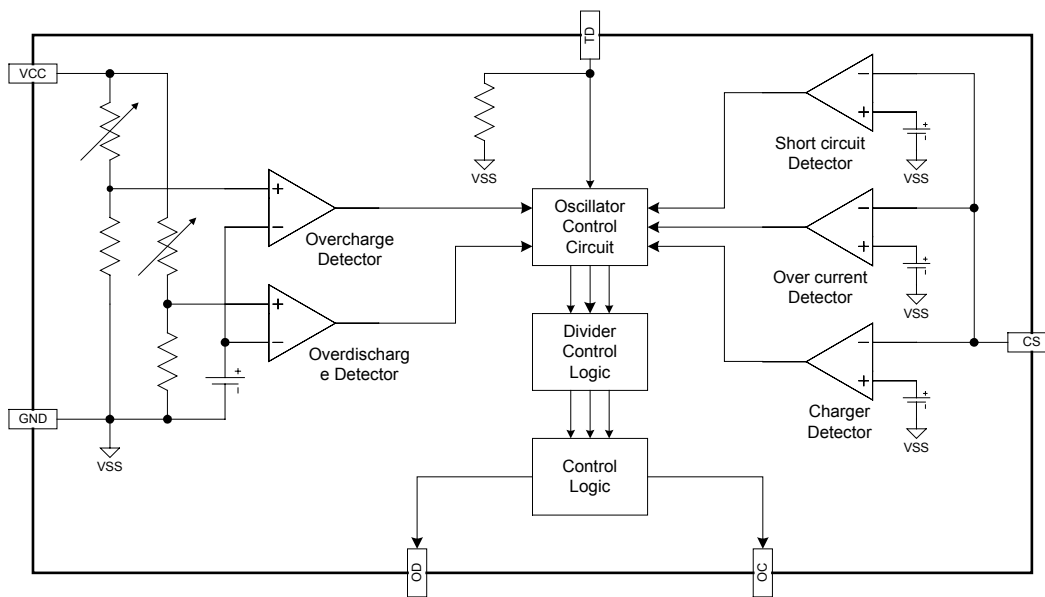
Pin No.	Symbol	Description
1	OD	MOSFET gate connection pin for discharge control
2	CS	Input pin for current sense, charger detect
3	OC	MOSFET gate connection pin for charge control
4	TD	Test pin for reduce delay time
5	VCC	Power supply, through a resistor (R1)
6	GND	Ground pin



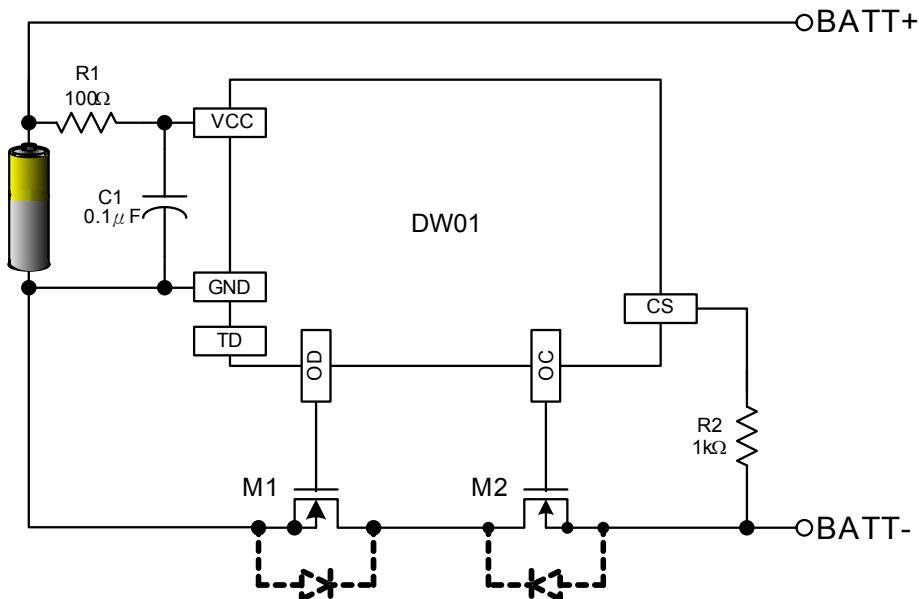
Product Name List

parameter	Overcharge detection voltage	Overcharge release voltage	Overdischarge detection voltage	Overdischarge release voltage	Charging function to 0V battery	Extra Functions
Model	VOCP	VOCR	VODP	VODR	V0V	-
DW01	4.30V	4.10V	2.40V	3.00V	allow	self-recovery function

Block Diagram



Typical Application Circuit





Absolute Maximum Ratings

(Ta=25°C unless otherwise specified)

Item	Symbol	Rating	Unit
Input voltage between VCC and GND ^{Note}	VCC	GND-0.3~GND+10	V
OC output pin voltage	VOC	VCC-14~VCC+0.3	V
OD output pin voltage	VOD	GND-0.3~VCC+0.3	V
CS input pin voltage	VCS	VCC-14~VCC+0.3	V
Operating Temperature Range	TOP	-40~+85	°C
Storage Temperature Range	TST	-40~+125	°C

Note: DW01 contains a circuit that will protect it from static discharge; but please take special care that no excessive static electricity or voltage which exceeds the limit of the protection circuit will be applied to it.

Absolute Maximum Ratings

(TA =25°C unless otherwise specified)

PARAMETER	TEST CONDITIONS	SYMBOL	Min	Typ	Max	UNIT
Operating Voltage	VCC	VCC	2	3.6	5	V
Supply Current	VCC=3.9V	ICC	1.8	3.0	6.0	uA
Power-Down Current	VCC=2.0V	IPD		0.1	0.6	uA
Overdischarge self-restoring current	VCC=2.0V	IOD		2.0	3.0	uA
Overcharge Protection Voltage		VOCP	4.25	4.30	4.35	V
Overcharge Release Voltage		VOCR	4.05	4.10	4.15	V
Overdischarge Protection Voltage		VODP	2.30	2.40	2.50	V
Overdischarge Release Voltage		VODR	2.90	3.00	3.10	V
Overcurrent Protection Voltage		VOI1	120	150	180	mV
Short Current Protection Voltage	VCC=3.6V	VOI2	0.70	1.00	1.30	V
Overcharge Delay Time		TOC		100	200	ms
Overdischarge Delay Time	VCC=3.6V to 2.0V	TOD		50	100	ms
Overcurrent Delay Time (1)	VCC=3.6V	TOI1		10	20	ms
Overcurrent Delay Time (2)	VCC=3.6V	TOI2		50	400	us
Charge overcurrent delay time	VCC=3.6V, CS=-1.2V	TCIP		10	20	ms
Load detection voltage		VLD	0.12	0.15	0.18	V
Charger Detection Threshold Voltage		VCH	-1.2	-0.7	-0.2	V
Charging overcurrent detection voltage		VCIP	-1.2	-0.7	-0.2	V
OD Pin Output "H" Voltage		VODH	VCC-0.1	VCC-0.02		V
OD Pin Output "L" Voltage		VODL		0.1	0.5	V
OC Pin Output "H" Voltage		VOCH	VCC-0.1	VCC-0.02		V
OC Pin Output "L" Voltage		VOCL		0.1	0.5	V
Charger starting voltage (Allow charging to 0V battery)	Allow charging to 0V battery	VOV	1.2	-	-	V
battery voltage (Do not charge 0V battery)	Do not charge 0V battery	V0IN	-	-	0.5	V



Description of Operation

1. Overcharge Protection

When the voltage of the battery cell exceeds the overcharge protection voltage (V_{OCP}) beyond the overcharge delay time (T_{OC}) period, charging is inhibited by turning off of the charge control MOSFET. The overcharge condition is released in two cases:

- 1) The voltage of the battery cell becomes lower than the overcharge release voltage (V_{OCR}) through self-discharge.
- 2) The voltage of the battery cell falls below the overcharge protection voltage (V_{OCP}) and a load is connected.

When the battery voltage is above V_{OCP} , the overcharge condition will not release even a load is connected to the pack.

2. Overdischarge Protection

When the voltage of the battery cell goes below the overdischarge protection voltage (V_{ODP}) beyond the overdischarge delay time (T_{OD}) period, discharging is inhibited by turning off the discharge control MOSFET. The default of overdischarge delay time is 10ms. Inhibition of discharging is immediately released when the voltage of the battery cell becomes higher than overdischarge release voltage (V_{ODR}) through charging.

3. Overcurrent Protection

In normal mode, the DW01 continuously monitors the discharge current by sensing the voltage of CS pin. If the voltage of CS pin exceeds the overcurrent protection voltage (V_{OIP}) beyond the overcurrent delay time (T_{OI1}) period, the overcurrent protection circuit operates and discharging is inhibited by turning off the discharge control MOSFET. The overcurrent condition returns to the normal mode when the load is released or the impedance between BATT+ and BATT- is larger than 500k Ω . The DW01 provides two overcurrent detection levels (0.15V and 1.35V) with two overcurrent delay time (T_{OI1} and T_{OI2}) corresponding to each overcurrent detection level.

4. Charge Detection after Overdischarge

When overdischarge occurs, the discharge control MOSFET turns off and discharging is inhibited. However, charging is still permitted through the parasitic diode of MOSFET. Once the charger is connected to the battery pack, the DW01 immediately turns on all the timing generation and detection circuitry. Charging progress is sensed if the voltage between CS and GND is below charge detection threshold voltage (V_{CH}).

5. Power-Down after Overdischarge

When overdischarge occurs, the DW01 will enter into power-down mode, turning off all the timing generation and detection circuitry to reduce the quiescent current to 0.1 μ A ($V_{CC}=2.0V$). At the same time, the CS pin is pull-up to V_{CC} through an internal resistor.



Design Guide

1. Selection of External Control MOSFET

Because the overcurrent protection voltage is preset, the threshold current for overcurrent detection is determined by the turn-on resistance of the charge and discharge control MOSFETs. The turn-on resistance of the external control MOSFETs can be determined by the equation: $R_{ON} = V_{OIP} / (2 \times I_T)$ (I_T is the overcurrent threshold current). For example, if the overcurrent threshold current I_T is designed to be 3A, the turn-on resistance of the external control MOSFET must be 25m Ω . Be aware that turn-on resistance of the MOSFET changes with temperature variation due to heat dissipation. It changes with the voltage between gate and source as well. (Turn-on resistance of MOSFET increases as the voltage between gate and source decreases). As the turn-on resistance of the external MOSFET changes, the design of the overcurrent threshold current changes accordingly.

2. Suppressing the Ripple and Disturbance from Charger

To suppress the ripple and disturbance from charger, connecting R1 and C1 to VCC is recommended.

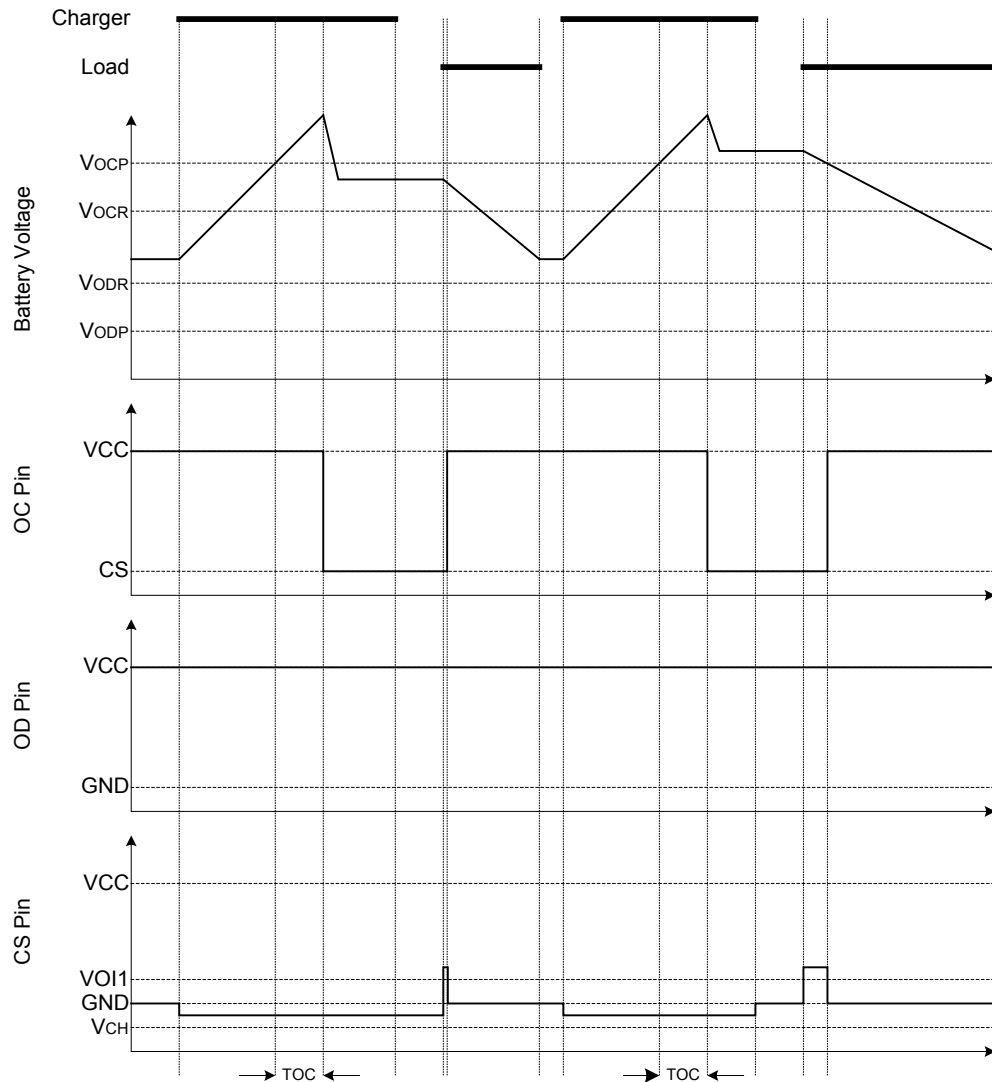
3. Protection the CS pin

R2 is used for latch-up protection when charger is connected under overdischarge condition and overstress protection at reverse connecting of a charger.



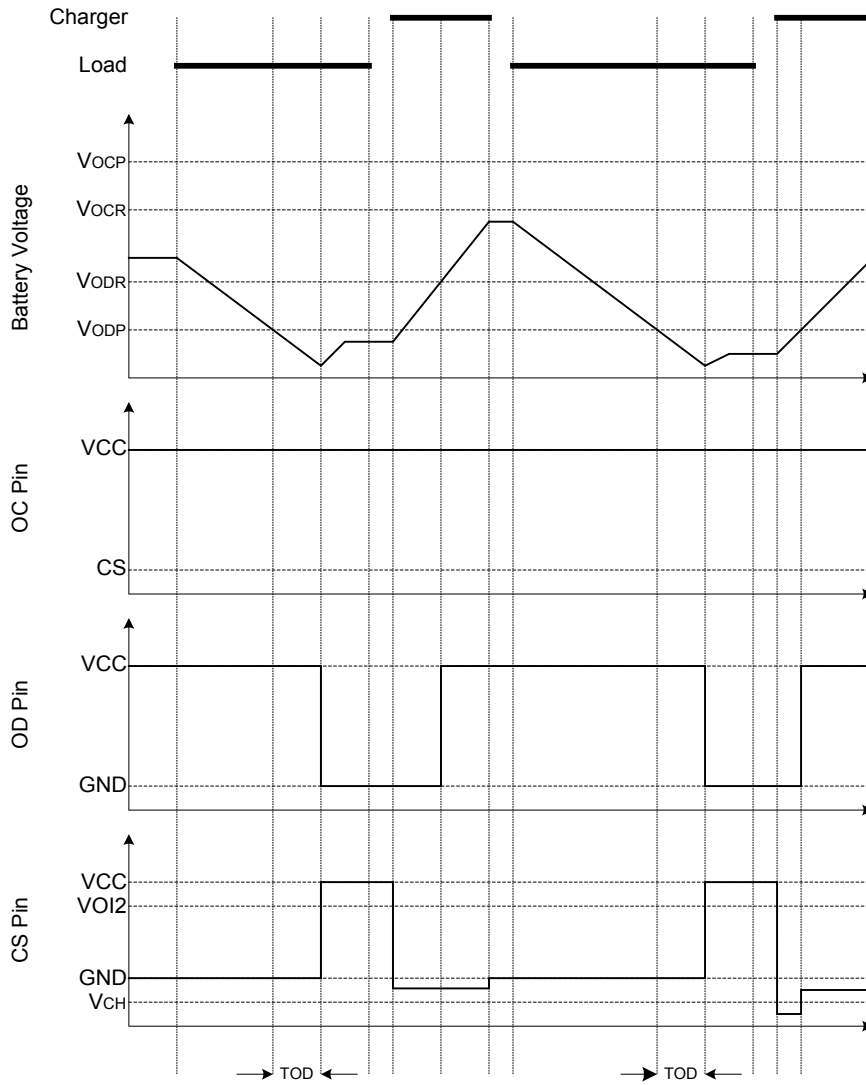
Timing Diagram

1. Overcharge Condition → Load Discharging → Normal Condition



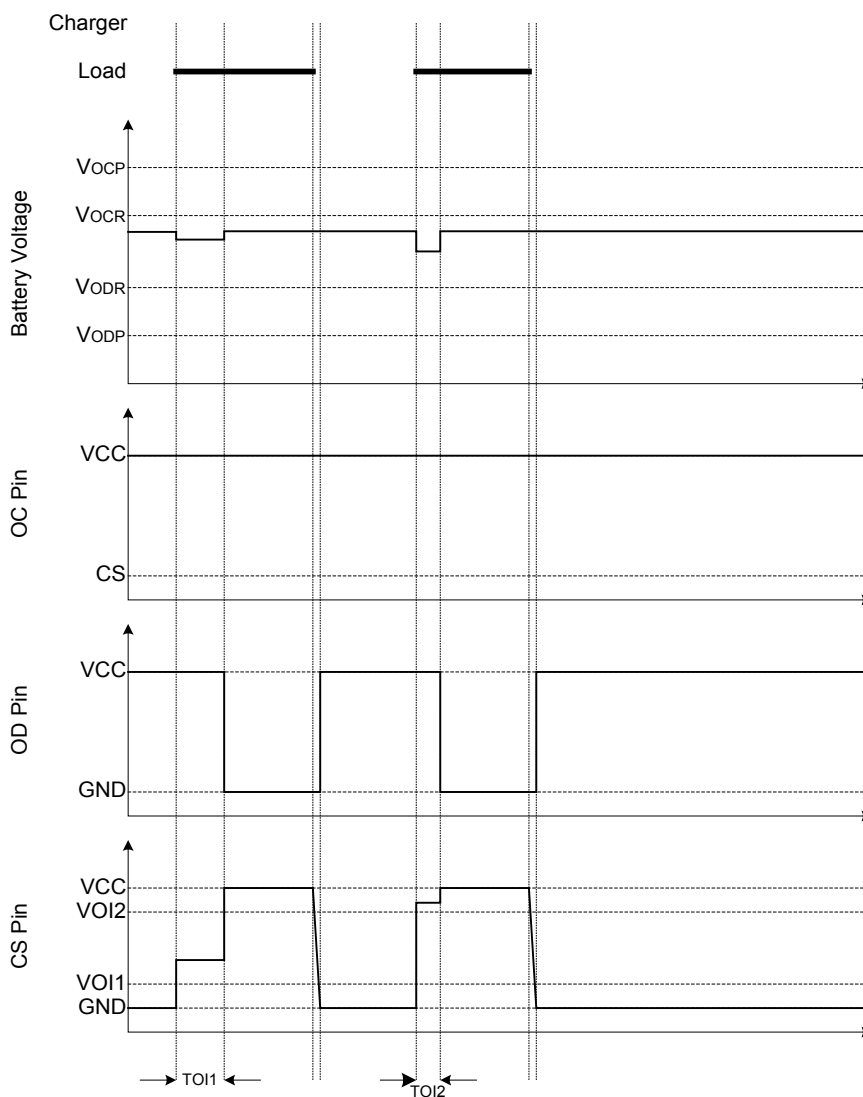


2. Overdischarge Condition → Charging by a Charger → Normal Condition





3. Over Current Condition → Normal Condition

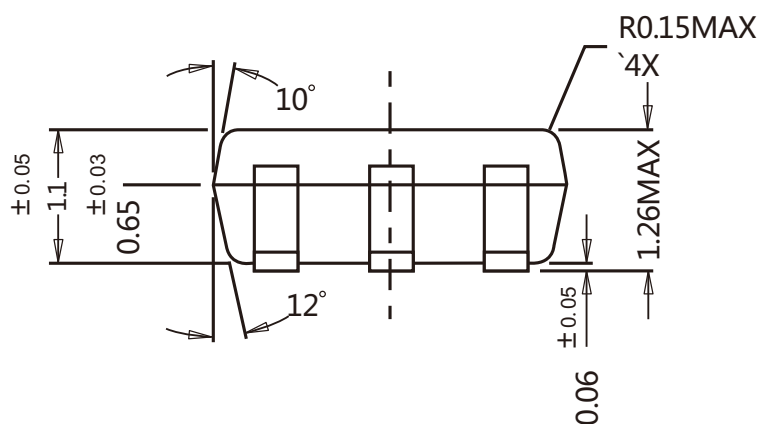
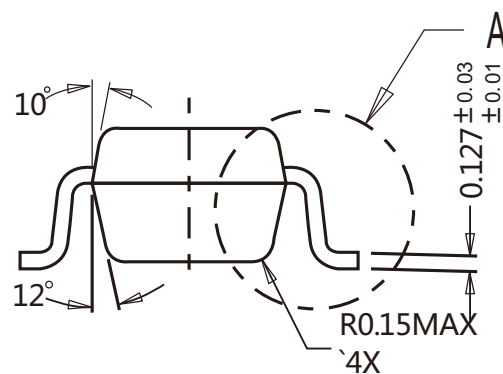
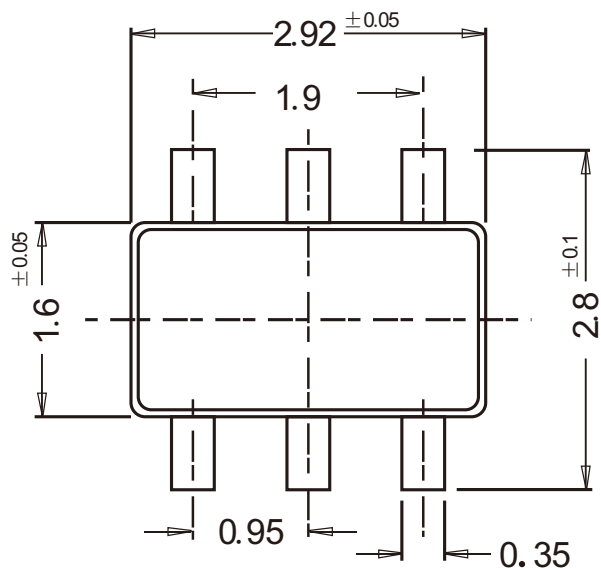




Package Outline

SOT-23-6

Dimensions in mm



Ordering Information

Device	Package	Shipping
DW01	SOT-23-6	3,000/ Tape & Reel (7 inches)

单击下面可查看定价，库存，交付和生命周期等信息

[>>PJSEMI\(平晶微\)](#)