



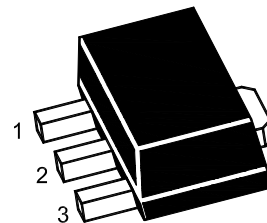
# PJ78S06SQ

## 3-Terminal Voltage Regulator

### Features

- Input voltage: up to 30V
- Output voltage: 6V
- Output current up to 200 mA, internal thermal overload protection and short-circuit current limiting.

### SOT-89



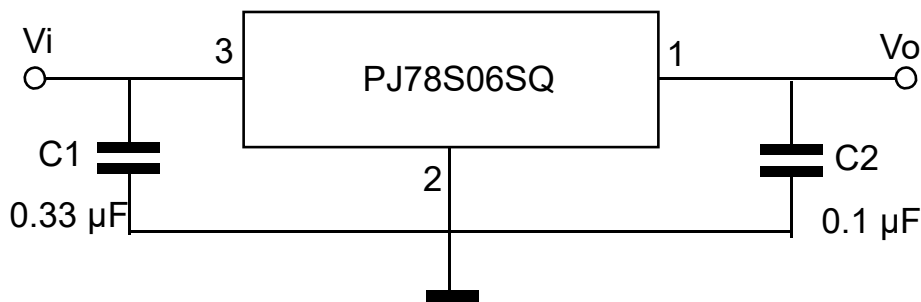
1. VOUT 2. GND 3. VIN

Marking Code : 78S06

### Absolute Maximum Ratings

Ratings at 25°C ambient temperature unless otherwise specified.

Parameter	Symbol	Value	Unit
Input Voltage	$V_I$	30	V
Output Current	$I_O$	200	mA
Maximum Power Dissipation	$P_D$	500	mW
Junction Temperature	$T_J$	125	°C
Operating Temperature Range	$T_{OPR}$	-40 to +120	°C
Storage Temperature Range	$T_{STG}$	-40 to +150	°C





# PJ78S06SQ

## 3-Terminal Voltage Regulator

### Electrical Characteristics

Ratings at  $0^{\circ}\text{C} \leq T_J \leq 125^{\circ}\text{C}$ ,  $V_I = 11\text{V}$ ,  $I_O = 40\text{mA}$ ,  $C_I = 0.33\mu\text{F}$ ,  $C_O = 0.1\mu\text{F}$ , unless otherwise specified.

Parameter	Symbol	Test Conditions	Min.	Typ.	Max.	Unit
Output Voltage	$V_O$	$T_J = 25^{\circ}\text{C}$	5.75	6.0	6.25	V
		$I_O = 1\text{mA to } 80\text{mA}$ , $V_I = 8.5\text{V to } 20\text{V}$	5.7	6.0	6.3	V
		$I_O = 1\text{mA to } 140\text{mA}$	5.7	6.0	6.3	V
Line Regulation	$\Delta V_O$	$V_I = 8.5\text{V to } 20\text{V}$ , $T_J = 25^{\circ}\text{C}$	--	12	150	mV
		$V_I = 9\text{V to } 20\text{V}$ , $T_J = 25^{\circ}\text{C}$	--	6	100	mV
Load Regulation	$\Delta V_O$	$I_O = 1\text{mA to } 200\text{mA}$ , $T_J = 25^{\circ}\text{C}$	--	18	60	mV
		$I_O = 1\text{mA to } 80\text{mA}$ , $T_J = 25^{\circ}\text{C}$	--	12	30	mV
Ripple Rejection	RR	$V_I = 9\text{V to } 20\text{V}$ , $f = 120\text{Hz}$ , $T_J = 25^{\circ}\text{C}$	38	46	--	dB
Dropout Voltage	$V_D$		--	1.7	--	V
Quiescent Current	$I_Q$	$T_J = 25^{\circ}\text{C}$	--	2	5.5	mA
Quiescent Current Change	$\Delta I_Q$	$V_I = 9\text{V to } 20\text{V}$	--	--	1.5	mA
		$I_O = 1\text{mA to } 80\text{mA}$	--	--	0.1	mA
Output Noise Voltage	$V_N$	$10\text{Hz} \leq f \leq 100\text{KHz}$	--	50	--	$\mu\text{V}$



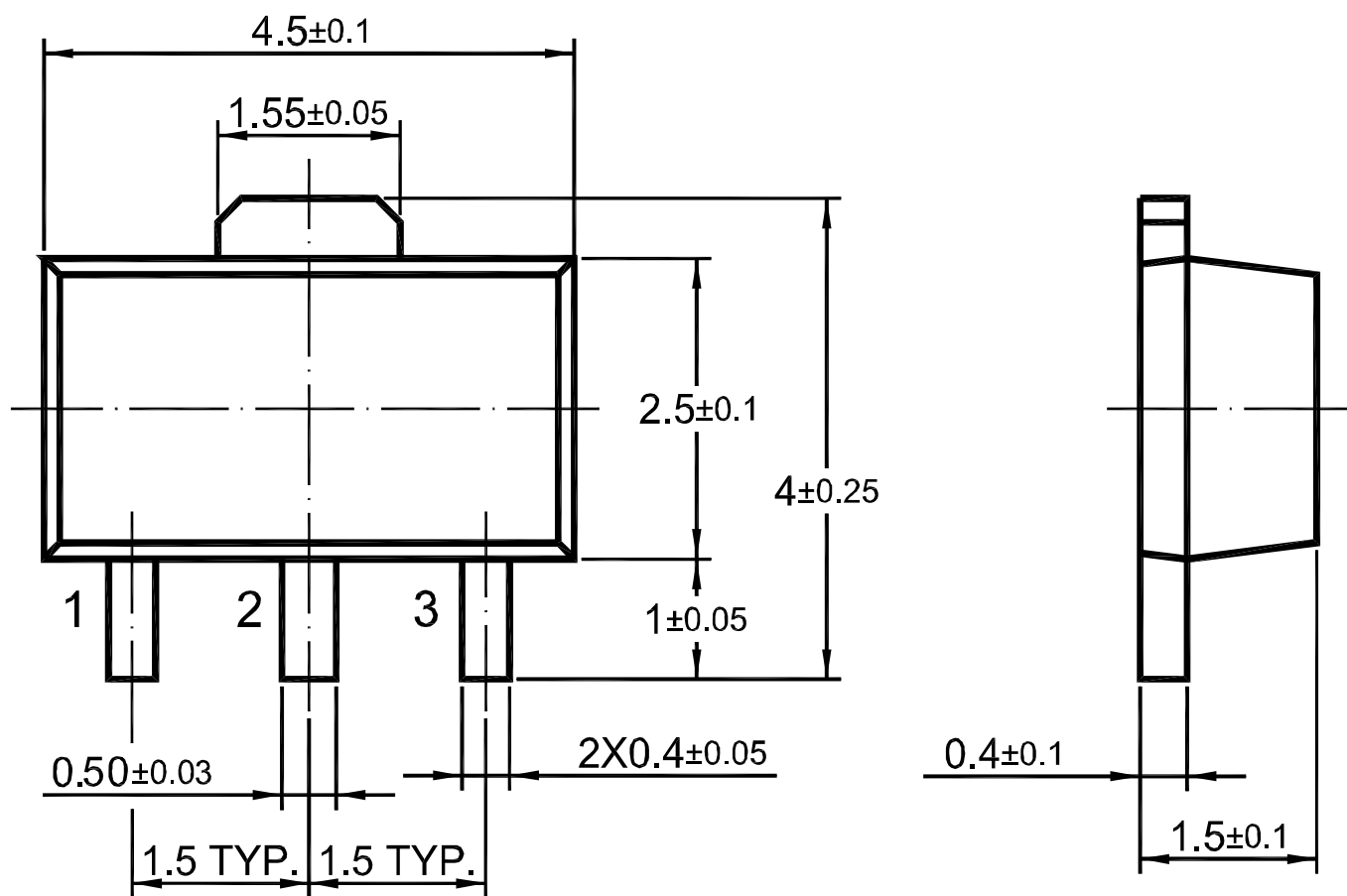
# PJ78S06SQ

## 3-Terminal Voltage Regulator

### Package Outline

SOT-89

Dimensions in mm



### Ordering Information

Device	Package	Shipping
PJ78S06SQ	SOT-89	1,000PCS/Reel&7inches
		3,000PCS/Reel&13inches

单击下面可查看定价，库存，交付和生命周期等信息

[>>PJSEMI\(平晶微\)](#)