



Description

The PJ75B Series are a set of three-terminal low power high voltage regulators implemented in CMOS technology. They allow input voltages as high as 36V.

The PJ75B Series are designed specifically for portable battery-powered applications which require ultra-low quiescent current. The very-low consumption of type 2.5 μ A ensures long battery life and dynamic transient boost feature improves device transient response for wireless communication applications.

The device features integrated short-circuit and thermal shutdown protection.

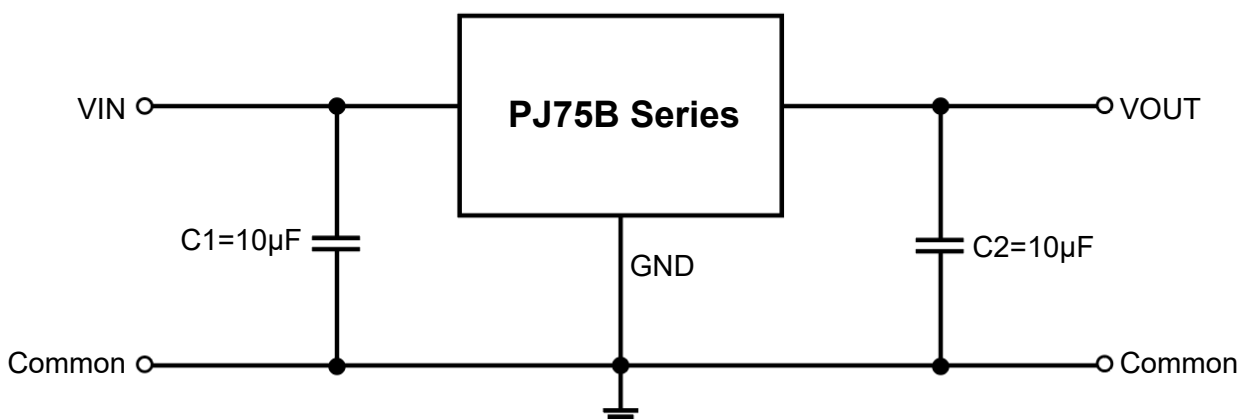
Features

- Wide Input Voltage Range: 3V~36V
- Maximum Output Current: 200mA
- Standard Fixed Output Voltage Options: 1.8V,3.0V,3.3V,3.6V,5.0V
- Low Quiescent Current: 2.5 μ A
- PSRR=68dB@1KHz
- Low Dropout: 620mV @ 100mA, $V_{OUT}=3.3V$
- Low Output Voltage Accuracy: $\pm 2\%$
- Short Circuit Protection
- Thermal Shutdown Protection
- Available Packages: SOT-23, SOT-23-3, SOT-89, SOT-23-5 and DFN2x2C-6L

Applications

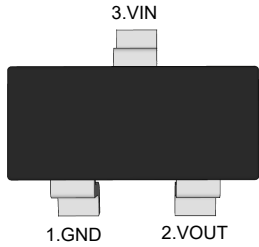
- Battery-Powered Equipment
- Ultra Low Power Microcontrollers
- Security Monitoring Equipment

Typical Application Circuit



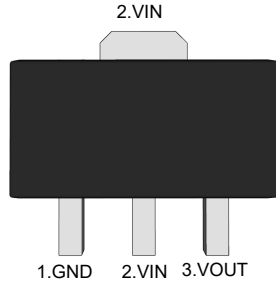
Pin Distribution

SOT-23



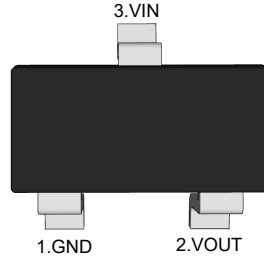
(Top View)

SOT-89



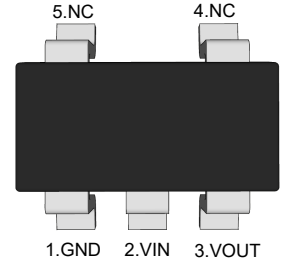
(Top View)

SOT-23-3



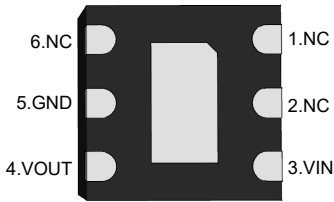
(Top View)

SOT-23-5



(Top View)

DFN2x2C-6L

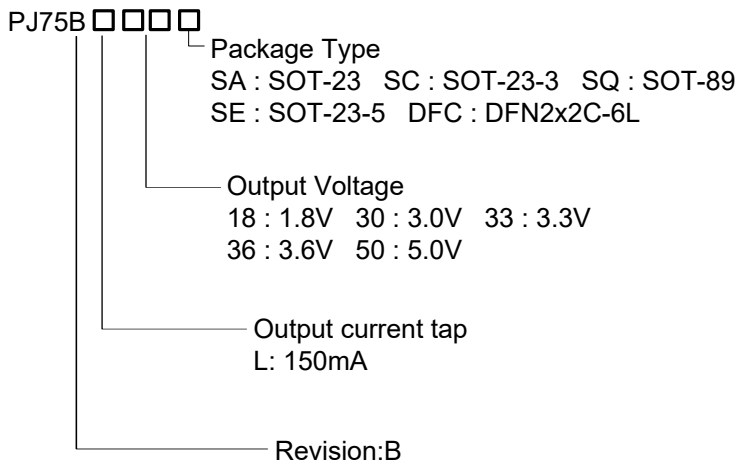


Bottom View

Functional Pin Description

Pin Name	Pin Function
NC	NO Connected
GND	Ground
VOUT	Output Voltage
VIN	Power Input Voltage

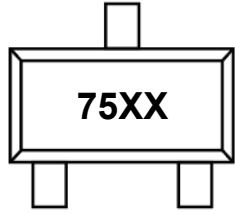
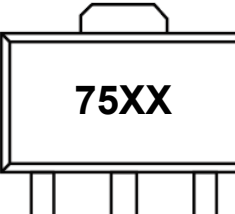
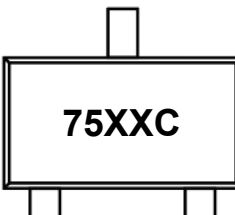
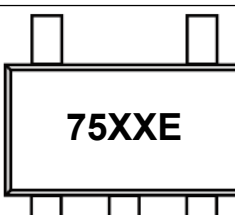
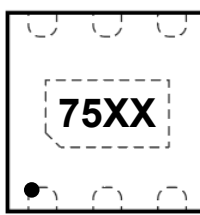
Ordering Information





PJ75B Series Low Dropout Regulators

Ordering Information Continue

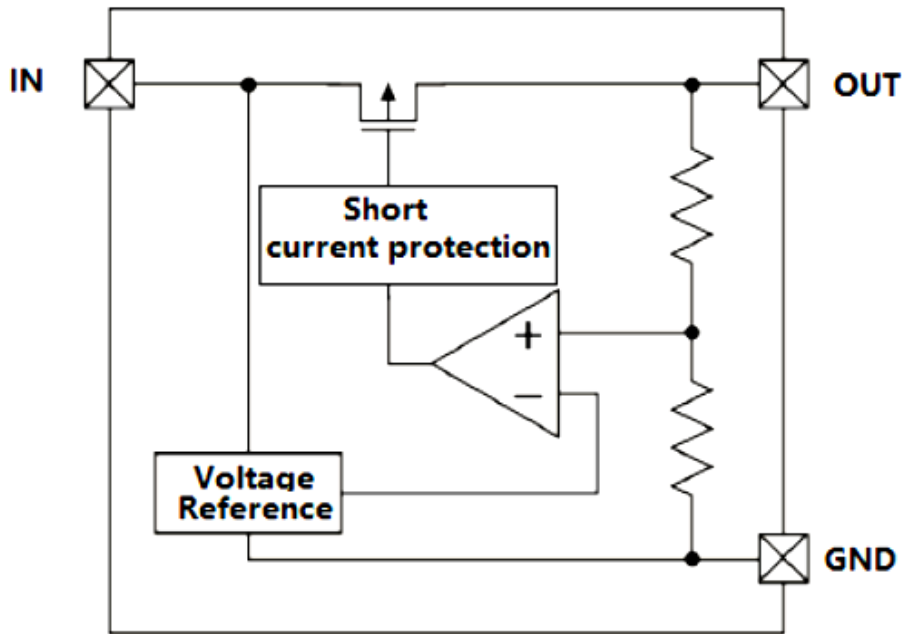
Orderable Device	Package	Reel (inch)	Package Qty (PCS)	Eco Plan ^{Note}	MSL Level	Marking Code
PJ75BL18SA	SOT-23	7	3000	RoHS & Green	MSL1	 <p>XX:Output Voltage e.g. 30:3.0V</p>
PJ75BL30SA						
PJ75BL33SA						
PJ75BL36SA						
PJ75BL50SA						
PJ75BL18SQ	SOT-89	7/13	1000/3000	RoHS & Green	MSL1	 <p>XX:Output Voltage e.g. 30:3.0V</p>
PJ75BL30SQ						
PJ75BL33SQ						
PJ75BL36SQ						
PJ75BL50SQ						
PJ75BL18SC	SOT-23-3	7	3000	RoHS & Green	MSL3	 <p>XX:Output Voltage e.g. 30:3.0V</p>
PJ75BL30SC						
PJ75BL33SC						
PJ75BL36SC						
PJ75BL50SC						
PJ75BL18SE	SOT-23-5	7	3000	RoHS & Green	MSL3	 <p>XX:Output Voltage e.g. 30:3.0V</p>
PJ75BL30SE						
PJ75BL33SE						
PJ75BL36SE						
PJ75BL50SE						
PJ75BL18DFC	DFN2x2C-6L	7	3000	RoHS & Green	MSL1	 <p>XX:Output Voltage e.g. 30:3.0V</p>
PJ75BL30DFC						
PJ75BL33DFC						
PJ75BL36DFC						
PJ75BL50DFC						

Note:

RoHS: PJ defines "RoHS" to mean semiconductor products that are compliant with the current EU RoHS requirements for all 10 RoHS substances, including the requirement that RoHS substance do not exceed 0.1% by weight in homogeneous materials.

Green: PJ defines "Green" to mean Halogen-Free and Antimony-Free.

Function Block Diagram





Absolute Maximum Ratings

Ratings at 25°C ambient temperature unless otherwise specified.

Parameter		Value	Unit
Supply Voltage		-0.3 ~ +40	V
Power Dissipation	SOT-23	300	mW
	SOT-23-3	400	mW
	SOT-23-5	400	mW
	SOT-89	600	mW
	DFN2x2C-6L	1000	mW
Thermal Resistance, Junction-to-Ambient	SOT-23	330	°C/W
	SOT-23-3	380	°C/W
	SOT-23-5	380	°C/W
	SOT-89	180	°C/W
	DFN2x2C-6L	100	°C/W
Operating Junction Temperature		-40 ~ +125	°C
Storage Temperature Range		-65 ~ +150	°C
Lead Temperature (Soldering, 10 sec)		300	°C
ESD Voltage	HBM	±4000	V

Note1: Exceed these limits to damage to the device. Exposure to absolute maximum rating conditions may affect.

Recommended Operating Conditions

Parameter	Value	Unit
Supply Voltage	3~36	V
Maximum Output Current	200	mA
Operating Ambient Temperature	-40 ~ +125	°C



PJ75B Series Low Dropout Regulators

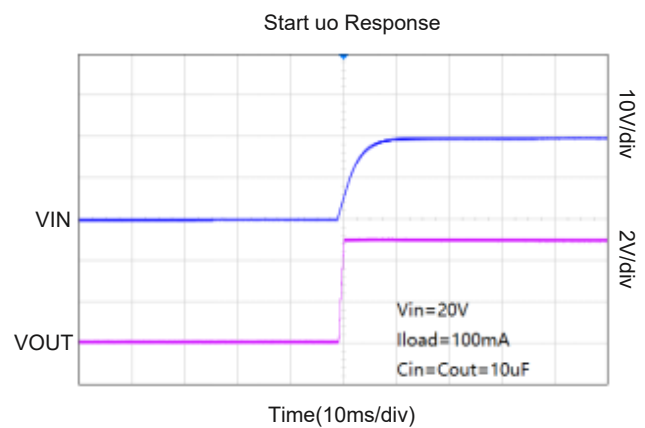
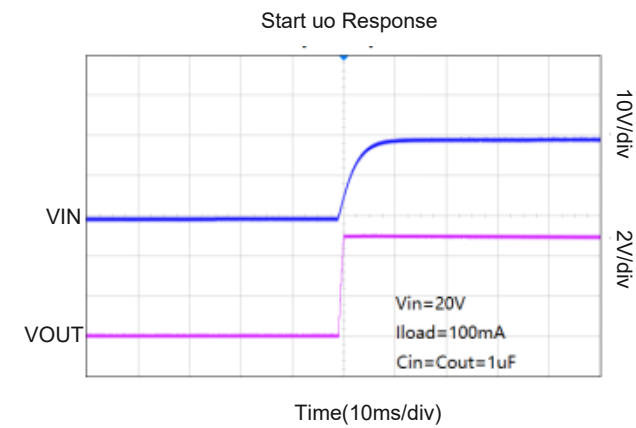
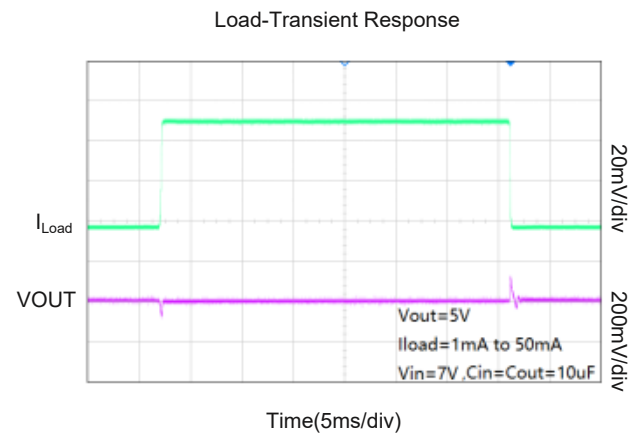
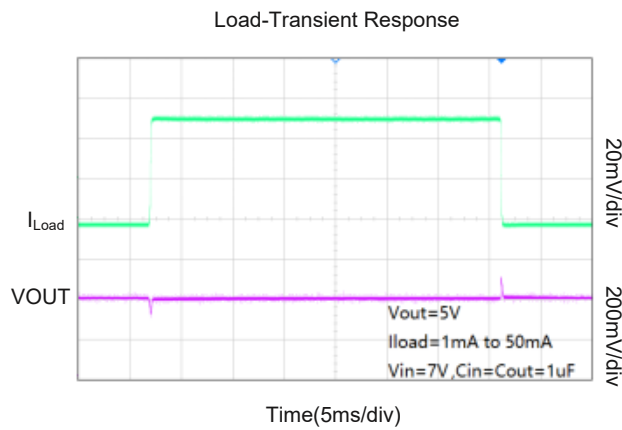
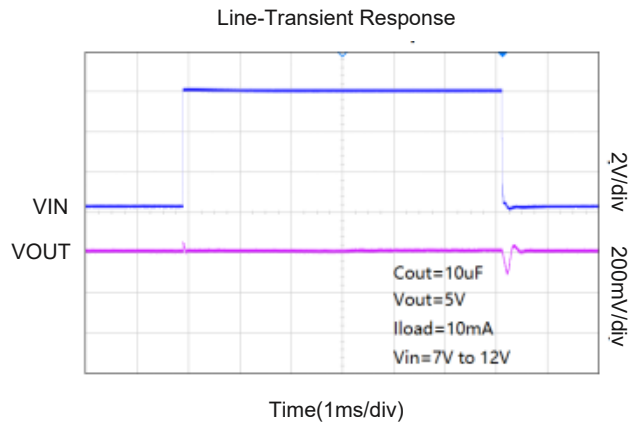
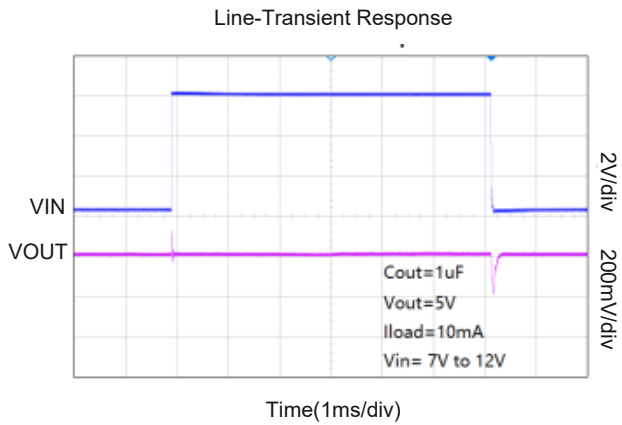
Electrical Characteristics

($V_{IN}=V_{OUT}+2V$, $C_{IN}=10\mu F$, $C_{OUT}=10\mu F$, $T_A=25^\circ C$, unless otherwise noted.)

Parameter	Symbol	Test Conditions	Min.	Typ.	Max.	Unit	
Input Voltage	V_{IN}		3	--	36	V	
Output Voltage Accuracy	ΔV_{OUT}	$I_{OUT}=1mA$	-2	--	+2	%	
Maximum Output Current	$I_{OUT(Max)}$		--	200	--	mA	
Quiescent Current	I_Q	$I_{OUT}=0mA$	--	2.5	4	μA	
Dropout Voltage	V_{DROP}	$V_{OUT}=2.5V$	$I_{OUT}=150mA$	--	900	1350	mV
			$I_{OUT}=100mA$	--	600	1000	mV
		$V_{OUT}=3.0V$	$I_{OUT}=150mA$	--	910	960	mV
			$I_{OUT}=100mA$	--	650	700	mV
		$V_{OUT}=3.3V$	$I_{OUT}=150mA$	--	895	950	mV
			$I_{OUT}=100mA$	--	620	680	mV
		$V_{OUT}=3.6V$	$I_{OUT}=150mA$	--	755	930	mV
			$I_{OUT}=100mA$	--	500	660	mV
$V_{OUT}=5.0V$	$I_{OUT}=150mA$	--	810	990	mV		
	$I_{OUT}=100mA$	--	510	600	mV		
Line Regulation	ΔV_{LINE}	$V_{IN}=V_{OUT}+2V$ to 30V $I_{OUT}=10mA$	--	--	0.2	%/V	
Load Regulation	ΔV_{LOAD}	$V_{IN}=V_{OUT}+2V$, $1mA < I_{OUT} < 150mA$	--	5	20	mV	
Short Current Protection	I_{Short}	OUT Short to GND	--	100	--	mA	
Output Noise	e_N	10Hz to 100KHz $I_{OUT}=30mA$	--	120	--	μV_{RMS}	
Power Supply Rejection Ratio	PSRR	$V_{IN}=12V$, $I_{OUT}=1mA$, $f=1KHz$	--	68	--	dB	

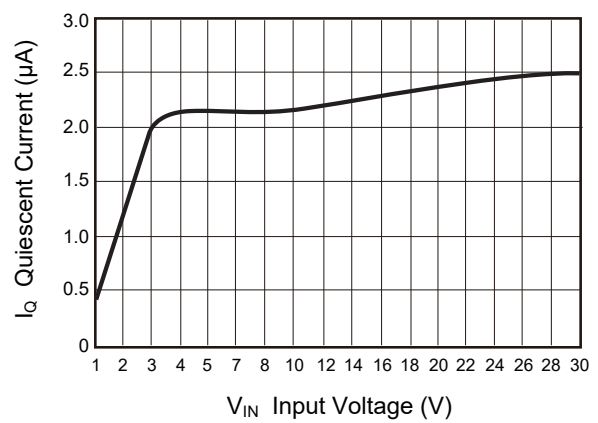
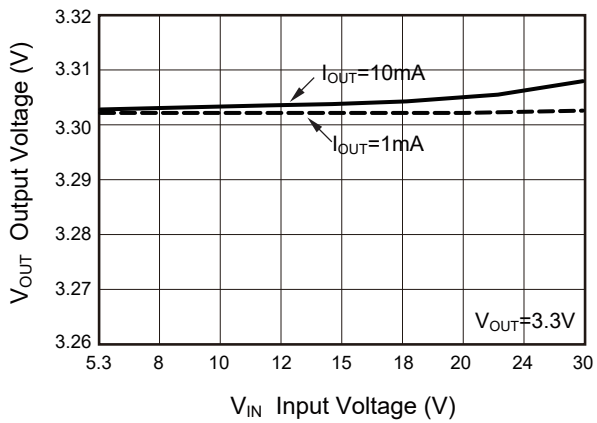
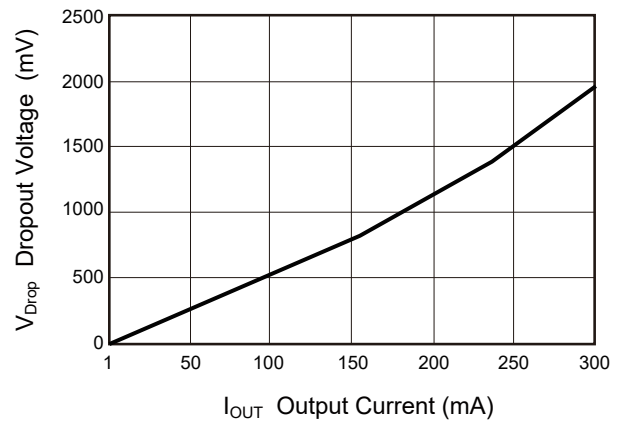
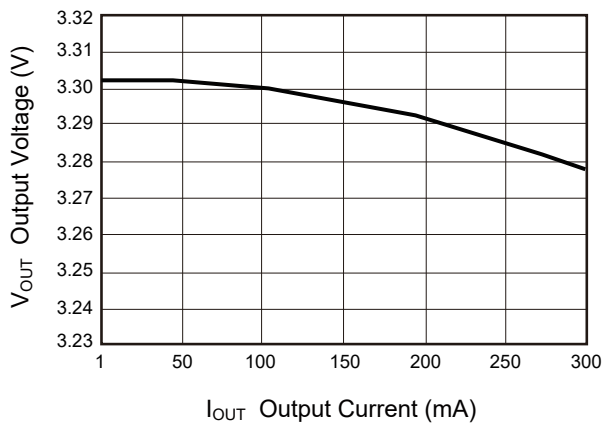
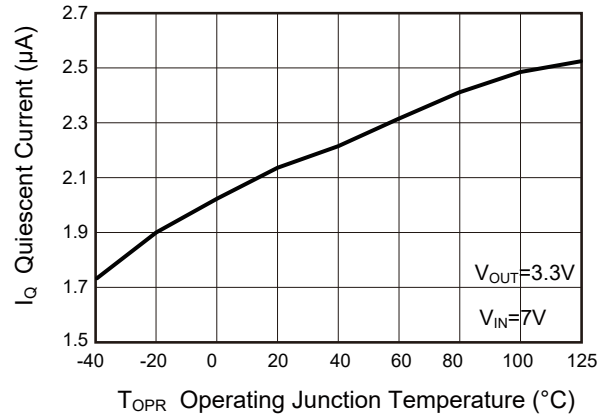
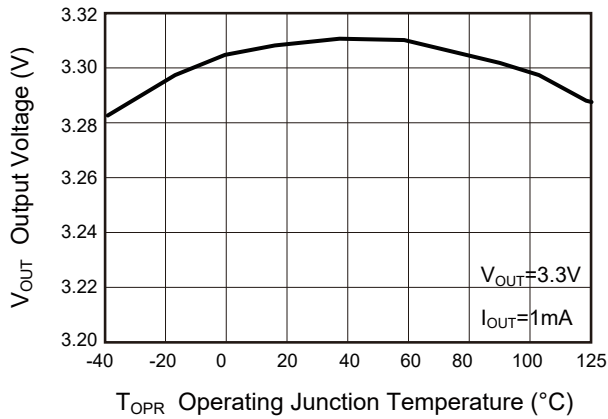


Typical Characteristics Curves





PJ75B Series Low Dropout Regulators





Functional Description

Input Capacitor

A $1\mu\text{F}$ ~ $10\mu\text{F}$ ceramic capacitor is recommended to connect between VIN and GND pins to decouple input power supply glitch and noise. The amount of the capacitance may be increased without limit. This input capacitor must be located as close as possible to the device to assure input stability and less noise. For PCB layout, a wide copper trace is required for both VIN and GND.

Output Capacitor

An output capacitor is required for the stability of the LDO. The recommended output capacitance is from $1\mu\text{F}$ to $10\mu\text{F}$, Equivalent Series Resistance (ESR) is from $5\text{m}\Omega$ to $100\text{m}\Omega$, and temperature characteristics are X7R or X5R. Higher capacitance values help to improve load/line transient response. The output capacitance may be increased to keep low undershoot/overshoot. Place output capacitor as close as possible to OUT and GND pins.

Low Quiescent Current

The PJ75B Series consuming only around $2.5\mu\text{A}$ for all input range and output loading, provides great power saving in portable and low power applications.

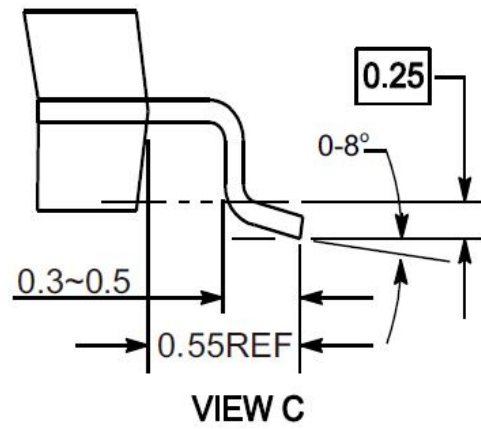
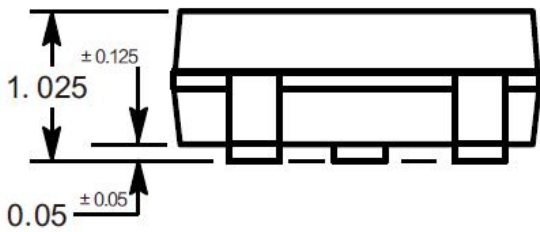
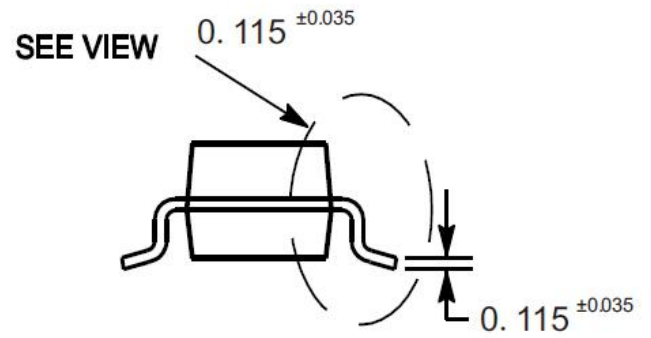
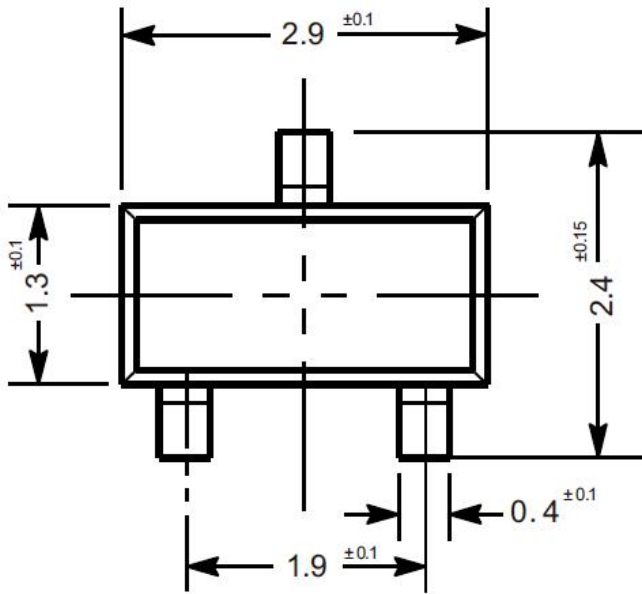
Short Current Limit Protection

When output current at the OUT pin is higher than current limit threshold or the OUT pin is short-circuit to GND, the short current limit protection will be triggered and clamp the output current to approximately 80mA to prevent over-current and to protect the regulator from damage due to overheating.

Package Outline

SOT-23

Dimensions in mm



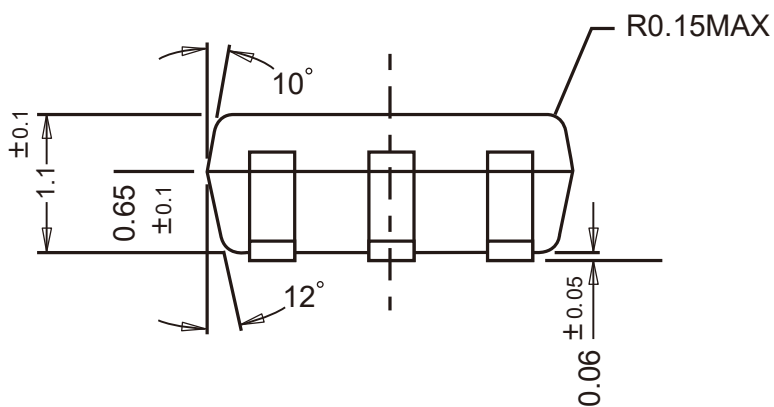
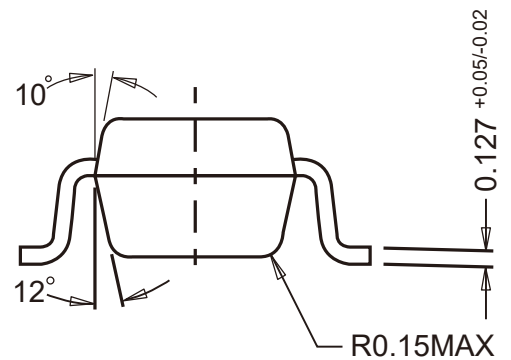
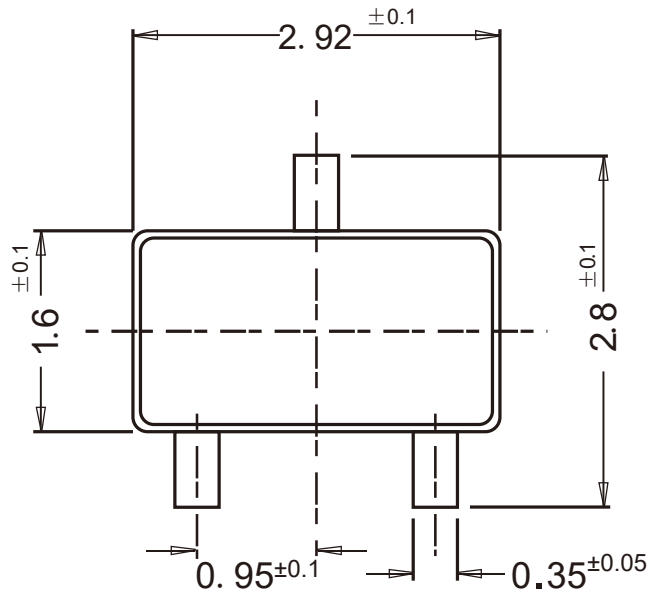


PJ75B Series Low Dropout Regulators

Package Outline

SOT-23-3

Dimensions in mm

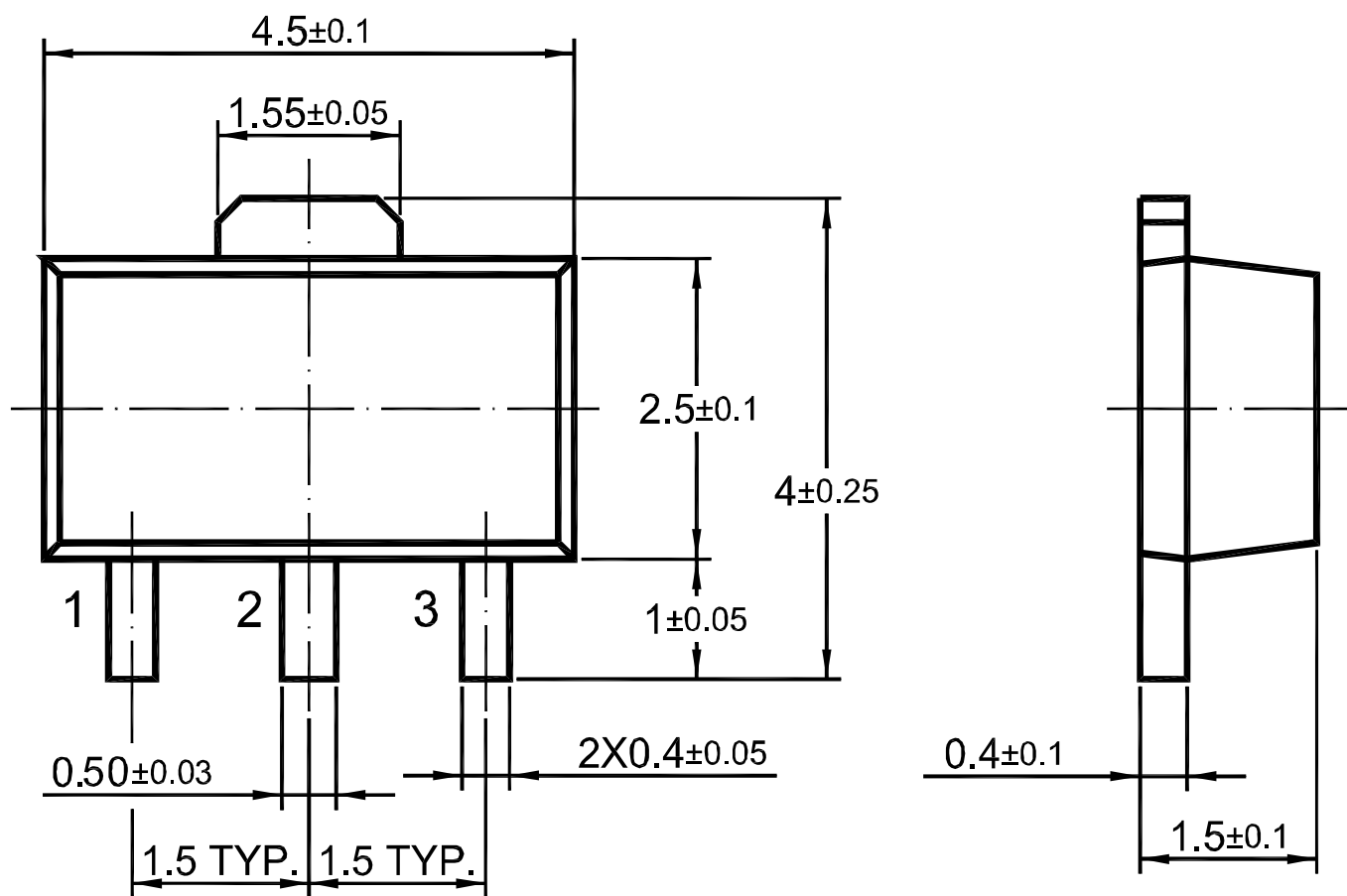




Package Outline

SOT-89

Dimensions in mm



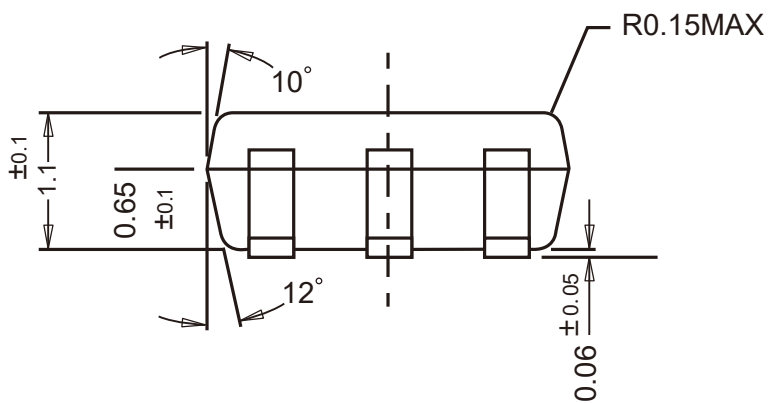
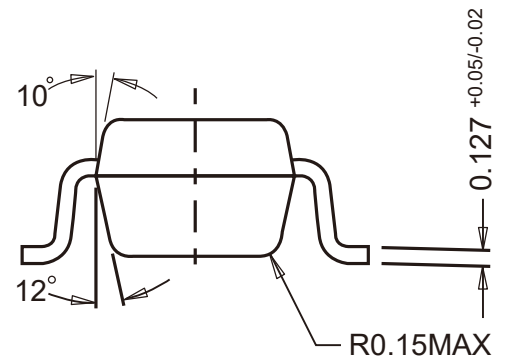
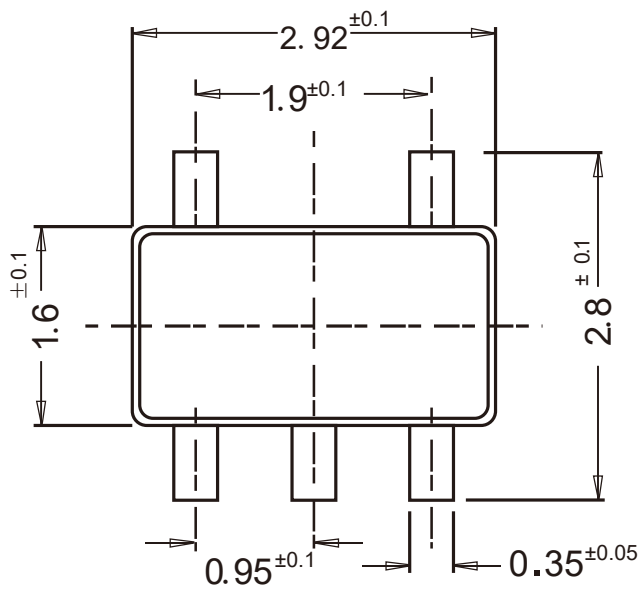


PJ75B Series Low Dropout Regulators

Package Outline

SOT-23-5

Dimensions in mm

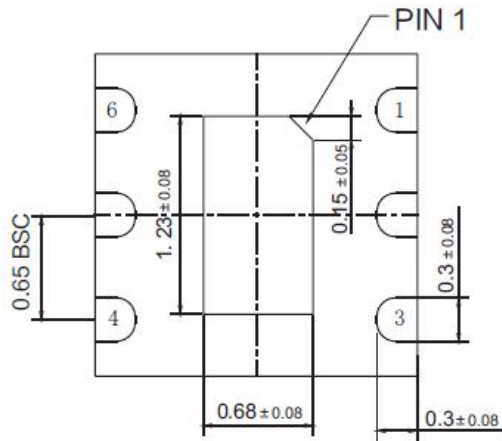




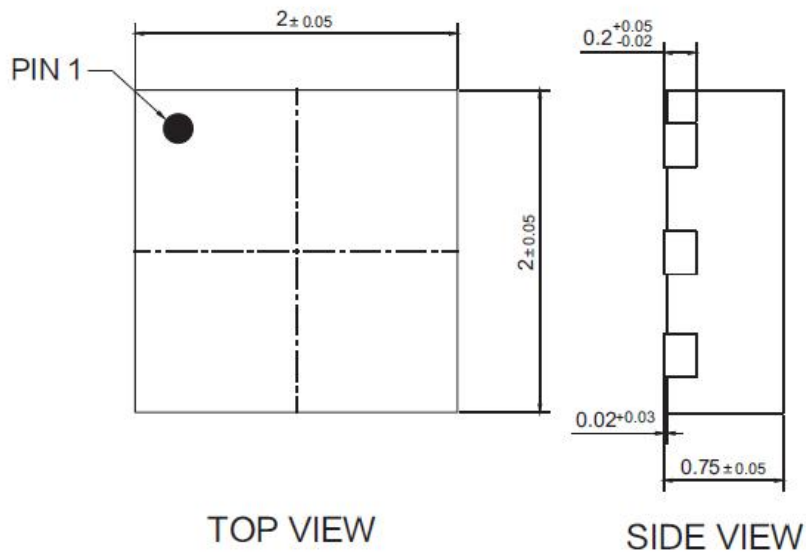
Package Outline

DFN2x2C-6L

Dimensions in mm



BOTTOM VIEW

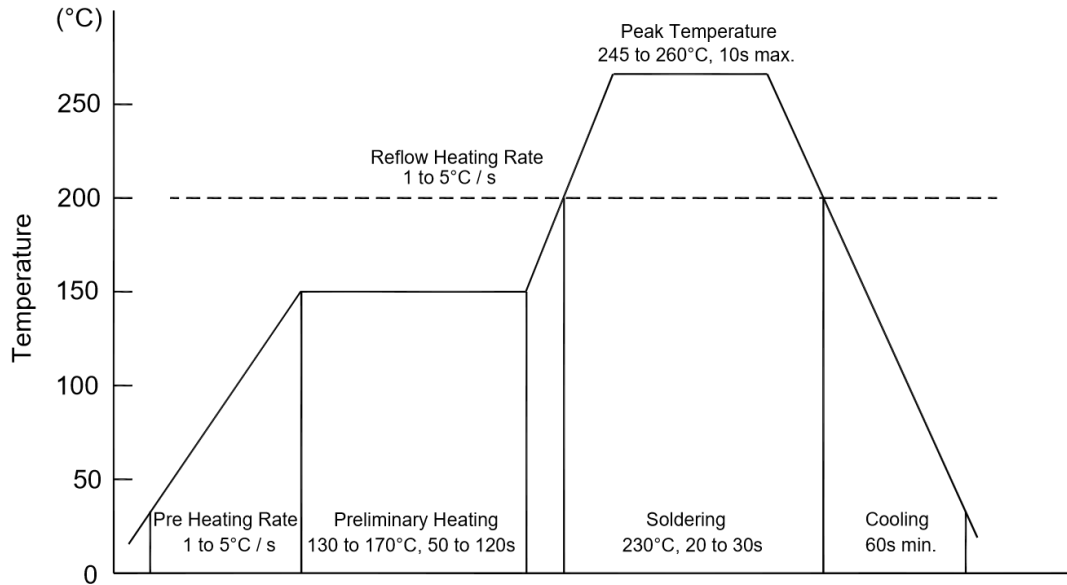


TOP VIEW

SIDE VIEW

Conditions of Soldering and Storage

◆ Recommended condition of reflow soldering



Recommended peak temperature is over 245°C. If peak temperature is below 245°C, you may adjust the following parameters:

- Time length of peak temperature (longer)
- Time length of soldering (longer)
- Thickness of solder paste (thicker)

◆ Conditions of hand soldering

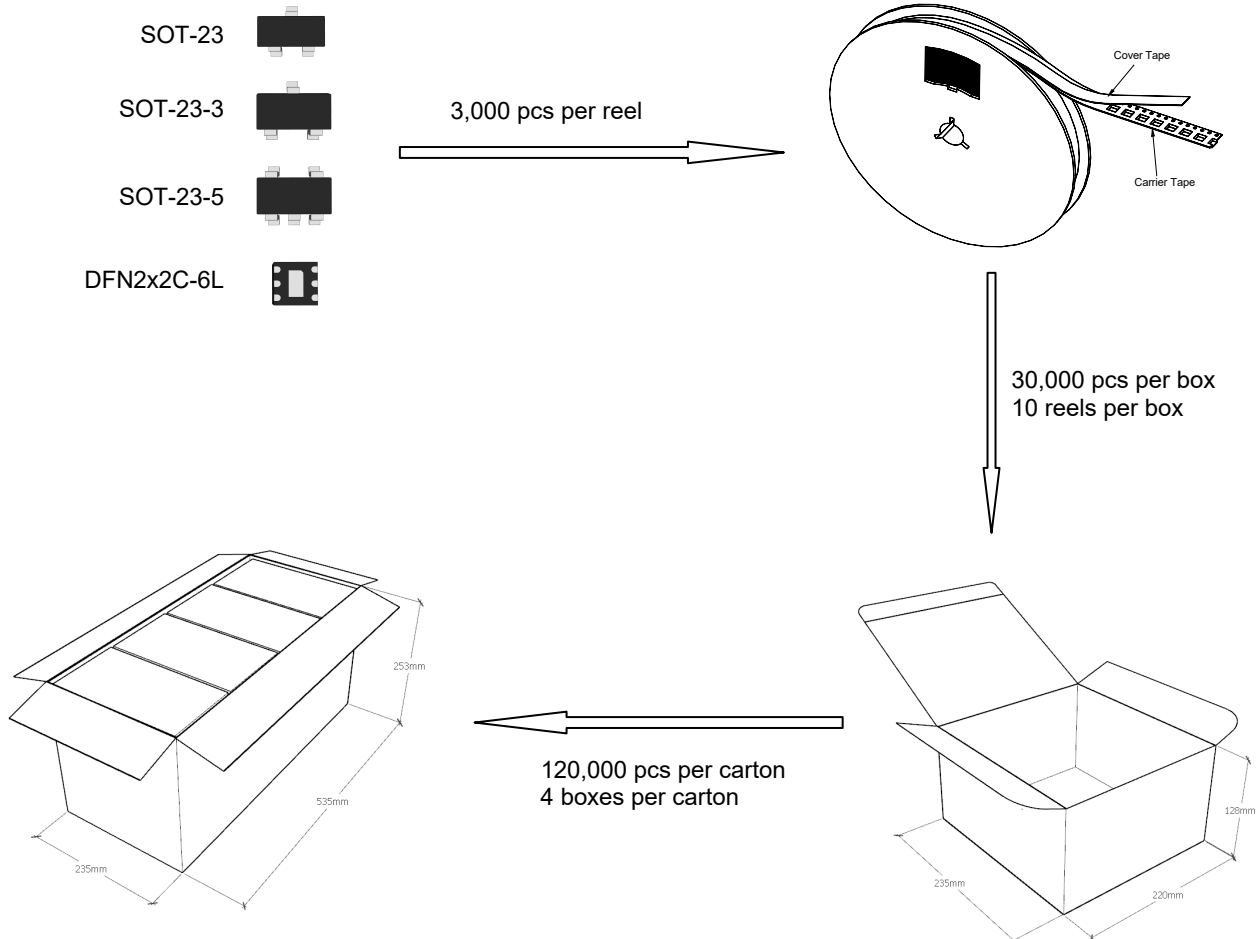
- Temperature: 300°C
- Time: 3s max.
- Times: one time

◆ Storage conditions

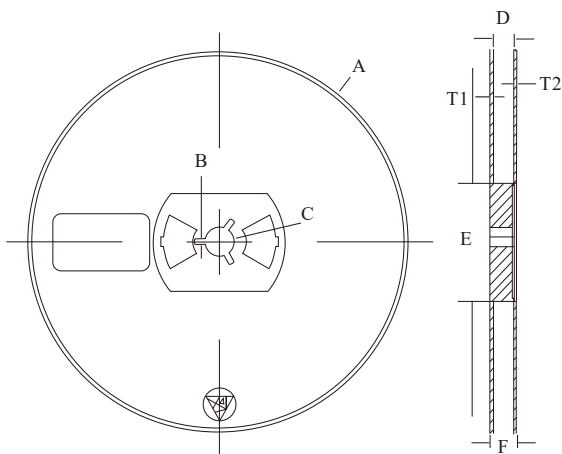
- **Temperature**
5 to 40°C
- **Humidity**
30 to 80% RH
- **Recommended period**
One year after manufacturing

Package Specifications (SOT-23/SOT-23-3/SOT-23-5/DFN2x2C-6L)

- The method of packaging



◆ reel data

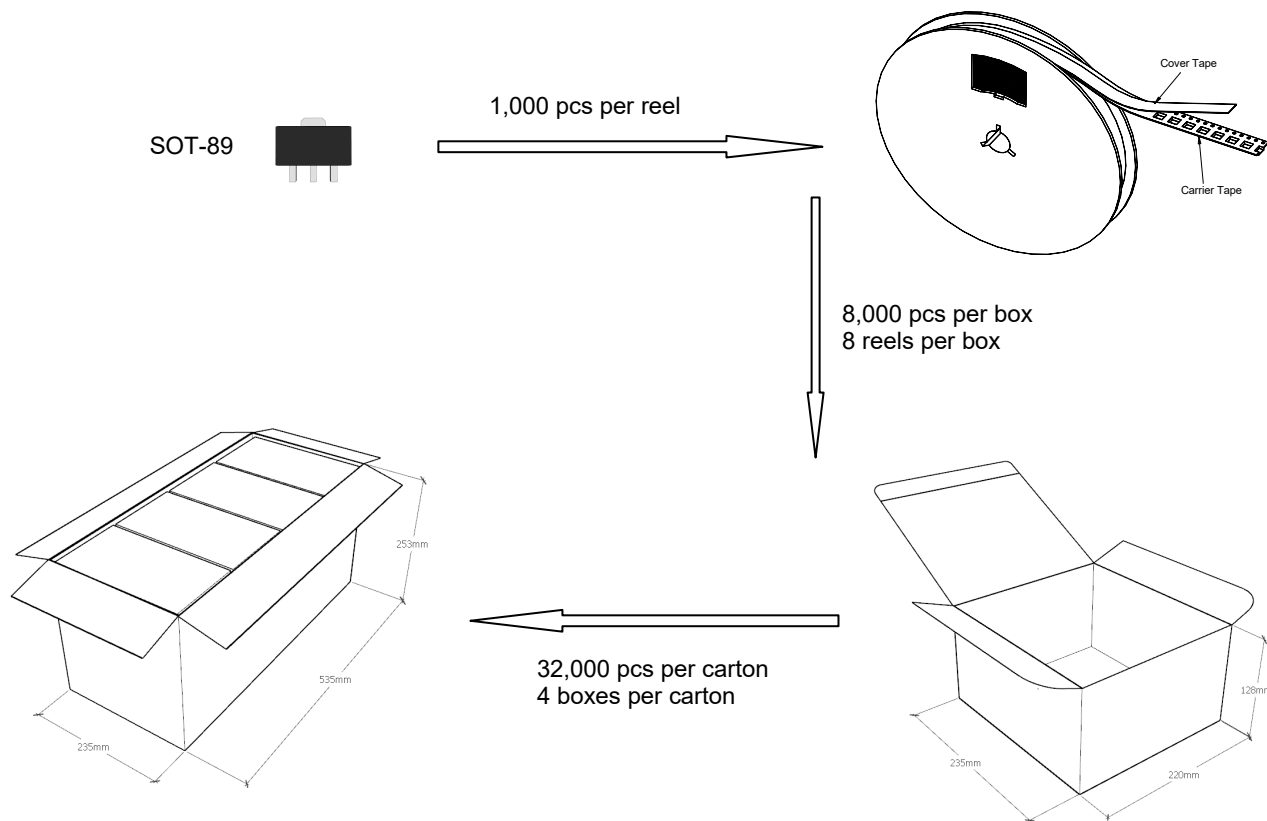


Reel (7")

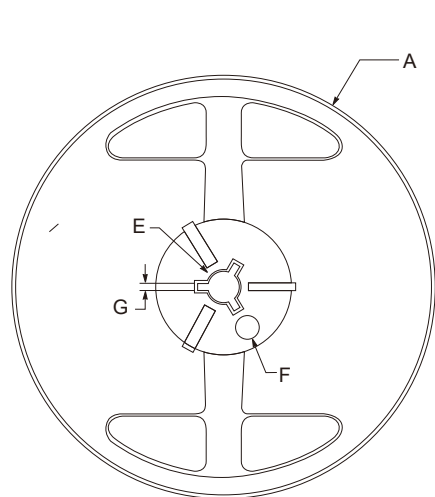
Symbol	Value (unit: mm)
A	Ø 177.8±1
B	2.7±0.2
C	Ø 13.5±0.2
E	Ø 54.5±0.2
F	12.3±0.3
D	9.6+2/-0.3
T1	1.0±0.2
T2	1.2±0.2

Package Specifications (SOT-89)

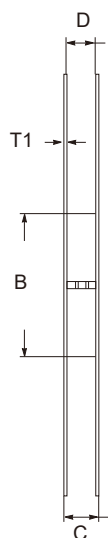
- The method of packaging (1,000PCS/Reel&7inches)



◆ reel data



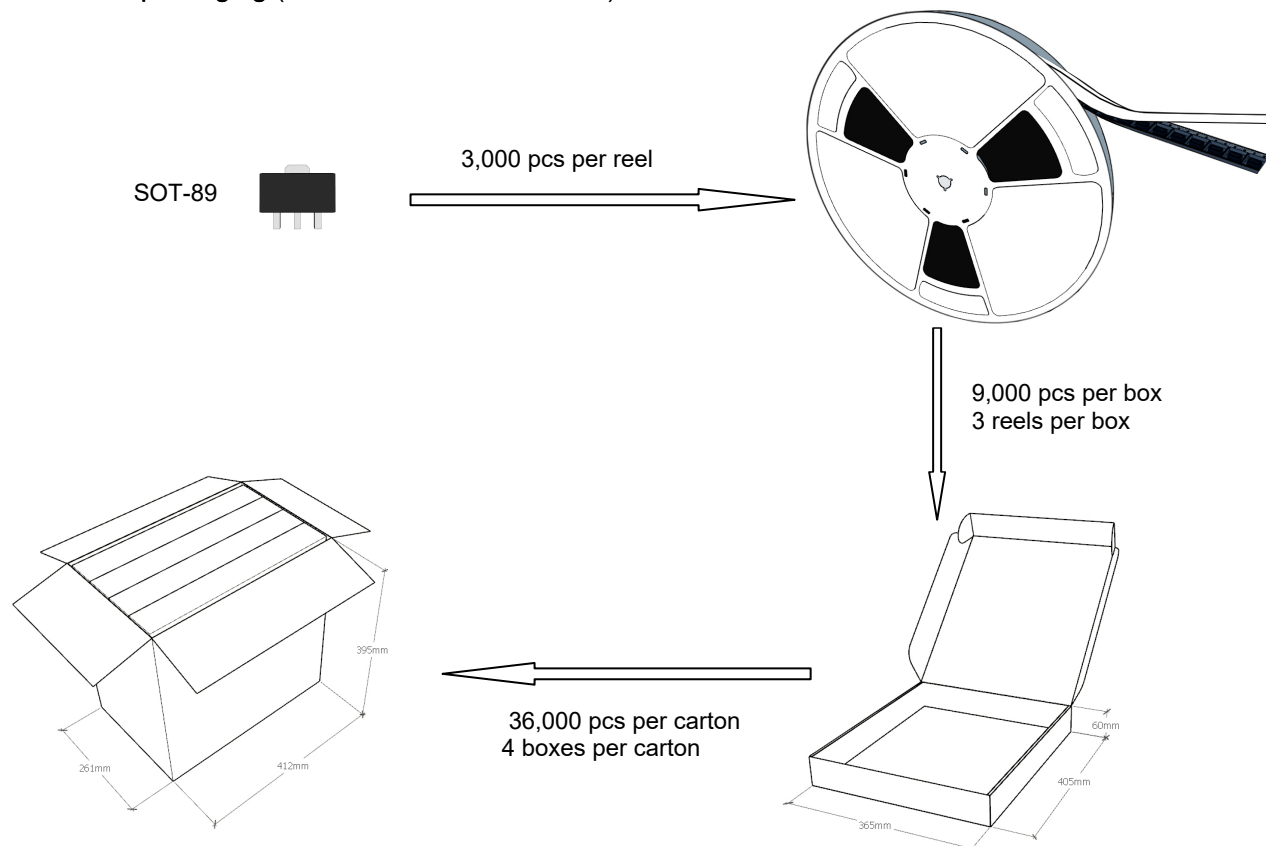
Reel (7")



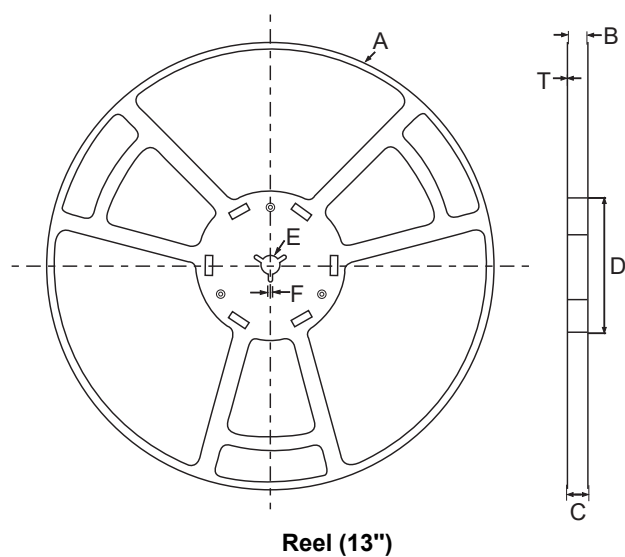
symbol	Value(unit:mm)
A	$\Phi 179 \pm 1$
B	60.5 ± 0.2
C	15.3 ± 0.3
D	$12.5 \sim 13.7$
E	$\Phi 13.5 \pm 0.2$
F	$\Phi 10.0 \pm 0.2$
G	2.7 ± 0.2
T1	1.0 ± 0.2

Package Specifications (SOT-89)

- The method of packaging (3,000PCS/Reel&13inches)



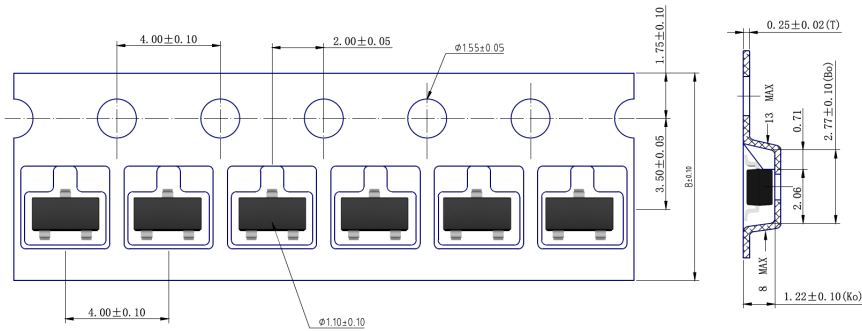
◆ reel data



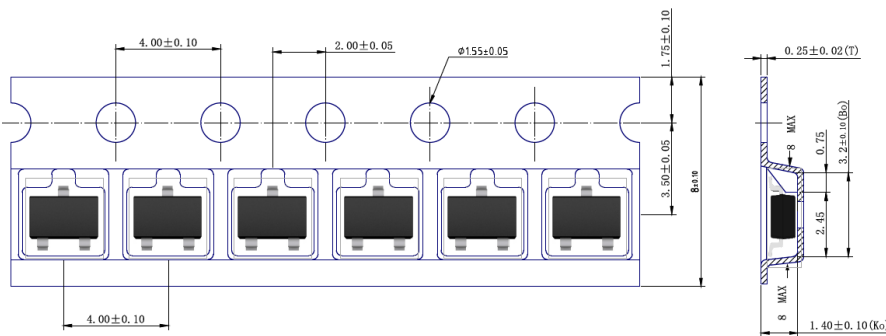
symbol	Value(unit:mm)
A	$\phi 330\pm 1$
B	12.7 ± 0.5
C	16.5 ± 0.3
D	$\phi 99.5\pm 0.5$
E	$\phi 13.6\pm 0.3$
F	2.8 ± 0.3
T	1.9 ± 0.2

◆ Embossed tape data

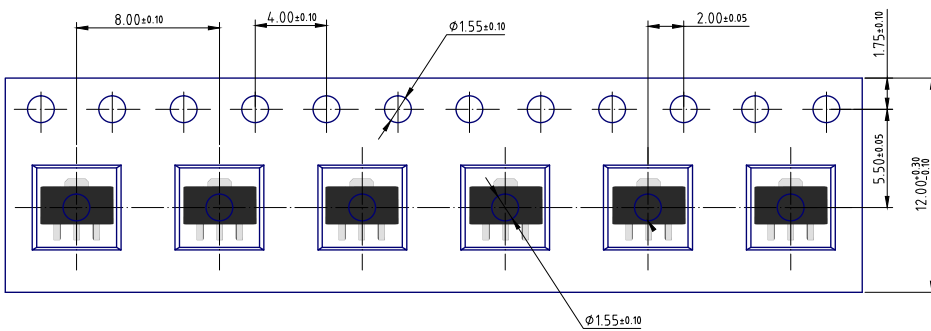
SOT-23



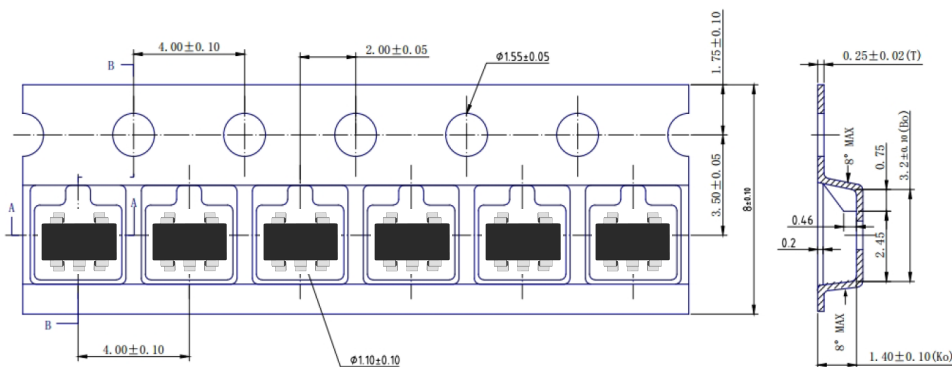
SOT-23-3



SOT-89

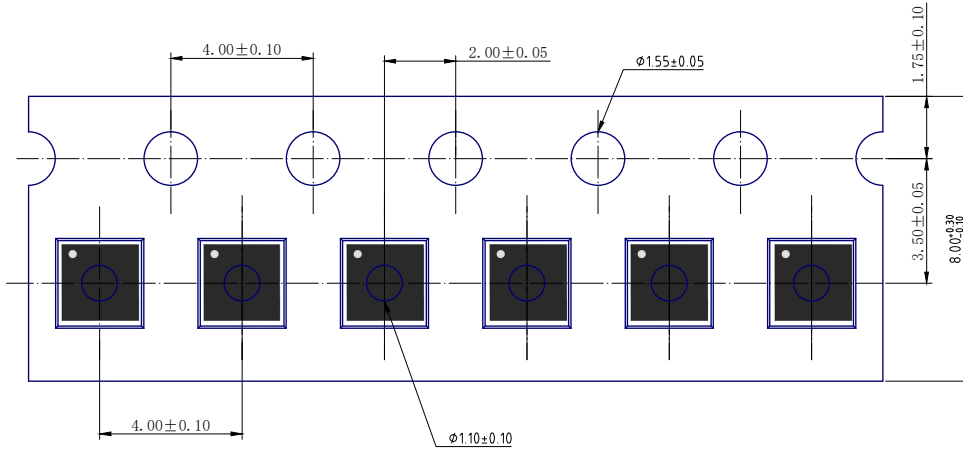


SOT-23-5



◆ Embossed tape data

DFN2x2C-6L



单击下面可查看定价，库存，交付和生命周期等信息

[>>PJSEMI\(平晶微\)](#)