

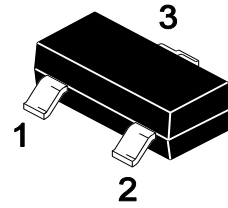


# MMBTSC945 NPN Transistor

## Features

- Excellent hFE Linearity
- Low noise

SOT-23  
(TO-236)



1.Base 2.Emitter 3.Collector

Marking: CR

## Absolute Maximum Ratings

Ratings at 25°C ambient temperature unless otherwise specified.

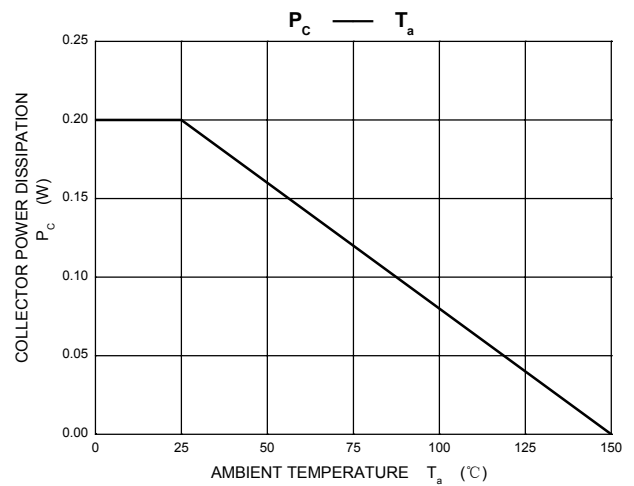
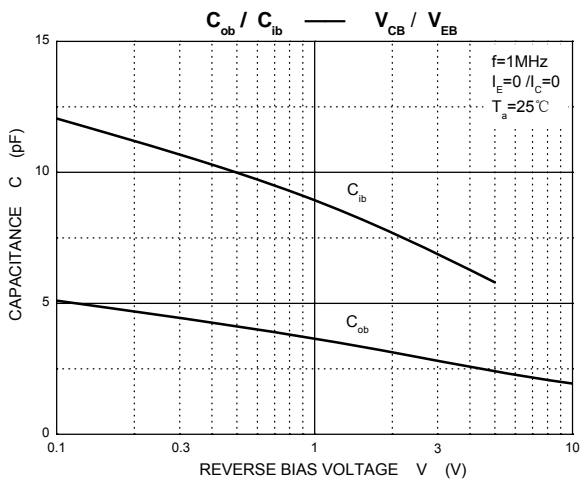
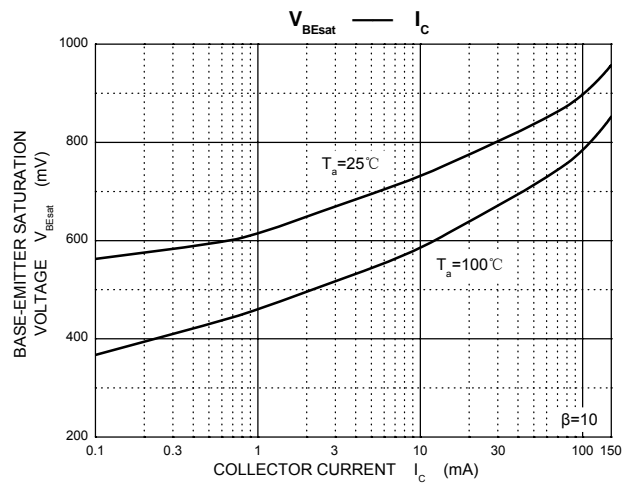
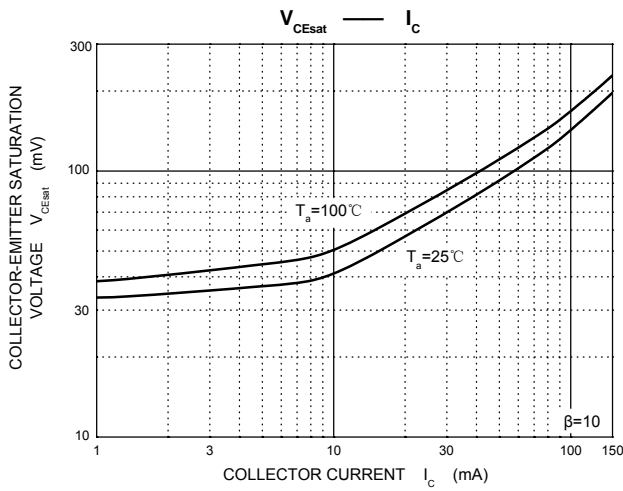
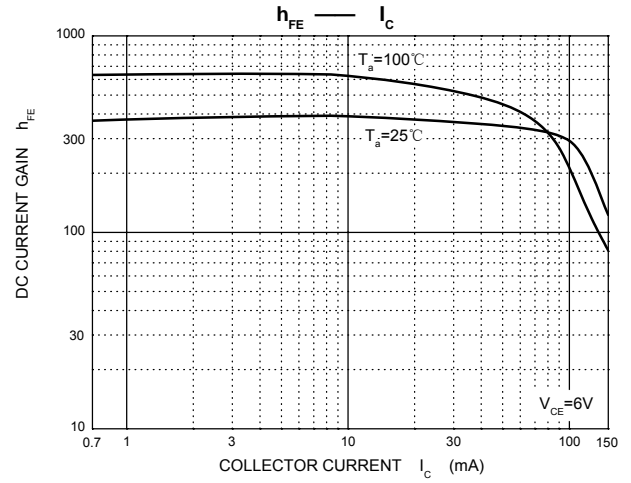
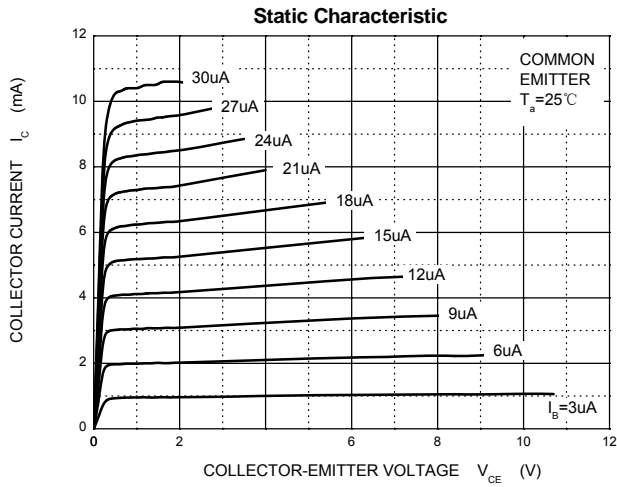
Parameter	Symbol	Value	Unit
Collector Base Voltage	$V_{CB0}$	60	V
Collector Emitter Voltage	$V_{CEO}$	50	V
Emitter Base Voltage	$V_{EBO}$	5	V
Collector Current	$I_C$	150	mA
Power Dissipation	$P_D$	200	mW
Junction Temperature	$T_J$	150	°C
Storage Temperature Range	$T_{STG}$	-55 to 150	°C

## Electrical Characteristics ( $T_A=25^\circ\text{C}$ )

Parameter	Symbol	Min.	Max.	Unit
DC Current Gain at $V_{CE} = 6\text{ V}$ , $I_C = 1\text{ mA}$	$H_{FE}$	130	200	-
Current Gain Group L H		200	400	-
Collector Base Cutoff Current at $V_{CB} = 60\text{ V}$	$I_{CBO}$	-	100	nA
Emitter Base Cutoff Current at $V_{EB} = 5\text{ V}$	$I_{EBO}$	-	100	nA
Collector Base Breakdown Voltage at $I_C = 100\text{ }\mu\text{A}$	$V_{(BR)CBO}$	60	-	V
Collector Emitter Breakdown Voltage at $I_C = 1\text{ mA}$	$V_{(BR)CEO}$	50	-	V
Emitter Base Breakdown Voltage at $I_E = 100\text{ }\mu\text{A}$	$V_{(BR)EBO}$	5	-	V
Collector Emitter Saturation Voltage at $I_C = 100\text{ mA}$ , $I_B = 10\text{ mA}$	$V_{CE(sat)}$	-	0.3	V
Base Emitter Saturation Voltage at $I_C = 100\text{ mA}$ , $I_B = 10\text{ mA}$	$V_{BE(sat)}$	-	1	V
Transition Frequency at $V_{CE} = 6\text{ V}$ , $I_C = 10\text{ mA}$ , $f = 30\text{ MHz}$	$f_T$	150	-	MHz
Collector Output Capacitance at $V_{CB} = 10\text{ V}$ , $f = 1\text{ MHz}$	$C_{ob}$	-	3	pF



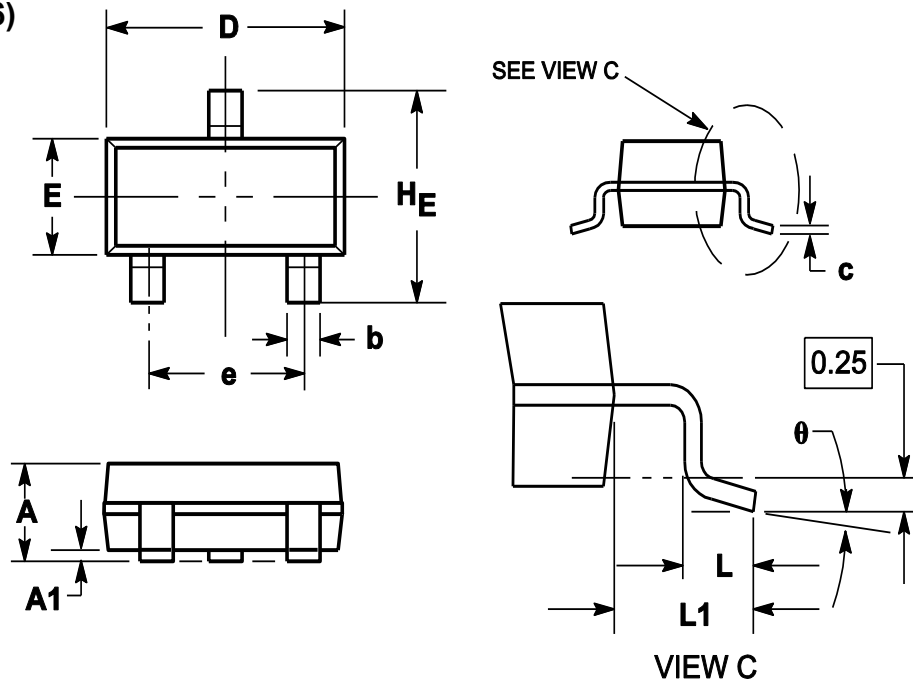
### Electrical Characteristics Curves



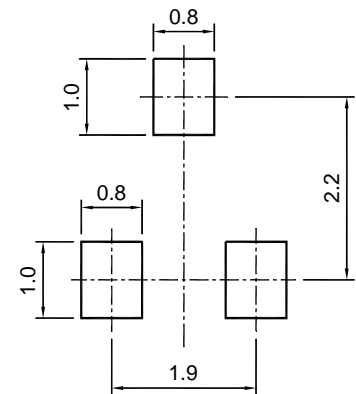


### Package Outline

#### SOT-23 (TO-236)



Symbol	Dimensions in millimeter		
	Min.	Typ.	Max.
A	0.900	1.025	1.150
A1	0.000	0.050	0.100
b	0.300	0.400	0.500
c	0.080	0.115	0.150
D	2.800	2.900	3.000
E	1.200	1.300	1.400
HE	2.250	2.400	2.550
e	1.800	1.900	2.000
L1	0.550REF		
L	0.300		0.500
θ	0°		8°



SOT-23 (TO-236)

**Recommended soldering pad**

### Ordering Information

Device	Package	Shipping
MMBTSC945	SOT-23	3000/Reel&Tape(7inch)

单击下面可查看定价，库存，交付和生命周期等信息

[>>PJSEMI\(平晶微\)](#)