

Description

The TL432 is a Three-terminal adjustable shunt regulator highly accurate 1.24V bandgap reference. The device offers thermal stability, wide operating current and an extended temperature range of 0 to 105 °C for operation in power supply applications. The TL432 offers a wide operating voltage range of up to 18V and is an excellent choice for voltage reference requirements in an isolated feedback circuit for 3.0V to 3.3V switching mode power supplies.

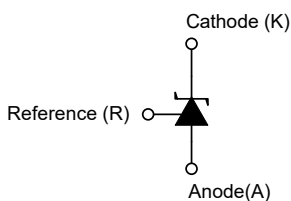
Feature

- Wide programmable output voltage from 1.24V to 18V
- Sink current capability from 55µA to 100mA.
- Low output noise
- Wide Operating Range of -40 to 125°C

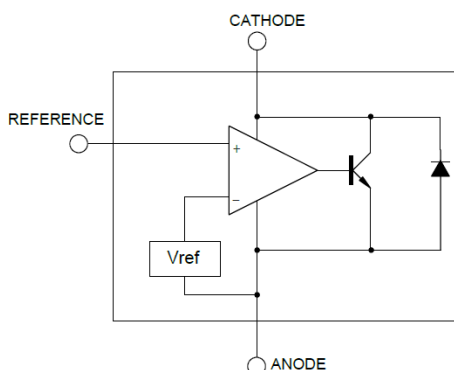
Application

- Adjustable voltage and current references
- Voltage monitoring
- Replacement of zener diode
- Comparator with integrated reference

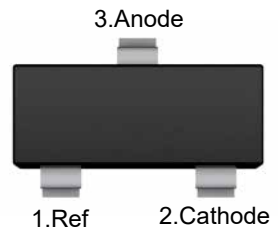
Schematic diagram



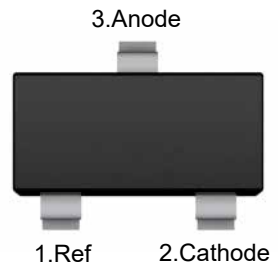
Functional block diagram



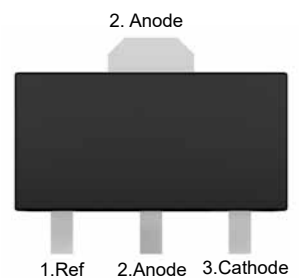
SOT-23



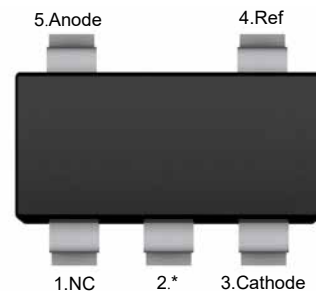
SOT-23-3



SOT-89

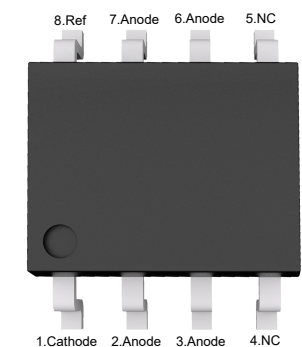


SOT-23-5



NC: No internal connection
*: Attached to substrate and must be connected to Anode or left open

SOP-8



NC: No internal connection



Ordering Information

TL432-□ □

└ Package Type

□□(Blank): SOT-23

SC: SOT-23-3

SQ: SOT-89

SE: SOT-23-5

PA: SOP-8

└ V_{REF} tolerance

□(Blank): 1%

C: 0.5%

Orderable Device	Voltage Tolerance	Package	Reel (inch)	Package Qty (PCS)	Eco Plan ^{Note}	MSL Level	Marking Code
TL432	1%	SOT-23	7	3000	RoHS & Green	MSL1	432
TL432C	0.5%	SOT-23	7	3000	RoHS & Green	MSL1	432C
TL432SC	1%	SOT-23-3	7	3000	RoHS & Green	MSL3	T432
TL432CSC	0.5%	SOT-23-3	7	3000	RoHS & Green	MSL3	T432C
TL432SQ	1%	SOT-89	7 / 13	1000 / 3000	RoHS & Green	MSL1	TL432
TL432CSQ	0.5%	SOT-89	7 / 13	1000 / 3000	RoHS & Green	MSL1	TL432C
TL432SE	1%	SOT-23-5	7	3000	RoHS & Green	MSL3	432E
TL432CSE	0.5%	SOT-23-5	7	3000	RoHS & Green	MSL3	432CE
TL432PA	1%	SOP-8	13	4000	RoHS & Green	MSL3	432P
TL432CPA	0.5%	SOP-8	13	4000	RoHS & Green	MSL3	432CP

Note:

RoHS: PJ defines "RoHS" to mean semiconductor products that are compliant with the current EU RoHS requirements for all 10 RoHS substances, including the requirement that RoHS substance do not exceed 0.1% by weight in homogeneous materials.

Green: PJ defines "Green" to mean Halogen-Free and Antimony-Free.

**Absolute Maximum Ratings** ($T_a=25^{\circ}\text{C}$ unless otherwise specified)

Parameter	Symbol	Value	Units
Cathode Voltage	V_{KA}	20	V
Cathode Current Range(Continuous)	I_{KA}	-100 ~ +100	mA
Reference Input Current Range	I_{REF}	10	mA
Operating Junction Temperature	T_J	150	$^{\circ}\text{C}$
Storage Temperature Range	T_{STG}	-65 ~ +150	$^{\circ}\text{C}$

Note: Absolute maximum ratings are those values beyond which the device could be permanently damaged.
Absolute maximum ratings are stress ratings only and functional device operation is not implied.

Recommended Operating Conditions

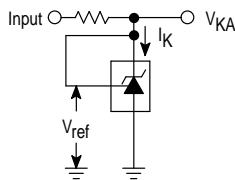
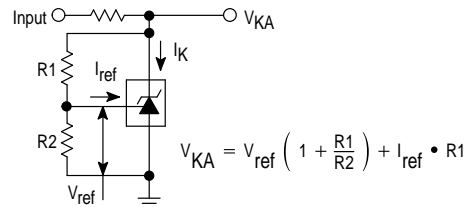
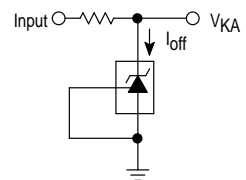
Parameter	Symbol	Min.	Max.	Units
Cathode Voltage	V_{KA}	V_{REF}	18	V
Cathode Current	I_{KA}	0.1	100	mA
Operating Ambient Temperature Range	T_{OPR}	-40	125	$^{\circ}\text{C}$

Thermal Information

Parameter	Symbol	Value		Units
Junction-to-Ambient thermal resistance	$R_{\theta JA}$	SOT-23	416	$^{\circ}\text{C/W}$
		SOT-23-3	416	$^{\circ}\text{C/W}$
		SOT-23-5	416	$^{\circ}\text{C/W}$
		SOT-89	156	$^{\circ}\text{C/W}$
		SOP-8	208	$^{\circ}\text{C/W}$

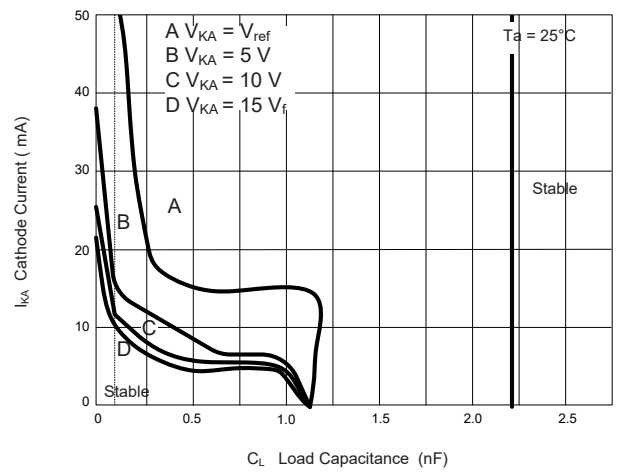
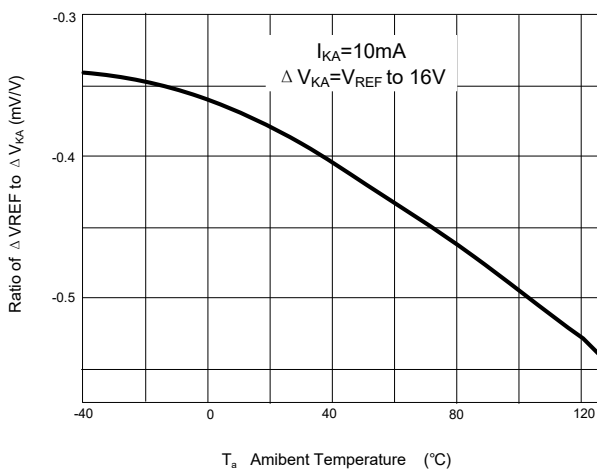
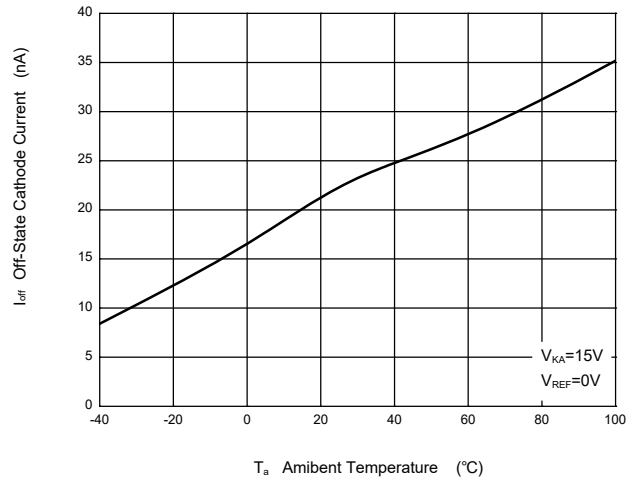
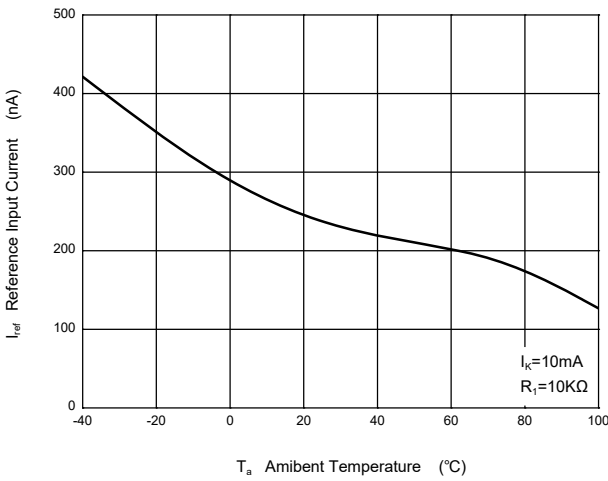
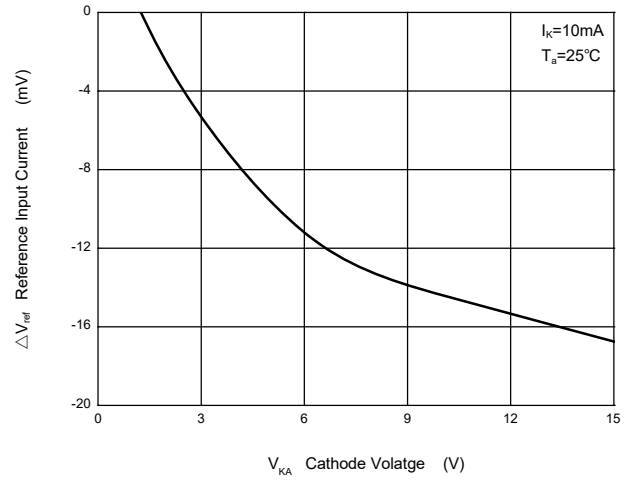
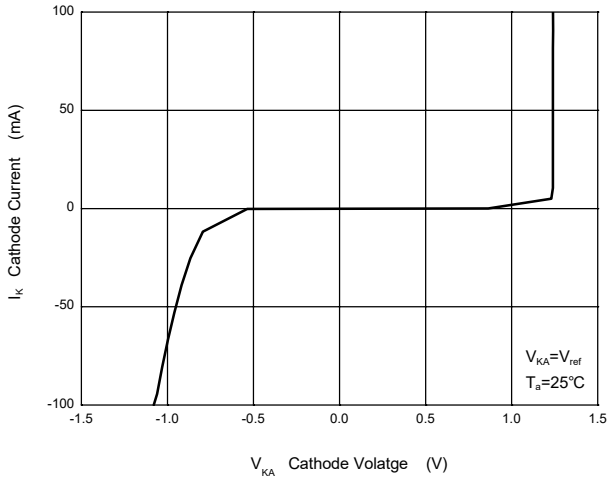
Electrical Characteristics ($T_a=25^\circ\text{C}$ unless otherwise specified)

Parameter	Symbol	Test Conditions	Min.	Typ.	Max.	Unit	
Reference Input Voltage ^{Fig1}	V_{REF}	$V_{KA}=V_{REF}$, $I_{KA}=10\text{mA}$	TL432(1%)	1.228	1.24	1.252	V
			TL432C(0.5%)	1.234	1.24	1.246	V
Deviation of Reference Input Voltage Over Temperature ^{Fig1}	ΔV_{REF}	$V_{KA}=V_{REF}$, $I_{KA}=10\text{mA}$	$0^\circ\text{C} \leq T_A \leq 70^\circ\text{C}$	--	2	10	mV
			$-20^\circ\text{C} \leq T_A \leq 125^\circ\text{C}$	--	3	15	mV
			$-40^\circ\text{C} \leq T_A \leq 125^\circ\text{C}$	--	8	25	mV
Ratio of Change in Reference Input Voltage to The Change in Cathode Voltage ^{Fig2}	$\frac{\Delta V_{REF}}{\Delta V_{KA}}$	$I_{KA}=10\text{mA}$, $\Delta V_{KA}=V_{REF} \sim 16\text{V}$	--	-0.5	-1.5	mV/V	
Reference Input Current ^{Fig2}	I_{REF}	$I_{KA}=10\text{mA}$, $R1=10\text{K}\Omega$, $R2=\infty$	--	0.15	0.4	μA	
Deviation of Reference Input Current Over Full Temperature Range ^{Fig2}	ΔI_{REF}	$I_{KA}=10\text{mA}$, $R1=10\text{K}\Omega$, $R2=\infty$, $-20^\circ\text{C} \leq T_A \leq +85^\circ\text{C}$	--	--	0.4	μA	
Minimum Cathode Current for Regulation ^{Fig1}	$I_{KA(MIN)}$	$V_{KA}=V_{REF}$	--	--	80	μA	
Off-State Cathode Current ^{Fig3}	$I_{KA(OFF)}$	$V_{KA}=18\text{V}$, $V_{REF}=0$	--	0.04	0.5	μA	
Dynamic Impedance	Z_{KA}	$V_{KA}=V_{REF}$, $I_{KA}=1 \sim 100\text{mA}$, $f \leq 1.0\text{KHz}$	--	0.05	0.15	Ω	

Figure 1. Test Circuit for $V_{KA} = V_{REF}$

Figure 2. Test Circuit for $V_{KA} > V_{REF}$

Figure 3. Test Circuit for I_{OFF}




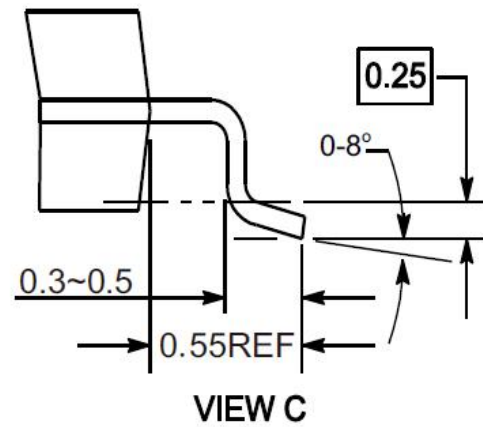
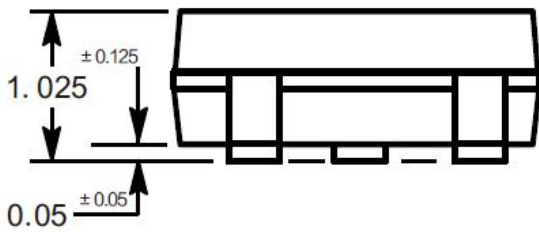
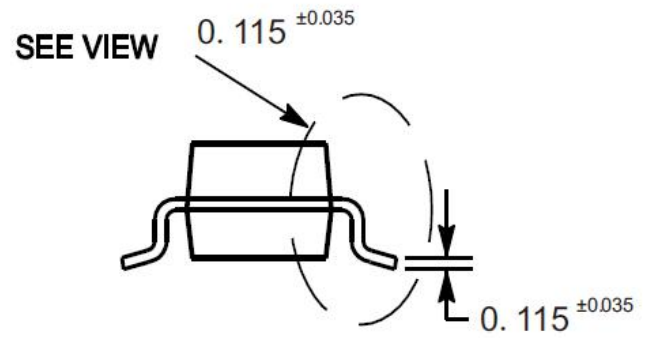
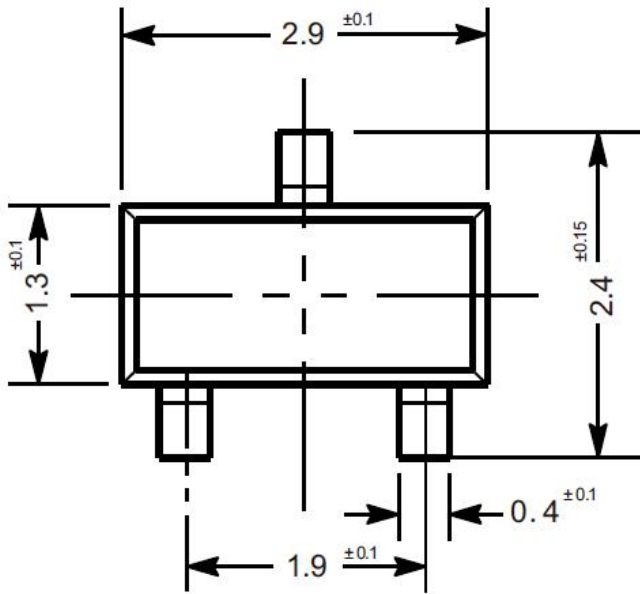
Typical Characteristic Curves



Package Outline

SOT-23

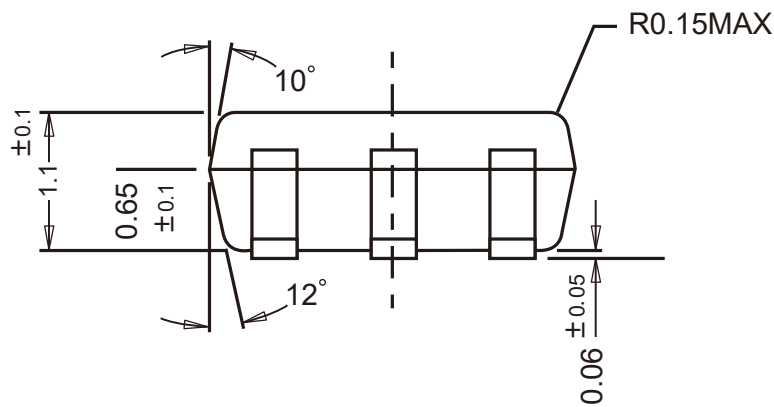
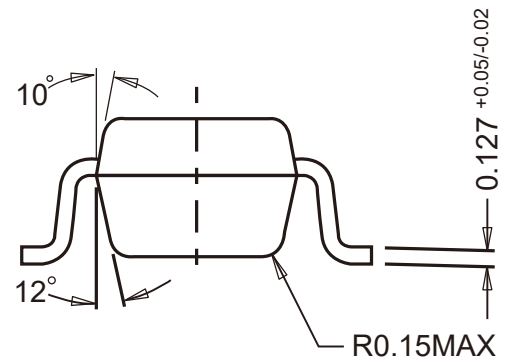
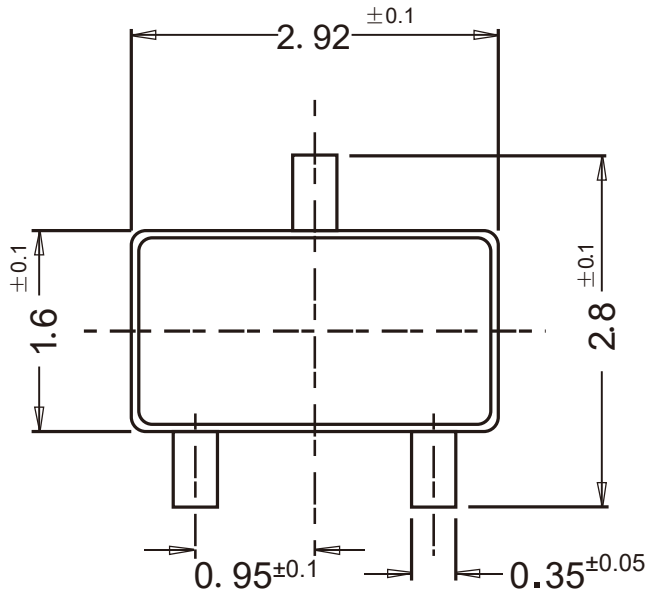
Dimensions in mm



Package Outline

SOT-23-3

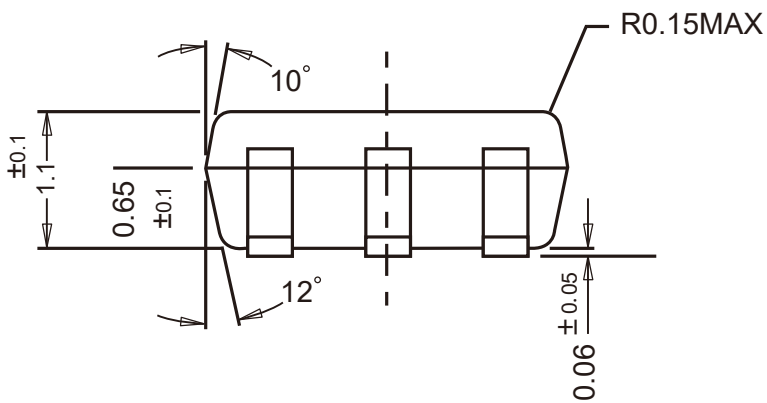
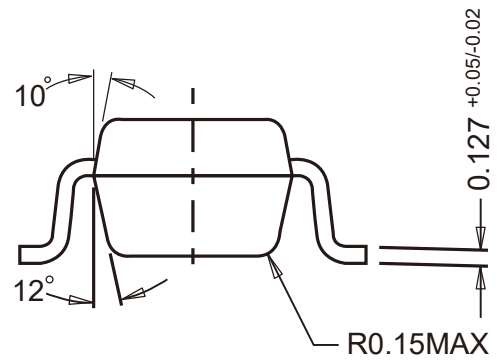
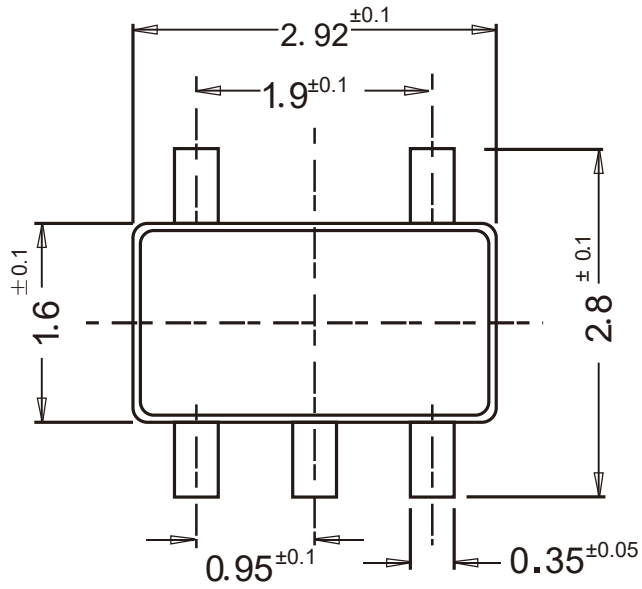
Dimensions in mm



Package Outline

SOT-23-5

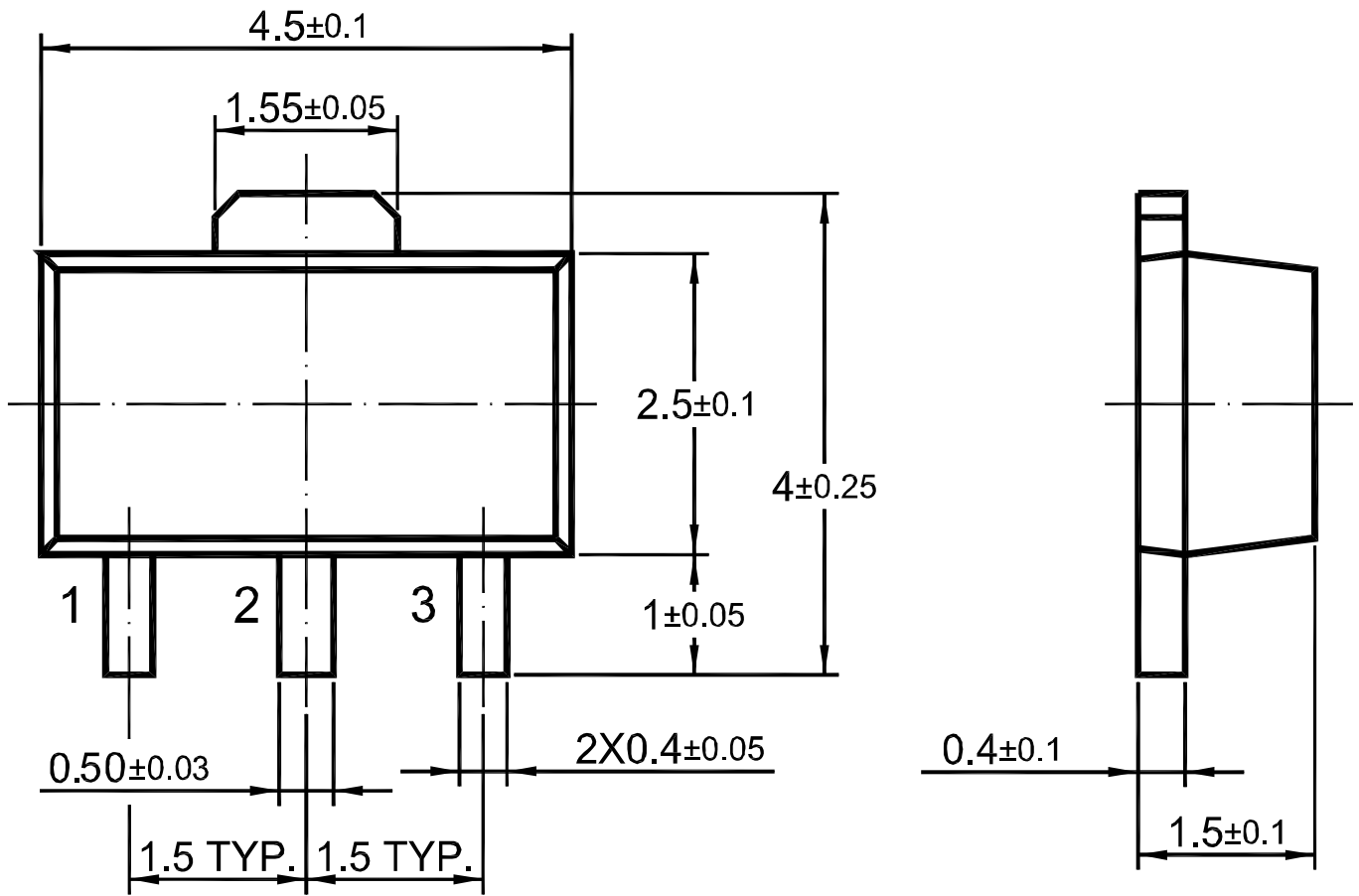
Dimensions in mm



Package Outline

SOT-89

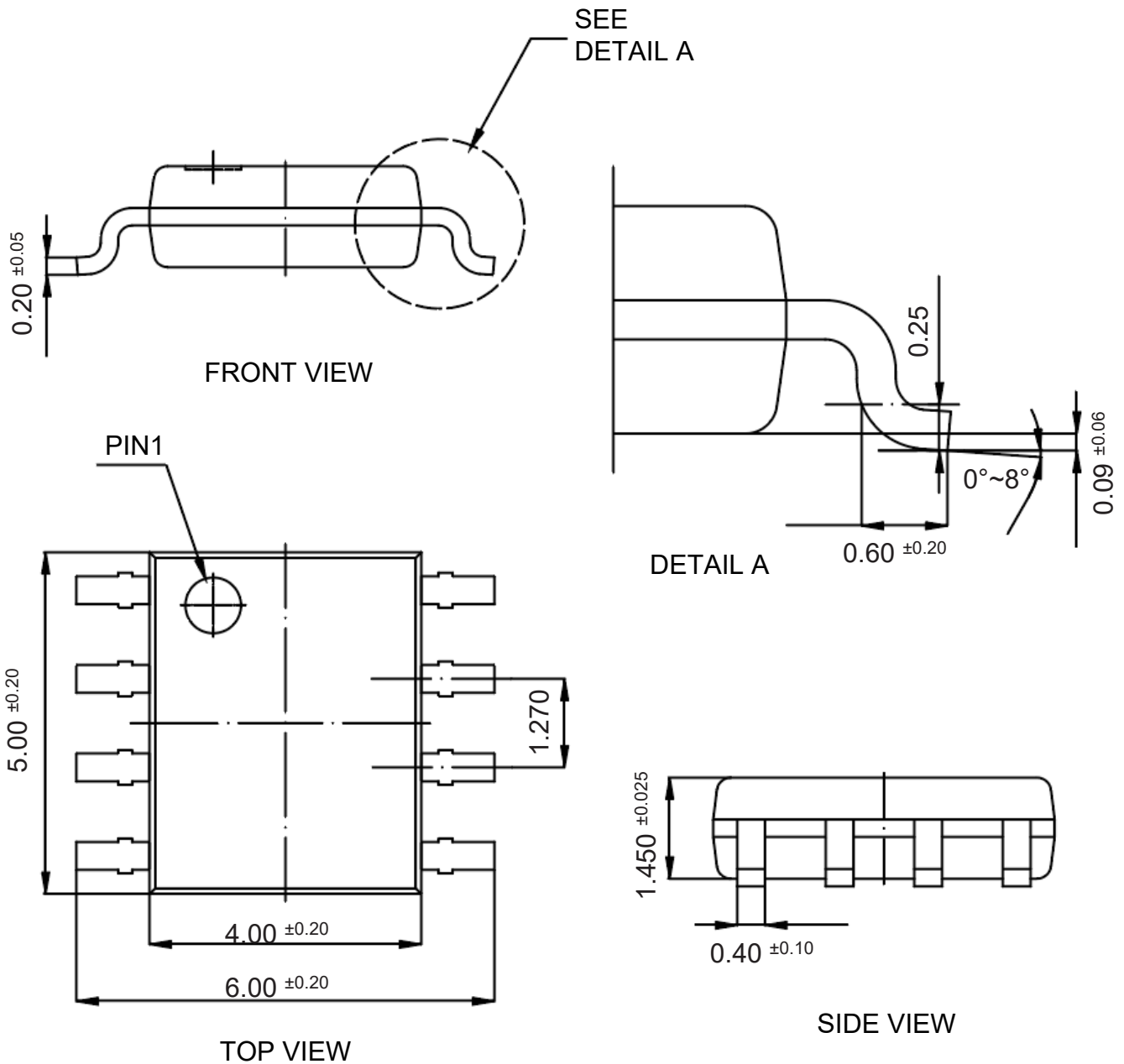
Dimensions in mm



Package Outline

SOP-8

Dimensions in mm



单击下面可查看定价，库存，交付和生命周期等信息

[>>PJSEMI\(平晶微\)](#)