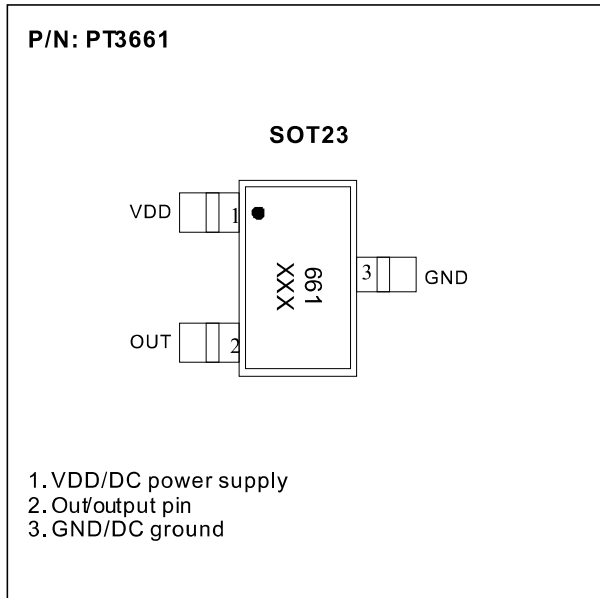


PT3661

High Sensitivity Micro Power Switch



Package: SOT-23



The PT3661 is designed for battery-operated, hand-held equipment such as cellular and cordless phone, PDA and notebook application. The built-in dynamic offset cancellation of pre-amplifier stage achieves optimal symmetrical magnetic sensing. The supply voltage range is from 2.4V to 5V and the max output current is 5mA.

Specifications

Absolute Maximum Ratings (Ta=25°C)

Parameter	Symbol	Conditions	Rating	Units
Maximum supply voltage	V_{DDmax}		7	V
Allowable power dissipation	P_d	SOT23	300*	mW
Operating temperature	T_a		-40~+85	°C
Storage temperature	T_s		-55~+150	°C
Max. output current	I_{OMAX}		5	mA

*: On 50mm x 50mm x 1.6mm glass epoxy board

Key Features

- 2.4V~5V operation
- High sensitivity : 35G
- Micro Power : 5~7 μ W
- Built-in dynamic offset cancellation
- High balance and low thermal drift magnetic sensing
- ESD protection to 5KV
- Open drain output

Applications

- Cover Detection
- On/Off Detection
- Consumer Products
- Fluid level detection
- Proximity Sensor

单击下面可查看定价，库存，交付和生命周期等信息

[>>Prolific Technology\(旺玖\)](#)