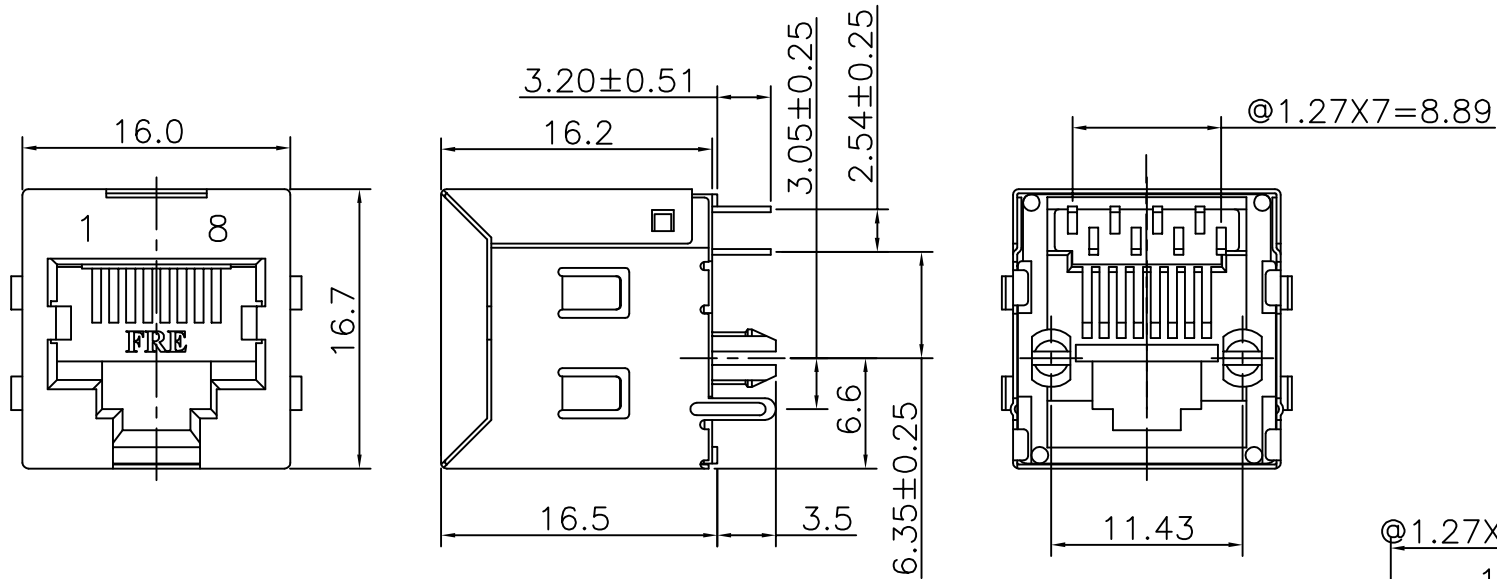


REVISION RECORD		
REV	DESCRIPTION	DRFT



NOTES:

ELECTRICAL:

1. VOLTAGE RATING : 125 VAC RMS.
2. CURRENT RATING : 1.5 AMP.
3. CONTACT RESISTANCE : 40 MILLIOHMS MAX.
4. INSULATION RESISTANCE: 1000 MEGOHMS MIN @ 500 VDC.
5. DIELECTRIC STRENGTH : 1000 VDC RMS 60Hz, 1MIN.

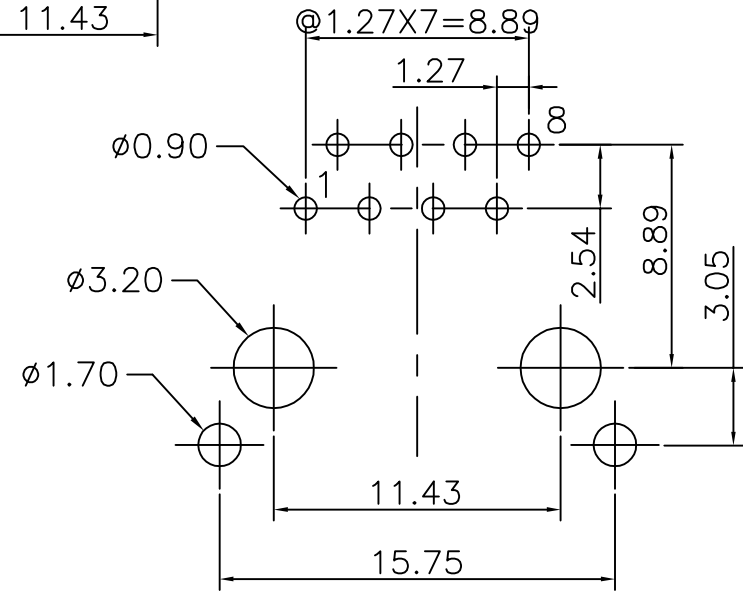
MECHANICAL:

1. HOUSING MATERIAL : GLASS FIBER FILLED PBT UL94V-0. COLOR-BLACK
2. CONTACT MATERIAL : PHOSPHOR BRONZE t=0.35mm.
3. PLATING : GOLD PLATING OVER NICKEL.
4. OPERATING LIFE : 750 CYCLES MIN.
5. PCB RETENTION PRE-SOLDER : 1 LB MIN.
6. PCB RETENTION POST-SOLDER: 10 LBS MIN.

ENVIRONMENTAL:

1. STORAGE TEMPERATURE : -40°C TO +85°C.
2. OPERATION TEMPERATURE: -40°C TO +85°C.
3. WAVE SOLDER TEMPERATURE: 235~245°C(3~5 SECONDS).
4. RoHS COMPLIANT.

MATES WITH MODULAR PLUG CONFORMING TO
FCC PART 68, SUBPART F.
CUL FILE NO. E163191



PC BOARD LAYOUT T=1.60mm
COMPONENT SIDE SHOWN
TOLERANCES±0.05mm

E5288-320044-L	30u"
PART NO.	Au PLATING

		RoHS Compliant			
TOLERANCES EXCEPT AS NOTED		TITLE			
MM	±	RJ45 TOP ENTRY PCB MODULAR JACK(DIP TYPE)			
.0 ± 0.25	±	DFTO :	ELLA	DRAWING NO.	CE5288-32004X-L
.00 ± 0.20	±	DATE :	08/13/2012	/PART NO.	E5288-320044-L
.000 ± 0.10	±	SCALE :	3:1	DO NOT SCALE DRAWING	SHEET 1 OF 1
 THIRD ANGLE PROJECTION		ANGLES ± 1°		SIZE	REV
				A3	0

单击下面可查看定价，库存，交付和生命周期等信息

[>>Pulse\(普思\)](#)