

Description: WiFi 2.4/5GHz/DSRC Antenna

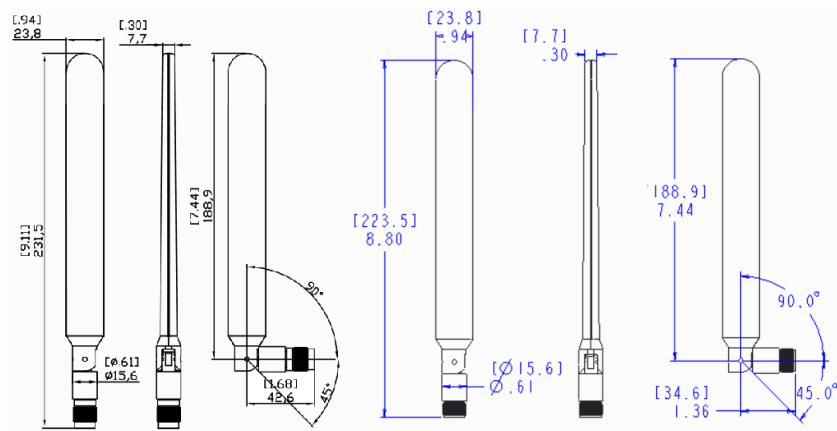
Series: IceBlade

PART NUMBER: ICEBLADEWx



Features:

- Multi Band Swivel Mount Dipole
- Transparent antenna
- ICEBLADEWT: TNC Male Connector
- ICEBLADEWS: SMA Male Connector



Applications:

- 2.4GHz/6GHz radios
- WiFi Routers, Access points
- Zigbee, BLE, BT
- Metering, Security, IoT, M2M Applications
- DSRC

All dimensions are in mm / inches

Issue: 1816

In the effort to improve our products, we reserve the right to make changes judged to be necessary.

CONFIDENTIAL AND PROPRIETARY INFORMATION

This document contains confidential and proprietary information of Pulse Electronics, Inc. (Pulse) and is protected by copyright, trade secret and other state and federal laws. Its receipt or possession does not convey any rights to reproduce, disclose its contents, or to manufacture, use or sell anything it may describe. Reproduction, disclosure or use without specific written authorization of Pulse is strictly forbidden.

For more information:

Pulse Worldwide Headquarters  
12220 World Trade Drive  
San Diego, CA 92128  
USA  
Tel: 1-858-674-8100

Pulse/Larsen Antennas  
18110 SE 34<sup>th</sup> St Bldg 2 Suite 250  
Vancouver, WA 98683  
USA  
Tel: 1-360-944-7551

Europe Headquarters  
Pulse GmbH & Do, KG  
Zeppelinstrasse 15  
Herrenberg, Germany

Pulse (Suzhou) Wireless Products Co, Inc.  
99 Huo Ju Road(#29 Bldg,4<sup>th</sup> Phase  
Suzhou New District  
Jiangsu Province, Suzhou 215009 PR China  
Tel: 86 512 6807 9998



Description: WiFi 2.4/5Ghz/DSRC Antenna

Series: IceBlade

PART NUMBER: ICEBLADEWx

This document covers all product variants of the following product family:

ICEBLADEWT: TNC Connector

ICEBLADEWS: SMA Connector

Issue: 1816

In the effort to improve our products, we reserve the right to make changes judged to be necessary.

CONFIDENTIAL AND PROPRIETARY INFORMATION

This document contains confidential and proprietary information of Pulse Electronics, Inc. (Pulse) and is protected by copyright, trade secret and other state and federal laws. Its receipt or possession does not convey any rights to reproduce, disclose its contents, or to manufacture, use or sell anything it may describe. Reproduction, disclosure or use without specific written authorization of Pulse is strictly forbidden.

Downloaded From [Oneyac.com](https://www.oneyac.com)

Description: WiFi 2.4/5GHz/DSRC Antenna

Series: IceBlade

PART NUMBER: ICEBLADEWx

**ELECTRICAL SPECIFICATIONS**

P/N	Frequency (MHz)	Peak Gain (dBi)	Efficiency (%)	VSWR	Power Standing
ICEBLADEWT	2400-2500	4.2+/-1dB	55	2.3:1	5W
	4900-6000	5.3+/-1dB	80	2.3:1	
ICEBLADEWS	2400-2500	4.2+/-1dB	55	2:1	5W
	4900-6000	5.3+/-1dB	80	2:1	

**Typical performance measured in free space**

Issue: 1816

In the effort to improve our products, we reserve the right to make changes judged to be necessary.

CONFIDENTIAL AND PROPRIETARY INFORMATION

This document contains confidential and proprietary information of Pulse Electronics, Inc. (Pulse) and is protected by copyright, trade secret and other state and federal laws. Its receipt or possession does not convey any rights to reproduce, disclose its contents, or to manufacture, use or sell anything it may describe. Reproduction, disclosure or use without specific written authorization of Pulse is strictly forbidden.

Description: WiFi 2.4/5Ghz/DSRC Antenna

Series: IceBlade

PART NUMBER: ICEBLADEWx

**MECHANICAL SPECIFICATIONS**

Plastic radome	PC945A
Color	Clarity
Flammability(Radome)	UL94 V-0
Weight	45.4g
Positions	0°, 45° & 90°
Overall length	8.8 INCHES
Fixing system	° ± 2 °
Azimuth adjustment	° ± 4°
Elevation adjustment	° ± 4°

Description: WiFi 2.4/5Ghz/DSRC Antenna

Series: IceBlade

PART NUMBER: ICEBLADEWx

## ENVIRONMENTAL SPECIFICATIONS

Operating temperature	-30/+70° C
Temperature	
Stationary	-40/+85° C
Cyclic	Rate 5°C/min, 16 hours
Humidity	
Stationary	95% @ 25° C
Cyclic	12 hours
Salt mist	96 hours

Issue: 1816

In the effort to improve our products, we reserve the right to make changes judged to be necessary.

CONFIDENTIAL AND PROPRIETARY INFORMATION

This document contains confidential and proprietary information of Pulse Electronics, Inc. (Pulse) and is protected by copyright, trade secret and other state and federal laws. Its receipt or possession does not convey any rights to reproduce, disclose its contents, or to manufacture, use or sell anything it may describe. Reproduction, disclosure or use without specific written authorization of Pulse is strictly forbidden.

Downloaded From [Oneyac.com](http://Oneyac.com)

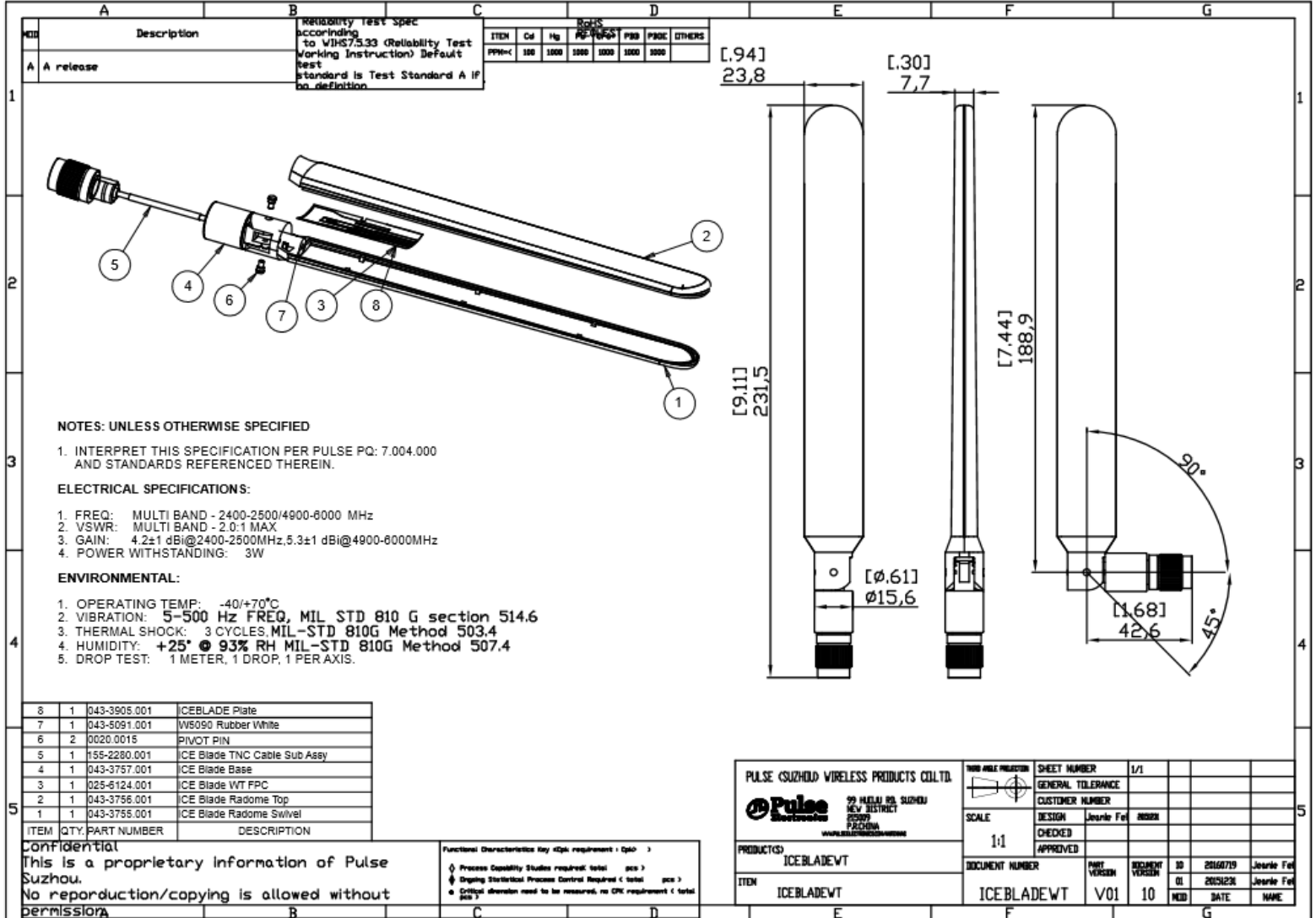
### Description: WiFi 2.4/5Ghz/DSRC Antenna

Series: IceBlade

PART NUMBER: ICEBLADEWx

## MECHANICAL DRAWING

### ICEBLADEWT: TNC Connector



Issue: 1816

In the effort to improve our products, we reserve the right to make changes judged to be necessary.

CONFIDENTIAL AND PROPRIETARY INFORMATION

This document contains confidential and proprietary information of Pulse Electronics, Inc. (Pulse) and is protected by copyright, trade secret and other state and federal laws. Its receipt or possession does not convey any rights to reproduce, disclose its contents, or to manufacture, use or sell anything it may describe. Reproduction, disclosure or use without specific written authorization of Pulse is strictly forbidden.

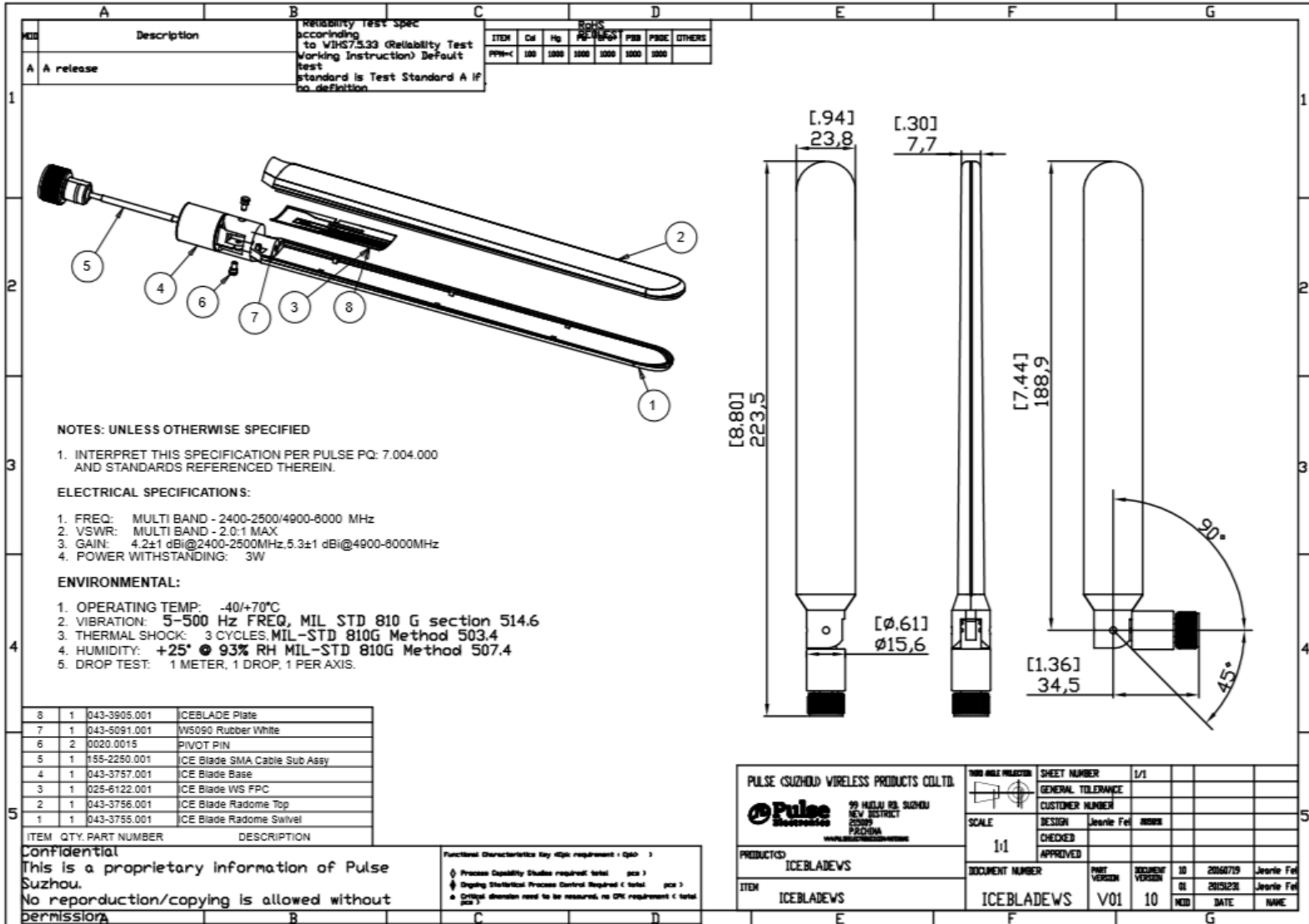
### Description: WiFi 2.4/5Ghz/DSRC Antenna

Series: IceBlade

PART NUMBER: ICEBLADEWx

## MECHANICAL DRAWING

### ICEBLADEWS: SMA Connector



Issue: 1816

In the effort to improve our products, we reserve the right to make changes judged to be necessary.

CONFIDENTIAL AND PROPRIETARY INFORMATION

This document contains confidential and proprietary information of Pulse Electronics, Inc. (Pulse) and is protected by copyright, trade secret and other state and federal laws. Its receipt or possession does not convey any rights to reproduce, disclose its contents, or to manufacture, use or sell anything it may describe. Reproduction, disclosure or use without specific written authorization of Pulse is strictly forbidden.

Description: WiFi 2.4/5GHz/DSRC Antenna

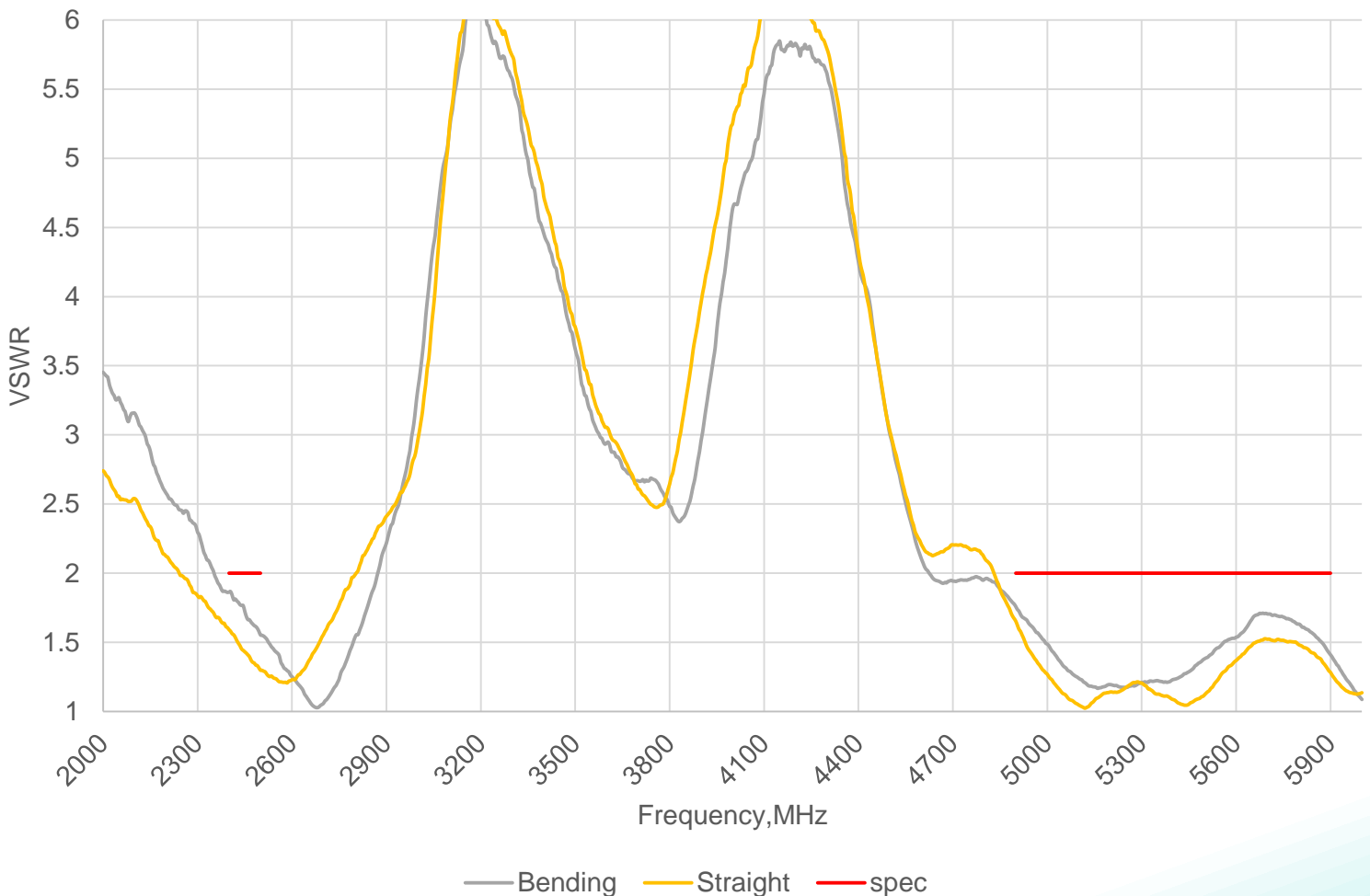
Series: IceBlade

PART NUMBER: ICEBLADEWx

OTHER SPECIFICATIONS

VSWR

VSWR vs Frequency measured in free space



**Note: Performance of ICEBLADEWS tested in free space**

Issue: 1816

In the effort to improve our products, we reserve the right to make changes judged to be necessary.

CONFIDENTIAL AND PROPRIETARY INFORMATION

This document contains confidential and proprietary information of Pulse Electronics, Inc. (Pulse) and is protected by copyright, trade secret and other state and federal laws. Its receipt or possession does not convey any rights to reproduce, disclose its contents, or to manufacture, use or sell anything it may describe. Reproduction, disclosure or use without specific written authorization of Pulse is strictly forbidden.



Description: WiFi 2.4/5Ghz/DSRC Antenna

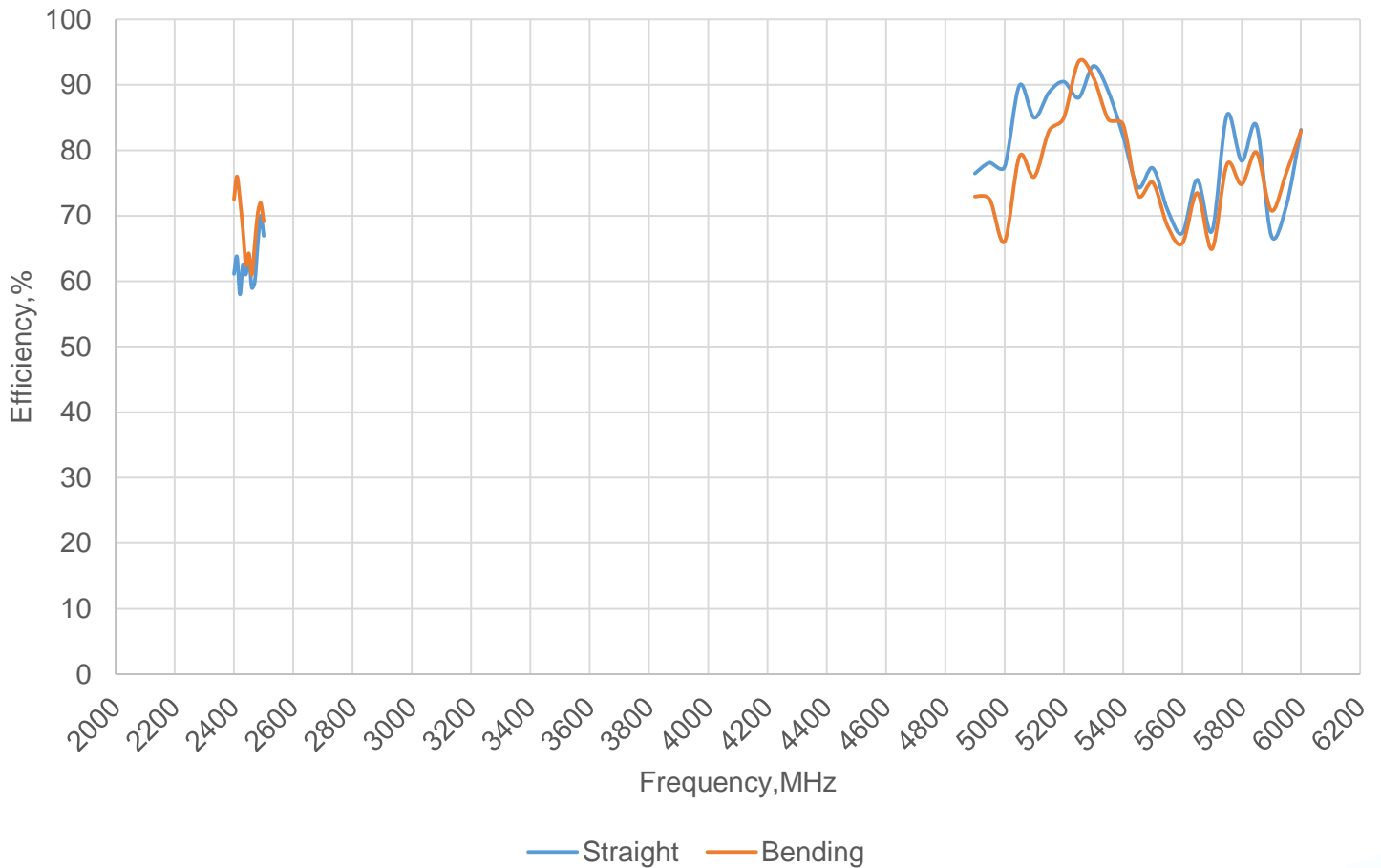
Series: IceBlade

PART NUMBER: ICEBLADEWx

CHARTS

Efficiency

Efficiency vs Frequency measured in free space



**Note: Performance of ICEBLADEWS tested in free space**

Issue: 1816

In the effort to improve our products, we reserve the right to make changes judged to be necessary.

CONFIDENTIAL AND PROPRIETARY INFORMATION

This document contains confidential and proprietary information of Pulse Electronics, Inc. (Pulse) and is protected by copyright, trade secret and other state and federal laws. Its receipt or possession does not convey any rights to reproduce, disclose its contents, or to manufacture, use or sell anything it may describe. Reproduction, disclosure or use without specific written authorization of Pulse is strictly forbidden.

Description: WiFi 2.4/5GHz/DSRC Antenna

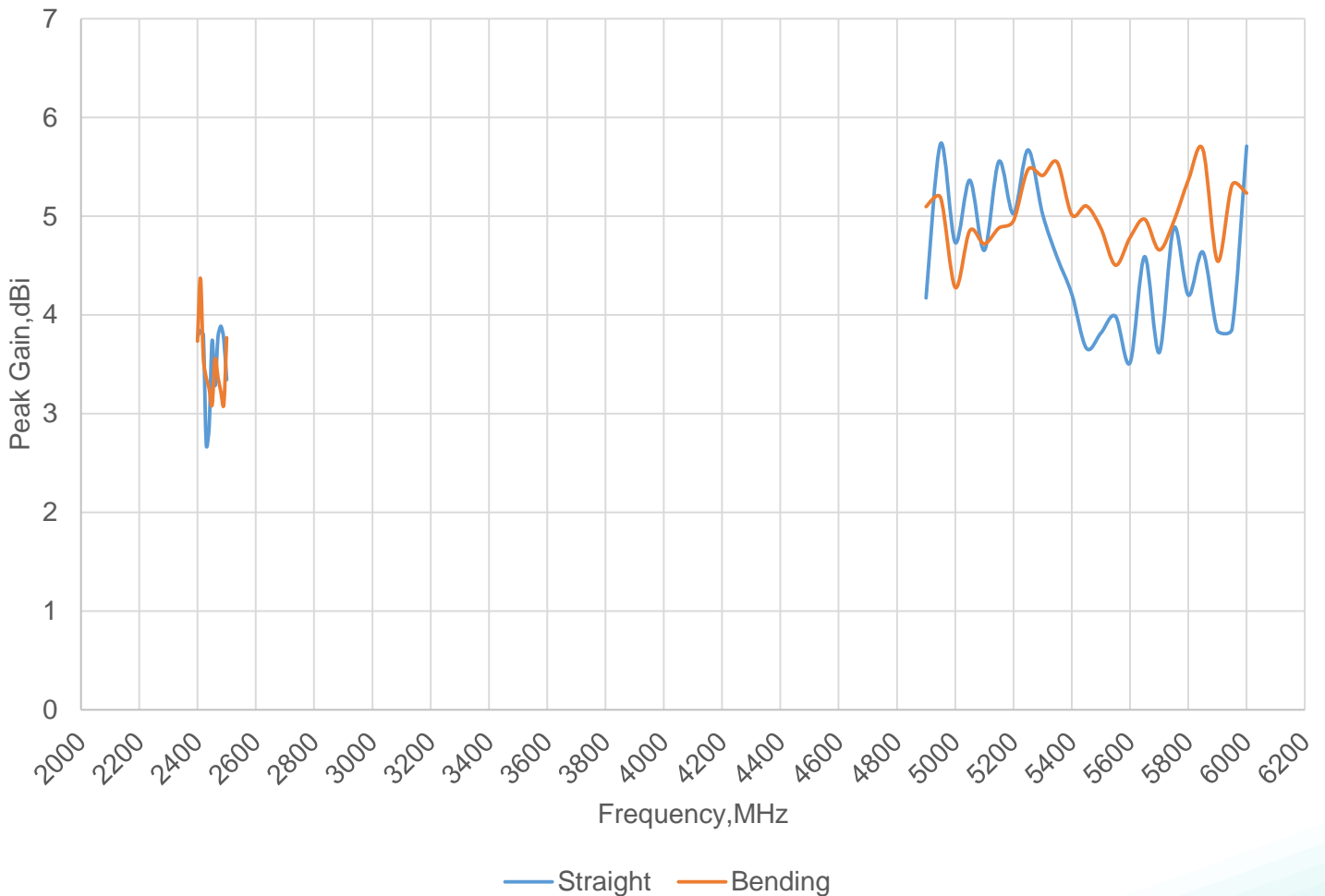
Series: IceBlade

PART NUMBER: ICEBLADEWx

CHARTS

Peak Gain

Peak Gain vs Frequency measured in free space



**Note: Performance of ICEBLADEWS tested in free space**

Issue: 1816

In the effort to improve our products, we reserve the right to make changes judged to be necessary.

CONFIDENTIAL AND PROPRIETARY INFORMATION

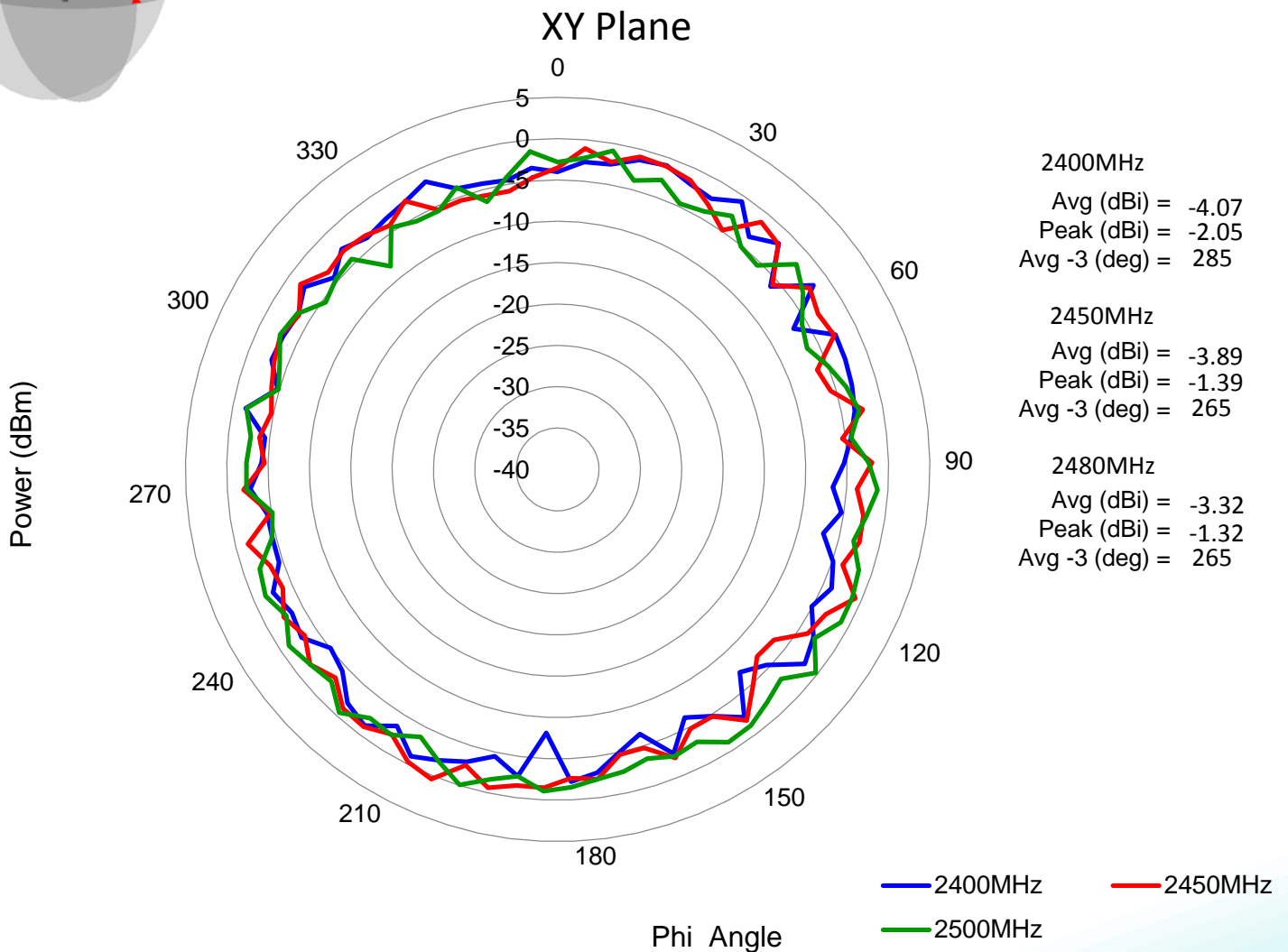
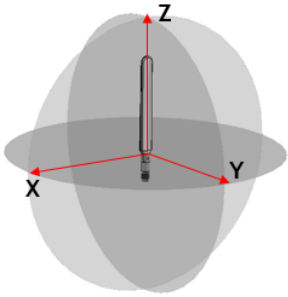
This document contains confidential and proprietary information of Pulse Electronics, Inc. (Pulse) and is protected by copyright, trade secret and other state and federal laws. Its receipt or possession does not convey any rights to reproduce, disclose its contents, or to manufacture, use or sell anything it may describe. Reproduction, disclosure or use without specific written authorization of Pulse is strictly forbidden.

Description: WiFi 2.4/5GHz/DSRC Antenna

Series: IceBlade

PART NUMBER: ICEBLADEWx

CHARTS



**Note: Performance of ICEBLADEWS tested in free space**

Issue: 1816

In the effort to improve our products, we reserve the right to make changes judged to be necessary.

CONFIDENTIAL AND PROPRIETARY INFORMATION

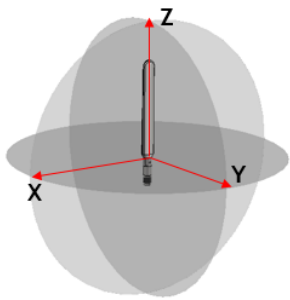
This document contains confidential and proprietary information of Pulse Electronics, Inc. (Pulse) and is protected by copyright, trade secret and other state and federal laws. Its receipt or possession does not convey any rights to reproduce, disclose its contents, or to manufacture, use or sell anything it may describe. Reproduction, disclosure or use without specific written authorization of Pulse is strictly forbidden.

Description: WiFi 2.4/5GHz/DSRC Antenna

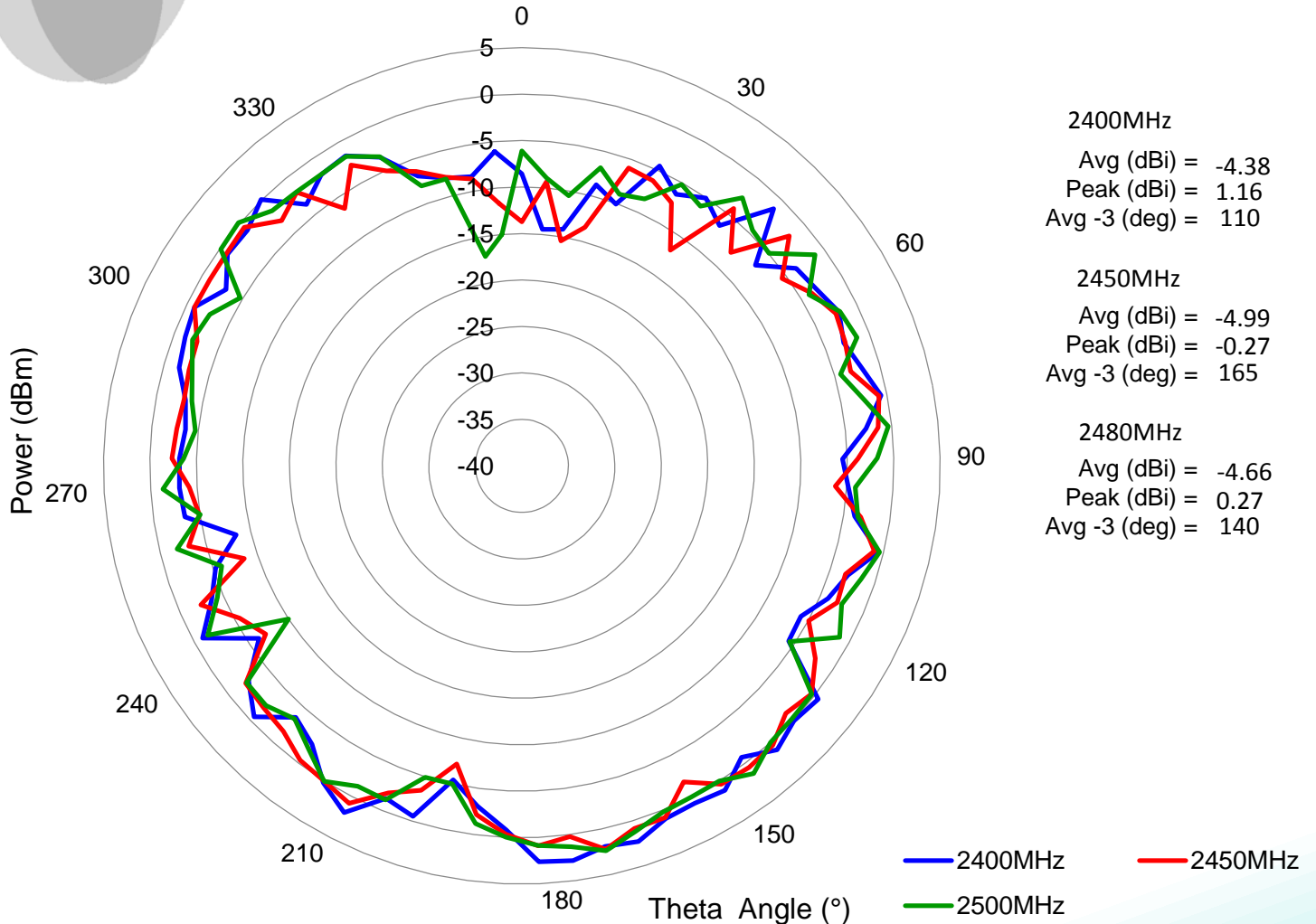
Series: IceBlade

PART NUMBER: ICEBLADEWx

CHARTS



ZX Plane



**Note: Performance of ICEBLADEWS tested in free space**

Issue: 1816

In the effort to improve our products, we reserve the right to make changes judged to be necessary.

CONFIDENTIAL AND PROPRIETARY INFORMATION

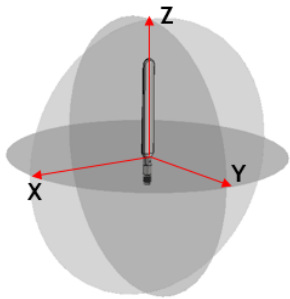
This document contains confidential and proprietary information of Pulse Electronics, Inc. (Pulse) and is protected by copyright, trade secret and other state and federal laws. Its receipt or possession does not convey any rights to reproduce, disclose its contents, or to manufacture, use or sell anything it may describe. Reproduction, disclosure or use without specific written authorization of Pulse is strictly forbidden.

Description: WiFi 2.4/5GHz/DSRC Antenna

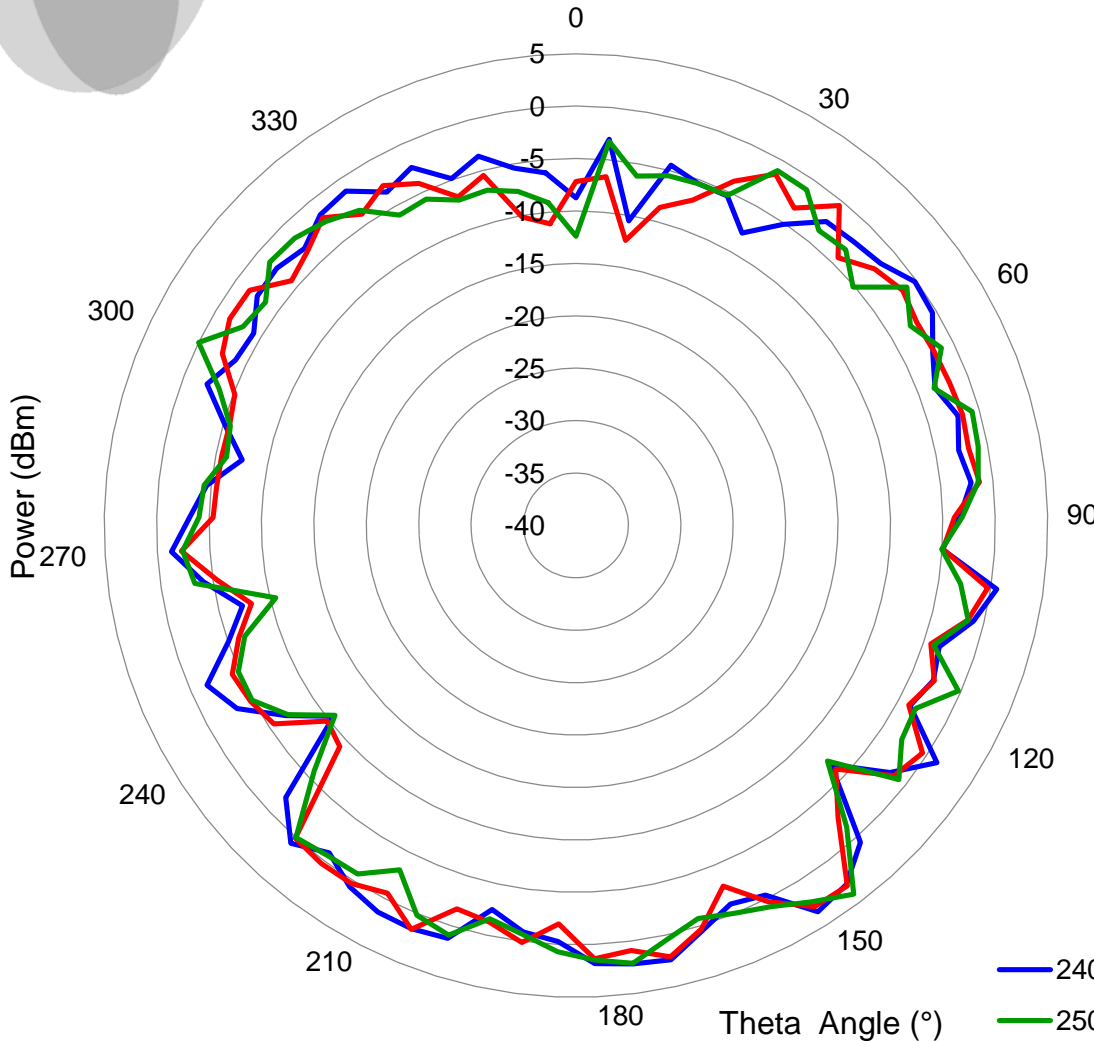
Series: IceBlade

PART NUMBER: ICEBLADEWx

CHARTS



YZ Plane



2400MHz  
Avg (dBi) = -5.51  
Peak (dBi) = 1.17  
Avg -3 (deg) = 55

2450MHz  
Avg (dBi) = -5.79  
Peak (dBi) = 1.17  
Avg -3 (deg) = 40

2480MHz  
Avg (dBi) = -5.37  
Peak (dBi) = 0.76  
Avg -3 (deg) = 60

— 2400MHz — 2450MHz  
— 2500MHz

**Note: Performance of ICEBLADEWS tested in free space**

Issue: 1816

In the effort to improve our products, we reserve the right to make changes judged to be necessary.

CONFIDENTIAL AND PROPRIETARY INFORMATION

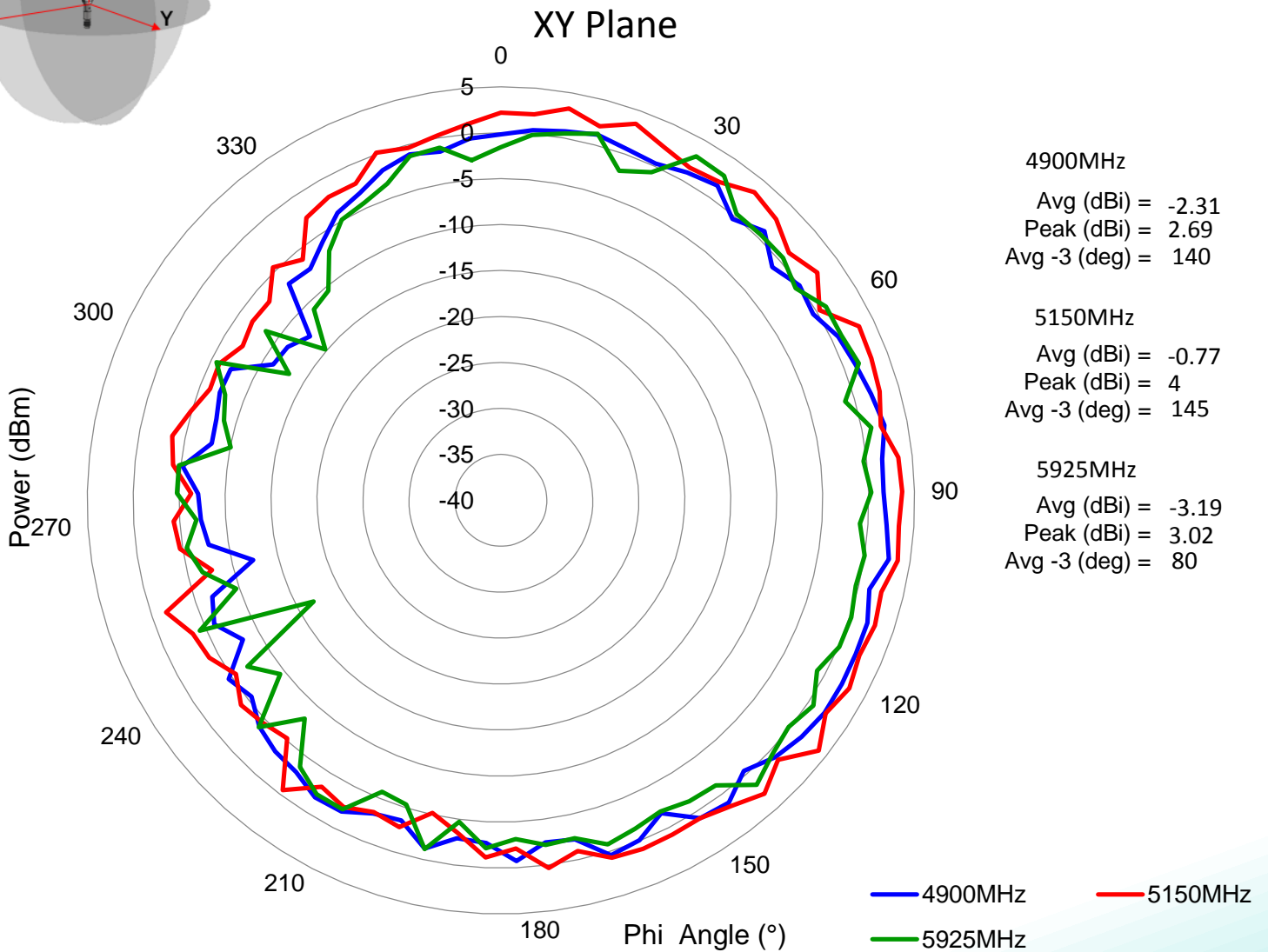
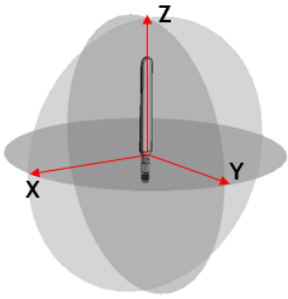
This document contains confidential and proprietary information of Pulse Electronics, Inc. (Pulse) and is protected by copyright, trade secret and other state and federal laws. Its receipt or possession does not convey any rights to reproduce, disclose its contents, or to manufacture, use or sell anything it may describe. Reproduction, disclosure or use without specific written authorization of Pulse is strictly forbidden.

Description: WiFi 2.4/5GHz/DSRC Antenna

Series: IceBlade

PART NUMBER: ICEBLADEWx

CHARTS



**Note: Performance of ICEBLADEWS tested in free space**

Issue: 1816

In the effort to improve our products, we reserve the right to make changes judged to be necessary.

CONFIDENTIAL AND PROPRIETARY INFORMATION

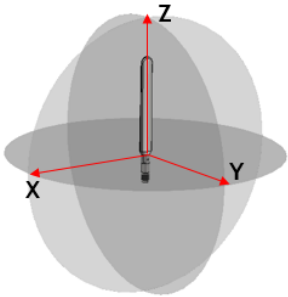
This document contains confidential and proprietary information of Pulse Electronics, Inc. (Pulse) and is protected by copyright, trade secret and other state and federal laws. Its receipt or possession does not convey any rights to reproduce, disclose its contents, or to manufacture, use or sell anything it may describe. Reproduction, disclosure or use without specific written authorization of Pulse is strictly forbidden.

Description: WiFi 2.4/5GHz/DSRC Antenna

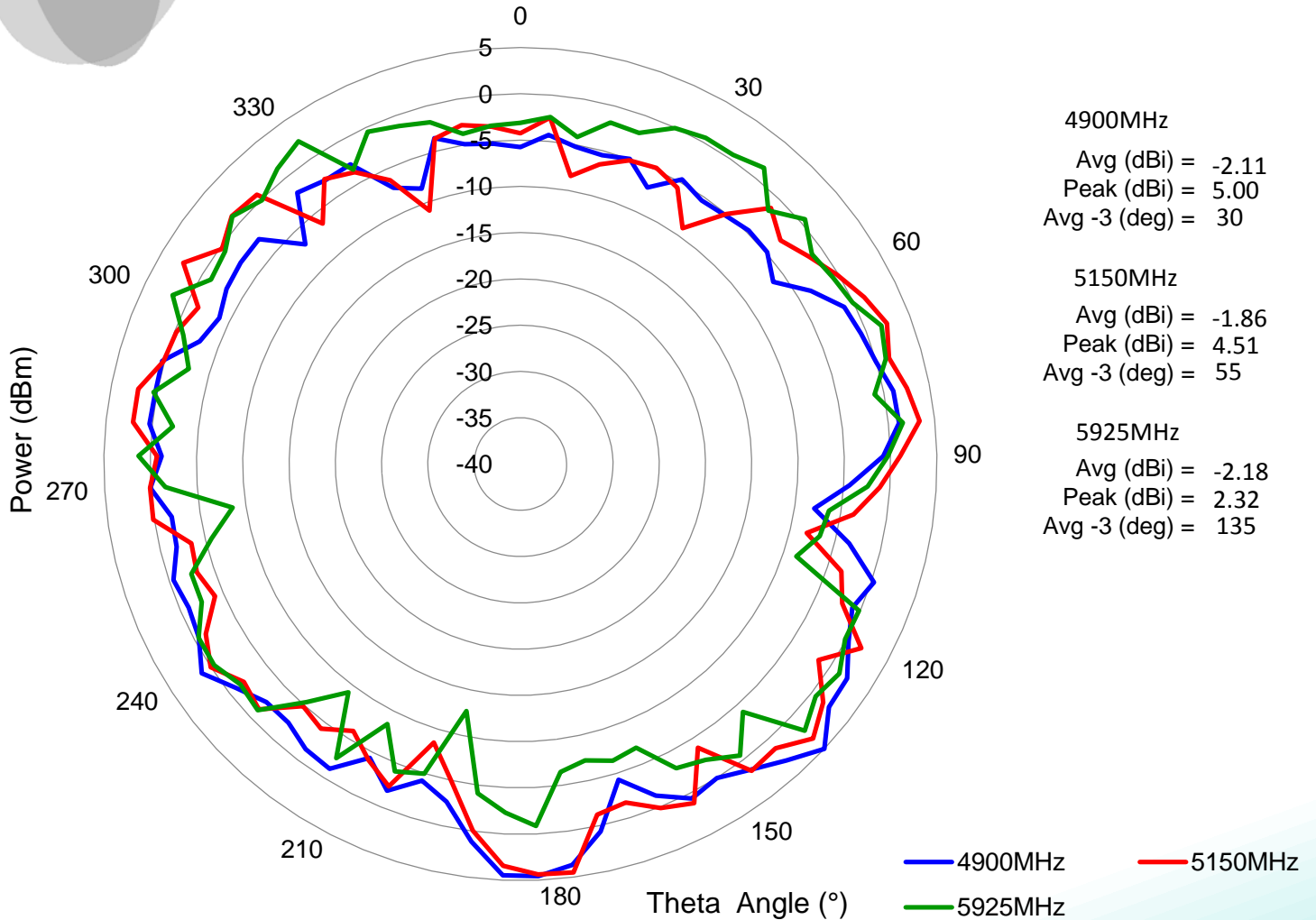
Series: IceBlade

PART NUMBER: ICEBLADEWx

CHARTS



ZX Plane



**Note: Performance of ICEBLADEWS tested in free space**

Issue: 1816

In the effort to improve our products, we reserve the right to make changes judged to be necessary.

CONFIDENTIAL AND PROPRIETARY INFORMATION

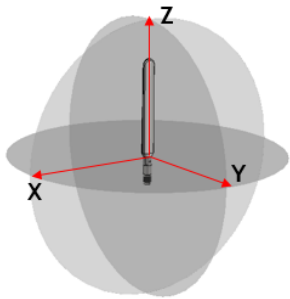
This document contains confidential and proprietary information of Pulse Electronics, Inc. (Pulse) and is protected by copyright, trade secret and other state and federal laws. Its receipt or possession does not convey any rights to reproduce, disclose its contents, or to manufacture, use or sell anything it may describe. Reproduction, disclosure or use without specific written authorization of Pulse is strictly forbidden.

Description: WiFi 2.4/5GHz/DSRC Antenna

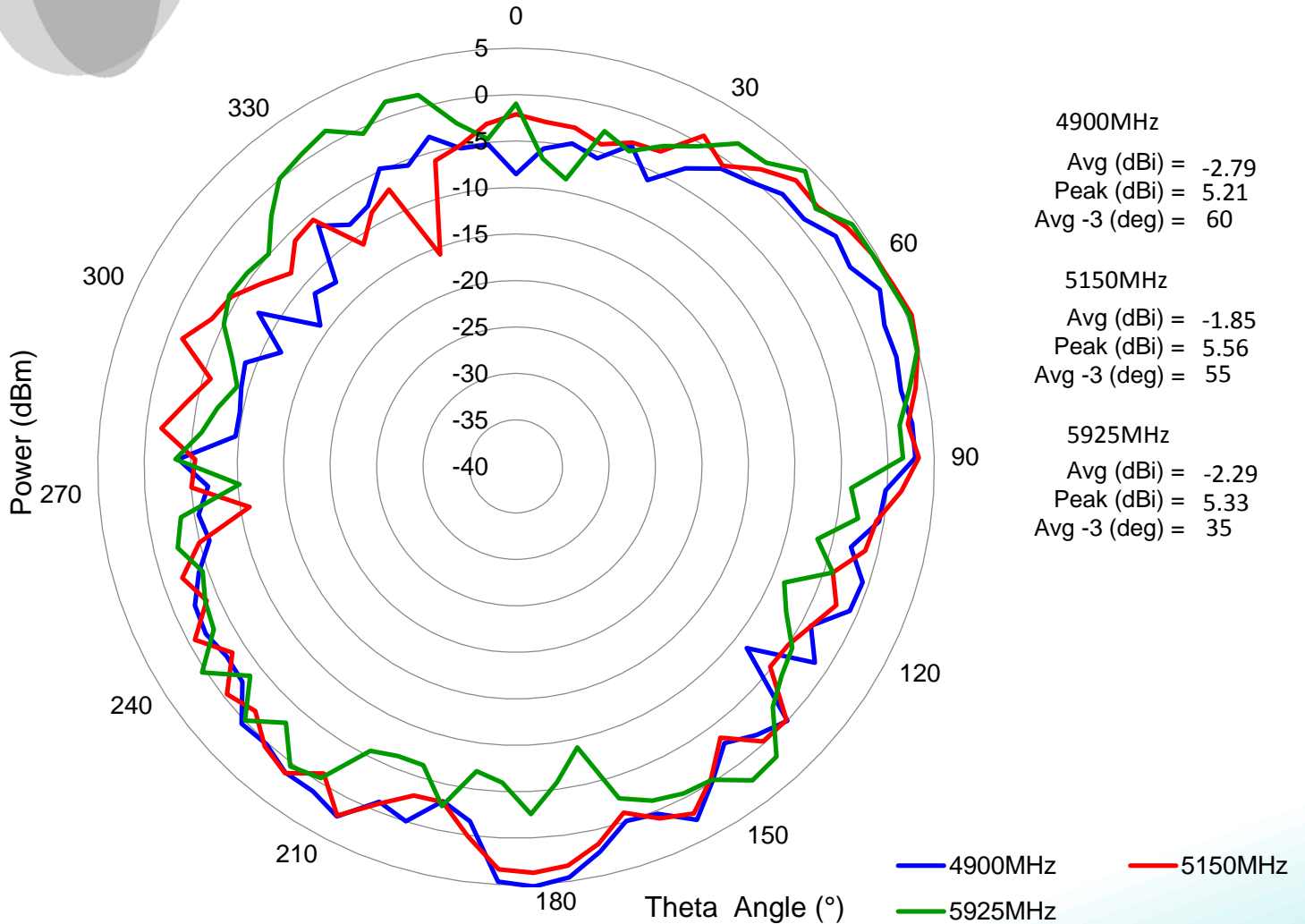
Series: IceBlade

PART NUMBER: ICEBLADEWx

CHARTS



YZ Plane



**Note: Performance of ICEBLADEWS tested in free space**

Issue: 1816

In the effort to improve our products, we reserve the right to make changes judged to be necessary.

CONFIDENTIAL AND PROPRIETARY INFORMATION

This document contains confidential and proprietary information of Pulse Electronics, Inc. (Pulse) and is protected by copyright, trade secret and other state and federal laws. Its receipt or possession does not convey any rights to reproduce, disclose its contents, or to manufacture, use or sell anything it may describe. Reproduction, disclosure or use without specific written authorization of Pulse is strictly forbidden.



Description: WiFi 2.4/5Ghz/DSRC Antenna

Series: IceBlade

PART NUMBER: ICEBLADEWx

## PACKAGING

Pack 10 antennae in one box, each antenna has a PE bag with one label.

Issue: 1816

In the effort to improve our products, we reserve the right to make changes judged to be necessary.

CONFIDENTIAL AND PROPRIETARY INFORMATION

This document contains confidential and proprietary information of Pulse Electronics, Inc. (Pulse) and is protected by copyright, trade secret and other state and federal laws. Its receipt or possession does not convey any rights to reproduce, disclose its contents, or to manufacture, use or sell anything it may describe. Reproduction, disclosure or use without specific written authorization of Pulse is strictly forbidden.

Downloaded From [oneyac.com](https://www.oneyac.com)

单击下面可查看定价，库存，交付和生命周期等信息

[>>Pulse\(普思\)](#)