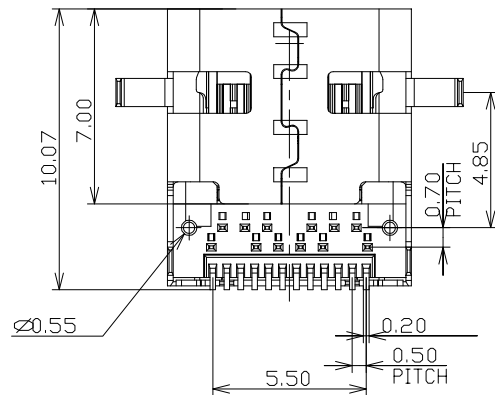
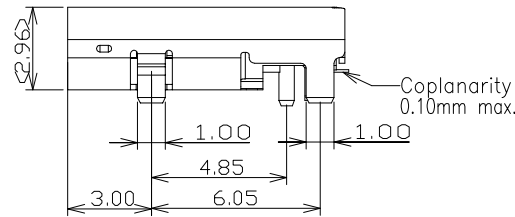
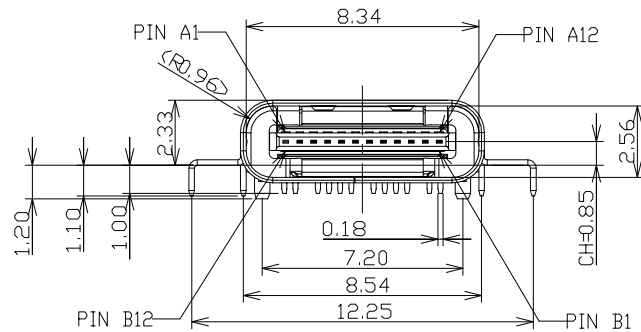
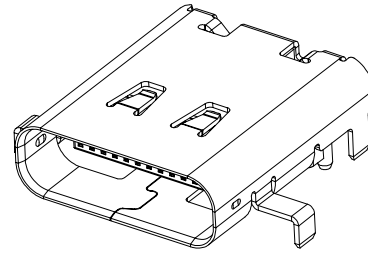
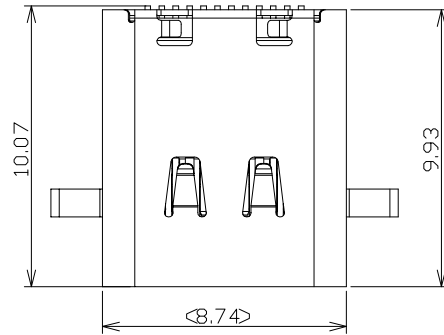


| REVISION RECORD | | |
|-----------------|-------------|------|
| REV | DESCRIPTION | DRFT |
| | | |



NOTES:

ELECTRICAL CHARACTERISTICS:

1. LOW LEVEL CONTACT RESISTANCE:
INITIAL:40mΩ FOR ALL CONTACT MAX.
AFTER : 10mΩ MAX. CHANGE.
2. DIELECTRIC WITHSTANDING VOLTAGE:
100 VAC FOR 1 MINUTE SEA LEVEL.
3. INSULATION RESISTANCE:
100MΩ MIN.
- 4.CURRENT RATING:
VBUS AND GND CONTACTS RATED AT 1.25A.
PARALLELED FOR A TOTAL OF 5A

MECHANICAL CHARACTERISTICS:

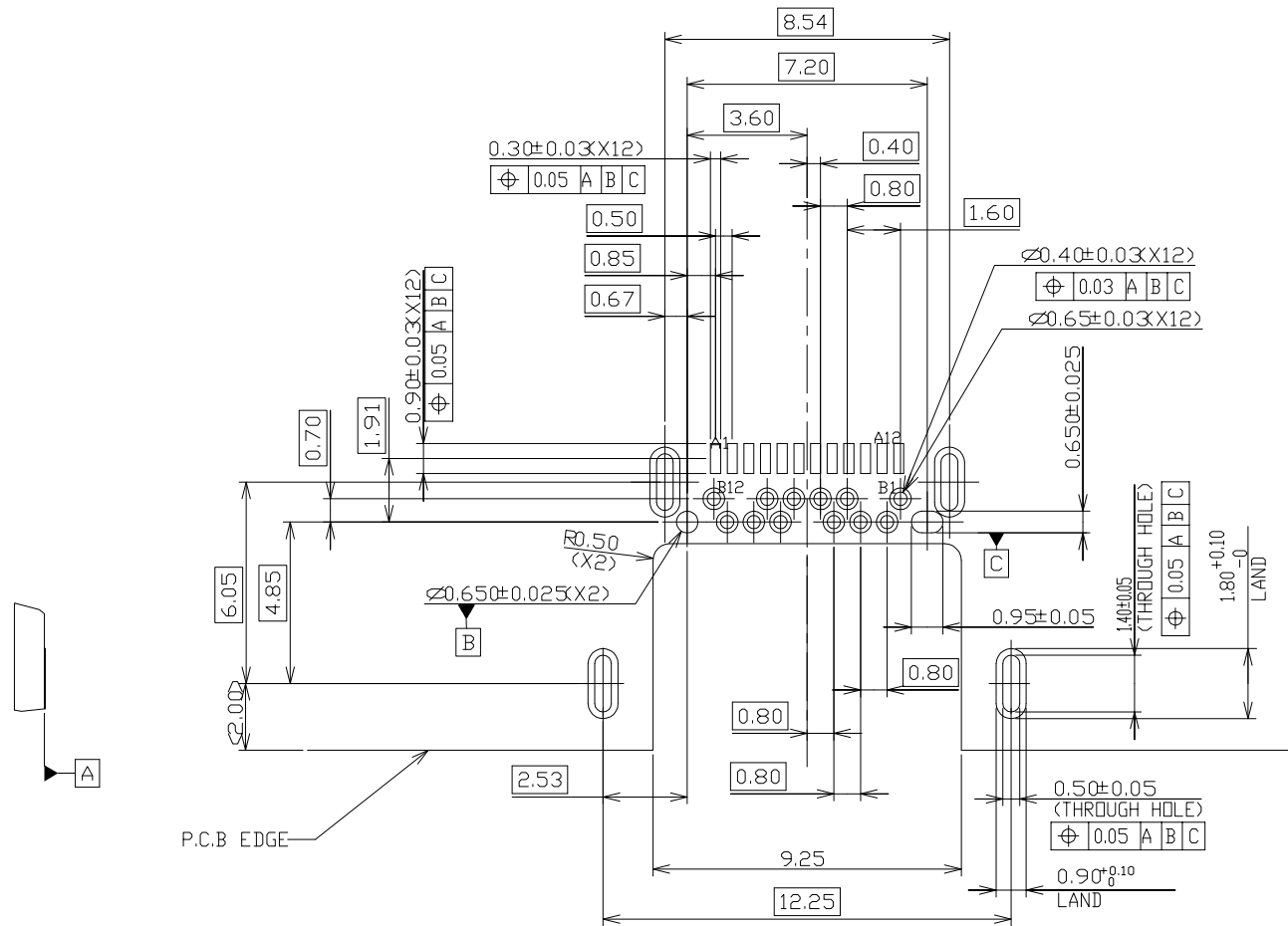
1. INSERTION FORCE: 20N MAX
2. EXTRACTION FORCE: 8N MIN. 20N MAX.
3. DURABILITY : 10,000 CYCLES
4. PLATING OF CONTACT:
Au 30u" PLATING ON CONTACT AREA.
5. OPERATING TEMPERATURE: -55°C TO +85°C

| | | | | | | | | | | | | |
|-------------|-----|--------|--------|------|------|-----|-----|------|------|--------|--------|-----|
| PIN NO. | A1 | A2 | A3 | A4 | A5 | A6 | A7 | A8 | A9 | A10 | A11 | A12 |
| SIGNAL NAME | GND | SSTXp1 | SSTXn1 | VBUS | CC1 | Dp1 | Dn1 | SBU1 | VBUS | SSRXn2 | SSRXp2 | GND |
| PIN NO. | B12 | B11 | B10 | B9 | B8 | | | | | | B2 | B1 |
| SIGNAL NAME | GND | SSRXp1 | SSRXn1 | VBUS | SBU2 | | | | | | SSTXp2 | GND |

Downloaded From Oneyac.com

| MM (INCH) | | RoHS Compliant | | Pulse Electronics | |
|----------------------------|--|-------------------|--|---|--|
| TOLERANCES EXCEPT AS NOTED | | | | | |
| MM | | | | | |
| .0 ± 0.25 | | | | | |
| .00 ± 0.20 | | | | | |
| .000 ± 0.10 | | | | | |
| ANGLES ± 1° | | DFTO : Ellg | | DRAWING NO. CE8124-010-01 | |
| THIRD ANGLE PROJECTION | | DATE : 11/18/2015 | | /PART NO. E8124-010-01 | |
| | | SCALE : 1:1 | | DO NOT SCALE DRAWING | |
| | | | | SHEET 1 OF 2 | |
| | | | | SIZE A3 REV 1 | |
| | | | | TITLE USB 3.1 GEN1 (5G) TYPE C CONN RECEPTACLE - MID MOUNT TYPE | |

| REVISION RECORD | | |
|-----------------|-------------|------|
| REV | DESCRIPTION | DRFT |
| | | |



RECOMMENDED PCB LAYOUT
 THICKNESS IS 0.9mm
 TOLERANCE ± 0.05
 (TOP VIEW)

| MM (INCH) | | RoHS Compliant | | Pulse Electronics | |
|----------------------------|--------|--|--|---------------------------|--------------|
| TOLERANCES EXCEPT AS NOTED | | | | | |
| MM | ± | TITLE USB 3.1 GEN1 (5G) TYPE C CONN RECEPTACLE - MID MOUNT TYPE | | | |
| .0 | ± 0.25 | | | | |
| .00 | ± 0.20 | | | | |
| .000 | ± 0.10 | DFTO : Ellg | | DRAWING NO. CE8124-010-01 | SIZE A3 |
| ANGLES ± 1° | | DATE : 11/18//2015 | | /PART NO. E8124-010-01 | REV 1 |
| THIRD ANGLE PROJECTION | | SCALE : 1:1 | | DO NOT SCALE DRAWING | SHEET 2 OF 2 |

单击下面可查看定价，库存，交付和生命周期等信息

[>>Pulse\(普思\)](#)