

DATA SHEET

WIRELESS COMPONENTS

Ceramic Patch Antenna
ANT1212B00FT1575S

GPS
PIN 12 × 12 × 4 mm



FEATURES

- Compact size
- High radiation efficiency
- Pin-solder process
- RoHS compliant

APPLICATIONS

- Navigation device
- Telematics box
- Fleet management

ORDERING INFORMATION

All part numbers are identified by the series, packing type, material, size, antenna type, working frequency and packing quantity.

PART NUMBER

ANT 1212 B 00F T 1575S
 (1) (2) (3) (4) (5) (6)

(1) PRODUCT

ANT = Antenna

(2) SIZE

12 = 12x12 mm

(3) ANTENNA TYPE

B = Bulk Antenna

(4) SERIAL NO.

00F

(5) PACKING TYPE

T = Tray

(6) WORKING FREQUENCY

1575 = 1.575 GHz

PHYCOMP CTC

CAN43934220F1581B

I2NC

43934220F158

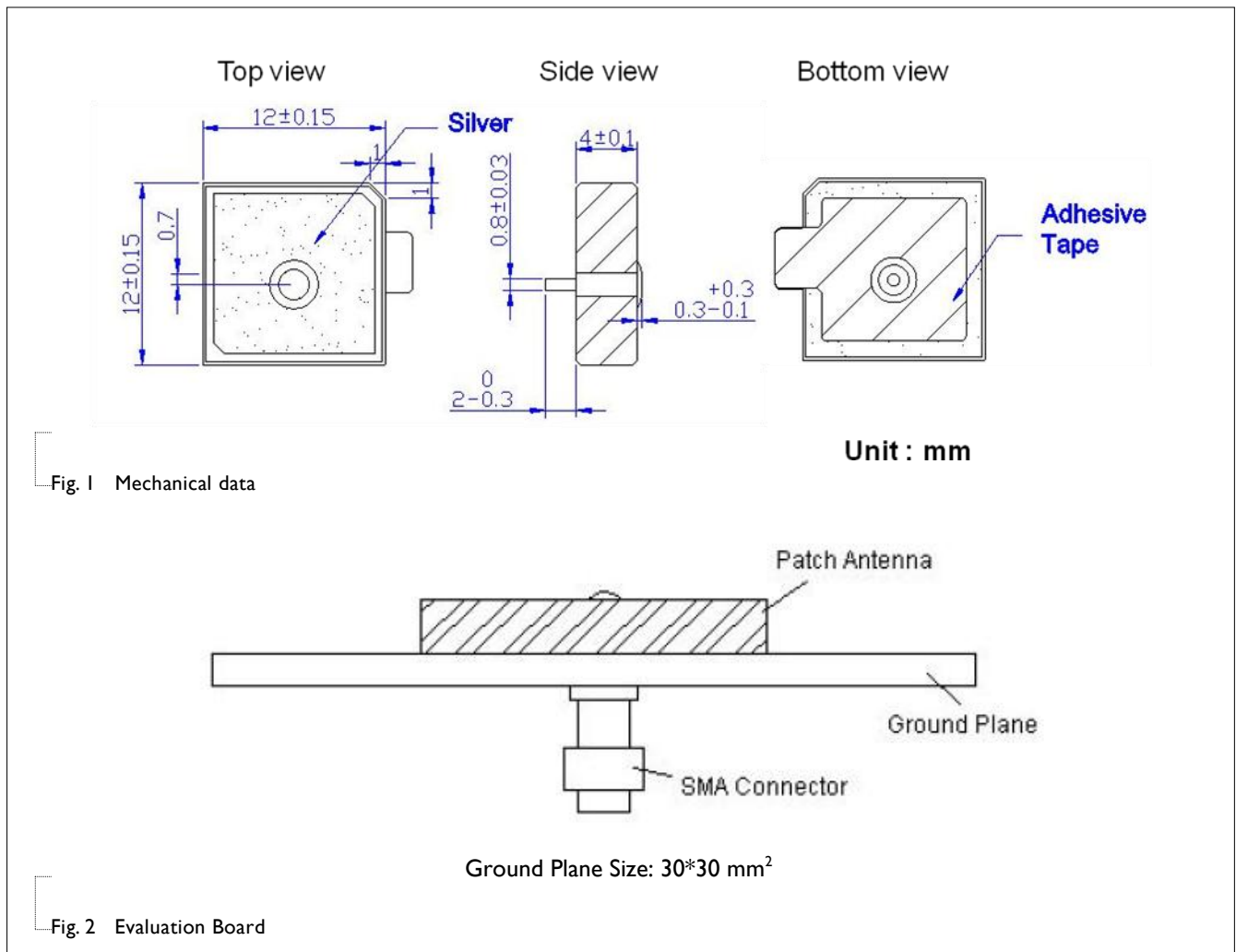
SPECIFICATION

Table I

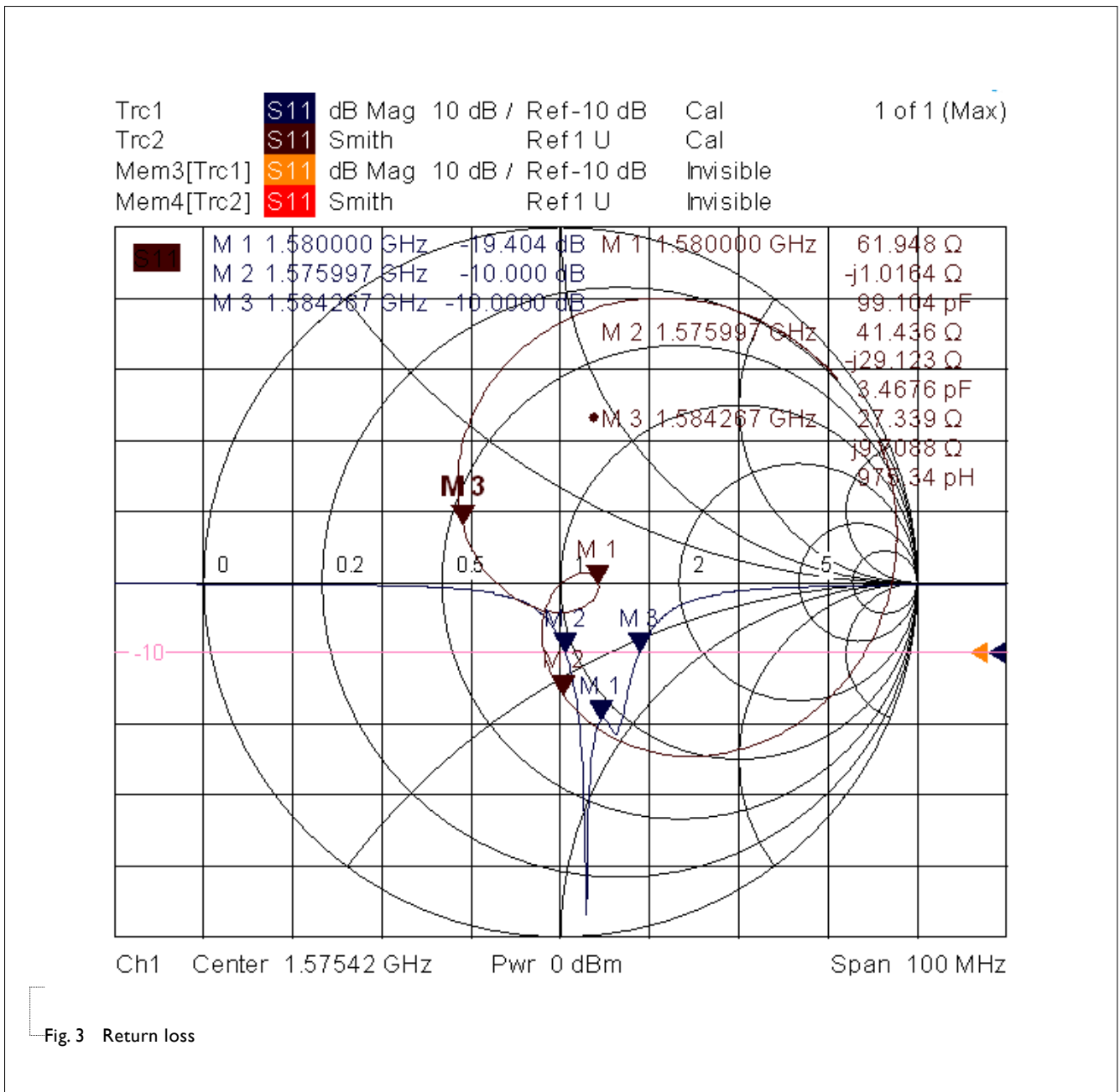
DESCRIPTION	VALUE
Centre Frequency	1580 ± 3 MHz
Bandwidth	5 MHz (Typ.)
Gain	-1.5 dBic (Typ.)
VSWR	2.0 Max
Polarization	Right Hand Circular Polarization
Axis Ratio	≤ 3dB
Beam Width	> 120 degrees
Impedance	50 Ω
Operating Temperature	-40~105 °C

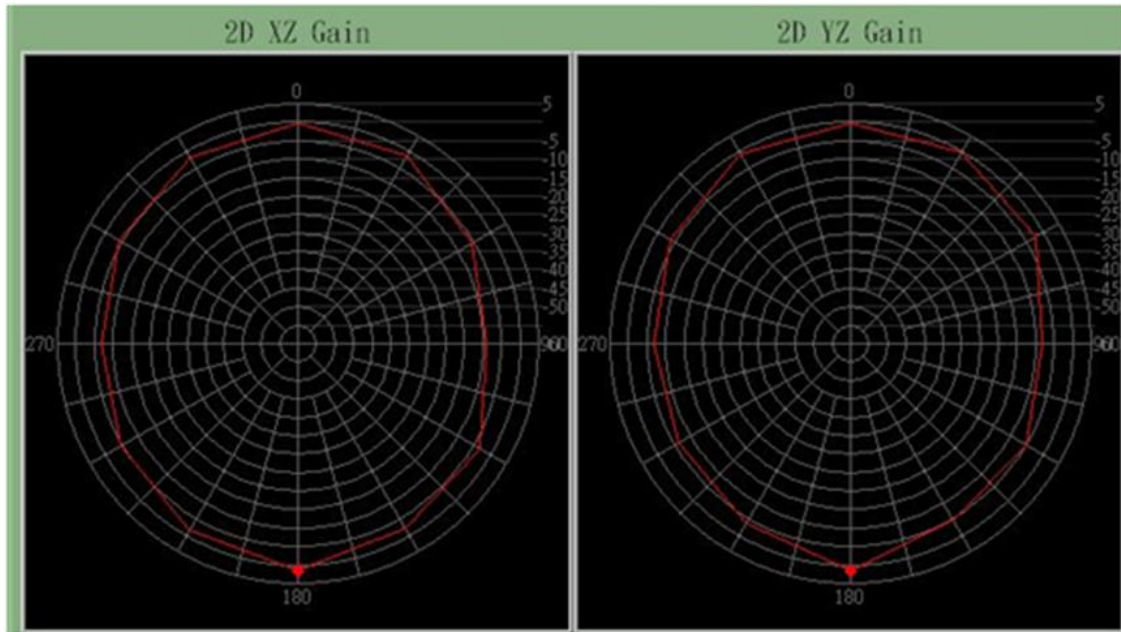
NOTE

1. Based on 30×30mm² square ground plane.
2. Centre frequency will be offset to working frequency while changes of customer's housing and ground plane.
3. Please contact local sales if you need customized design to gain optimum antenna performance.



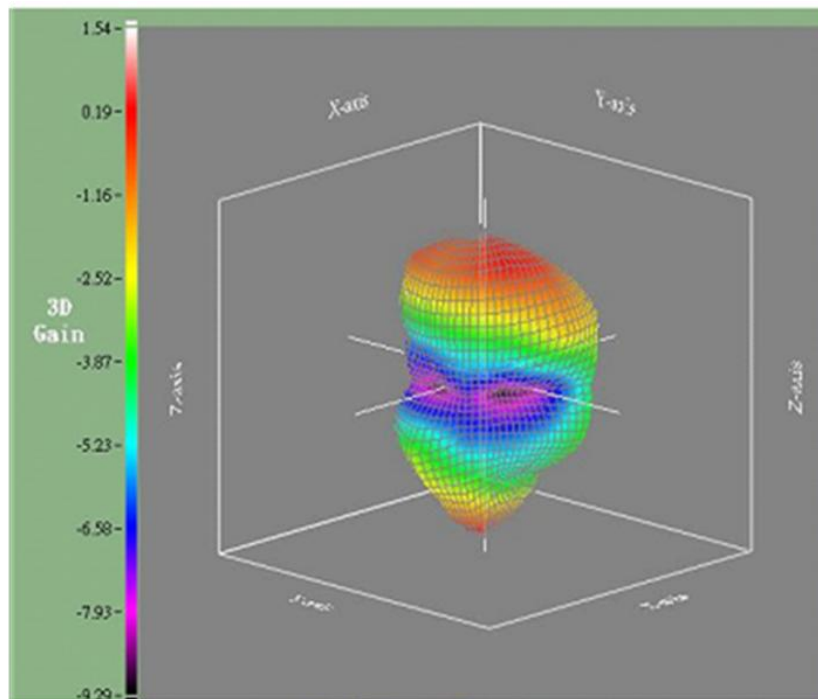
ELECTRICAL PERFORMANCES





2D x-z plane pattern

2D y-z plane pattern



3D radiation pattern

Fig. 4 Radiation Pattern (Frequency = 1580MHz)

REVISION HISTORY

REVISION	DATE	CHANGE NOTIFICATION	DESCRIPTION
Version 0	Mar 09, 2015	-	- New data sheet for Patch antenna, PIN Feed size 12×12×4 mm

单击下面可查看定价，库存，交付和生命周期等信息

[>>Pulse\(普思\)](#)