

### CX4002LNL

- SPLITTER, 2-WAY
- 5-1000MHz
- IMPEDANCE = 75 OHMS
- SURFACE MOUNT

#### ELECTRICAL SPECIFICATIONS: @ 25°C

##### INSERTION LOSS(>3DB):

FREQUENCY	ATTENUATION
5-1000 MHz	4.5 dB MAX

##### ISOLATION:

FREQUENCY	ATTENUATION
5-1000 MHz	17 dB MIN

##### INPUT RETURN LOSS:

FREQUENCY	ATTENUATION
5-1000 MHz	17.5 dB MIN

##### PHASE UNBALANCE:

FREQUENCY	ATTENUATION
5-1000 MHz	4 DEG MAX

##### OUTPUT RETURN LOSS:

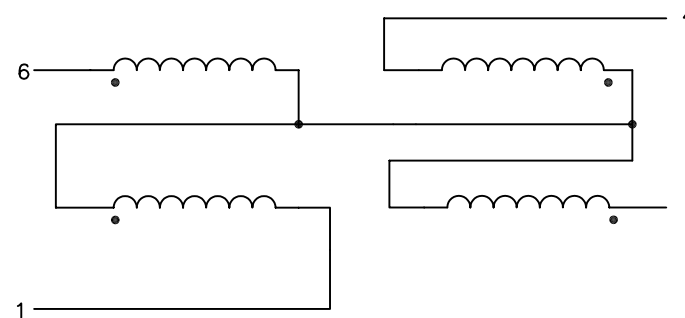
FREQUENCY	ATTENUATION
5-1000 MHz	18 dB MIN

##### PHASE UNBALANCE:

FREQUENCY	ATTENUATION
5-1000 MHz	0.8 dB MAX

#### NOTES: UNLESS OTHERWISE SPECIFIED

1. OPERATING TEMPERATURE: -40°C TO +85°C
2. STORAGE TEMPERATURE: -50°C TO +125°C
3. COMPLIANCE TO J-STD:
  - J-STD-002: SOLDERABILITY AT REFLOW PEAK TEMPERATURE OF 245°C
  - J-STD-020: MSL 1, NO MOISTURE SENSITIVE
  - J-STD-075: R6, 250°C MAXIMUM THROUGH REFLOW SOLDER
4. DIMENSIONS ARE IN INCHES.
  - TOLERANCE:
  - .XX ±.01
  - .XXX ±.005
5. OPTIONAL TAPE & REEL PACKAGING CAN BE ORDERED BY ADDING A "T" SUFFIX TO THE PART NUMBER. ie: CX4002LNL T



SCHEMATIC

© Copyright, 2014. Pulse Electronics Corp. All rights reserved. Pulse confidential & proprietary. (04/14/2014)

PRODUCT DESCRIPTION:

SPLITTER, 2-WAY, 5-1000MHz, FORWARD

SHEET:

1 OF 2

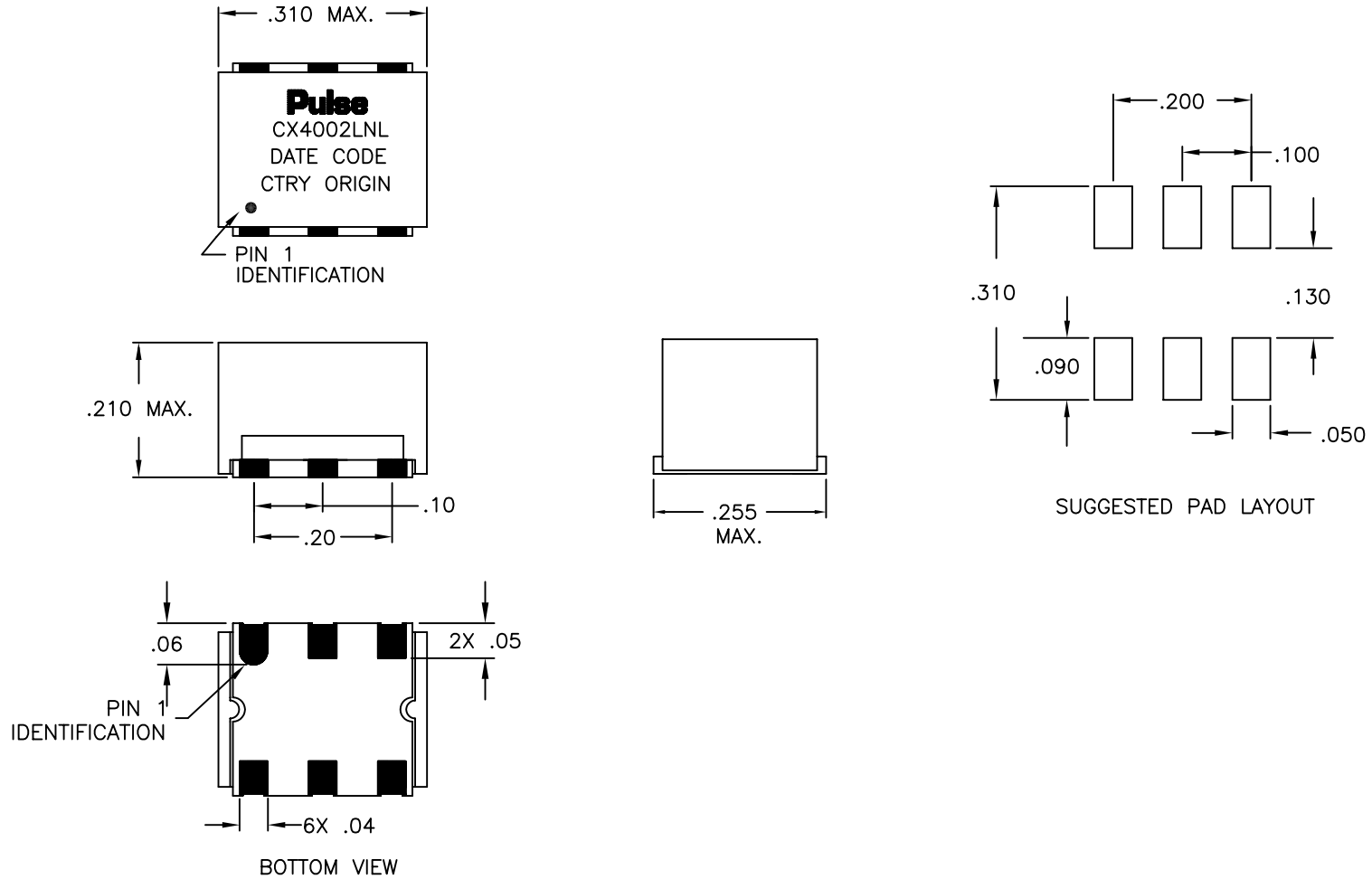
PART NO.

CX4002LNL

DATASHEET REV.

M11

**MECHANICAL SPECIFICATIONS:**



© Copyright, 2014. Pulse Electronics Corp. All rights reserved. Pulse confidential & proprietary. (04/14/2014)

PRODUCT DESCRIPTION:		SHEET:	PART NO.	DATASHEET REV.
SPLITTER, 2-WAY, 5-1000MHz, FORWARD		2 OF 2	CX4002LNL	M11

单击下面可查看定价，库存，交付和生命周期等信息

[>>Pulse\(普思\)](#)