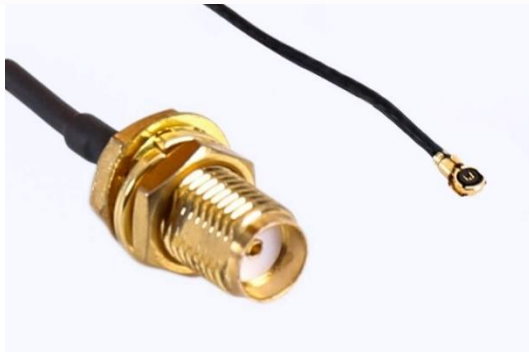


**Description:** MHF4 - SMA Female Jumper Cable

**Series:** Cable Assembly

**PART NUMBER:** W9017BDXXXX



### Features:

- Low Loss mini coax cable
- OD 0.81mm
- Color Black
- Various cable lengths available, refer to page 2.
- RoHS compliant

### Applications:

- SMA Female to MHF-4 jumper cable
- RF connections for radios and antennas
- Connection from radio to external antennas

All dimensions are in mm / inches

Issue: 1901

In the effort to improve our products, we reserve the right to make changes judged to be necessary.

CONFIDENTIAL AND PROPRIETARY INFORMATION

This document contains confidential and proprietary information of Pulse Electronics, Inc. (Pulse) and is protected by copyright, trade secret and other state and federal laws. Its receipt or possession does not convey any rights to reproduce, disclose its contents, or to manufacture, use or sell anything it may describe. Reproduction, disclosure or use without specific written authorization of Pulse is strictly forbidden.

For more information:

Pulse Worldwide Headquarters  
15255 Innovation Drive #100  
San Diego, CA 92128  
USA  
Tel: 1-858-674-8100

Pulse/Larsen Antennas  
18110 SE 34<sup>th</sup> St Bldg 2 Suite 250  
Vancouver, WA 98683  
USA  
Tel: 1-360-944-7551

Europe Headquarters  
Pulse GmbH & Do, KG  
Zeppelinstrasse 15  
Herrenberg, Germany

Pulse (Suzhou) Wireless Products Co, Inc.  
99 Huo Ju Road(#29 Bldg,4<sup>th</sup> Phase  
Suzhou New District  
Jiangsu Province, Suzhou 215009 PR China  
Tel: 86 512 6807 9998

Description: MHF4 - SMA Female Jumper Cable

Series: Cable Assembly

PART NUMBER:W9017BDXXXX

### ELECTRICAL SPECIFICATIONS

Frequency	0~7.1GHz
Nominal Impedance	50±2 Ω
RL of Port-SMA Female	-10dB(Max)
RL of Port-MHF4	-10dB(Max)
Max operating voltage(V)	1000

Frequency	Overall Attenuation/dB		
	W9017BD0100	W9017BD0200	W9017BD0250
0.1MHz	0.04	0.06	0.07
1G	0.47	0.77	0.90
2G	0.64	1.10	1.30
3G	0.84	1.43	1.62
4G	0.95	1.66	1.95
5G	1.20	1.88	2.11
6G	1.47	2.23	2.51
7G	1.64	2.65	2.92
8G	2.16	3.14	3.21

### MECHANICAL SPECIFICATIONS

	Connector Type	Cable Type	Overall Length(m m/in)	Cable Length(m m/in)	Weight(g)	Color
W9017BD0100	I-PEX MHF4 or equivalent + SMA Female with Spring Washer	Φ0.81 MM Coaxial Cable, Black	116/4.57	100/3.94	3	Black
W9017BD0200			216/8.50	200/7.87	3.3	
W9017BD0250			266/10.47	250/9.84	3.5	

### ENVIRONMENTAL SPECIFICATIONS

Operating Temperature	-40 ~ 85° C
Storage Temperature	-40 ~ 85° C
RoHS Compliant	Yes

Issue: 1901

In the effort to improve our products, we reserve the right to make changes judged to be necessary.

CONFIDENTIAL AND PROPRIETARY INFORMATION

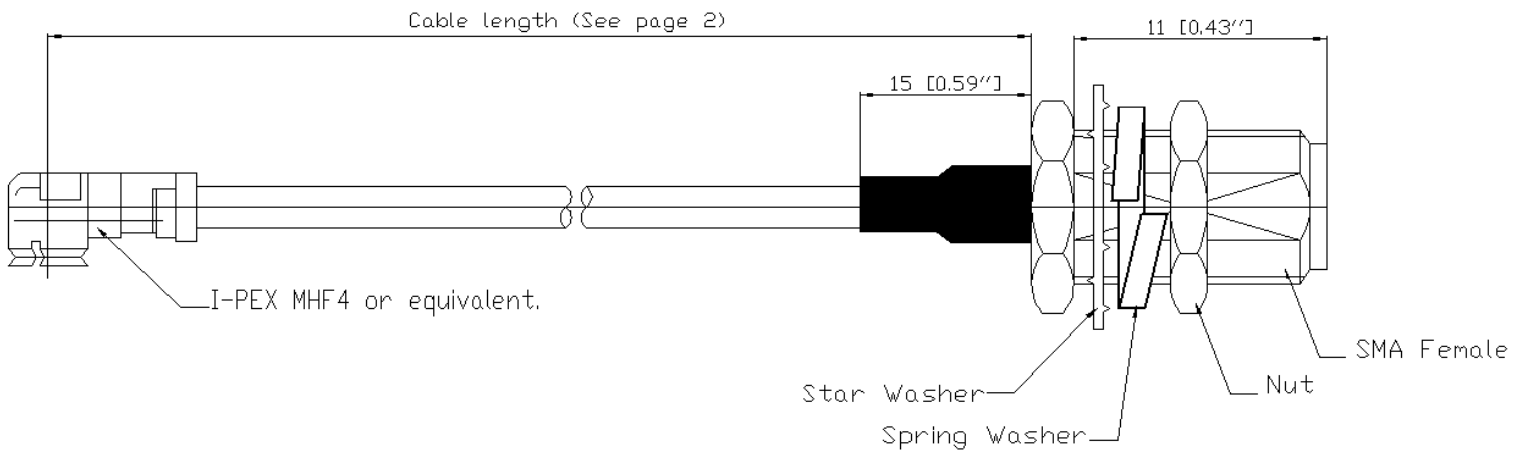
This document contains confidential and proprietary information of Pulse Electronics, Inc. (Pulse) and is protected by copyright, trade secret and other state and federal laws. Its receipt or possession does not convey any rights to reproduce, disclose its contents, or to manufacture, use or sell anything it may describe. Reproduction, disclosure or use without specific written authorization of Pulse is strictly forbidden.

Description: MHF4 - SMA Female Jumper Cable

Series: Cable Assembly

PART NUMBER:W9017BDXXXX

MECHANICAL DRAWING



Issue: 1901

In the effort to improve our products, we reserve the right to make changes judged to be necessary.

CONFIDENTIAL AND PROPRIETARY INFORMATION

This document contains confidential and proprietary information of Pulse Electronics, Inc. (Pulse) and is protected by copyright, trade secret and other state and federal laws. Its receipt or possession does not convey any rights to reproduce, disclose its contents, or to manufacture, use or sell anything it may describe. Reproduction, disclosure or use without specific written authorization of Pulse is strictly forbidden.

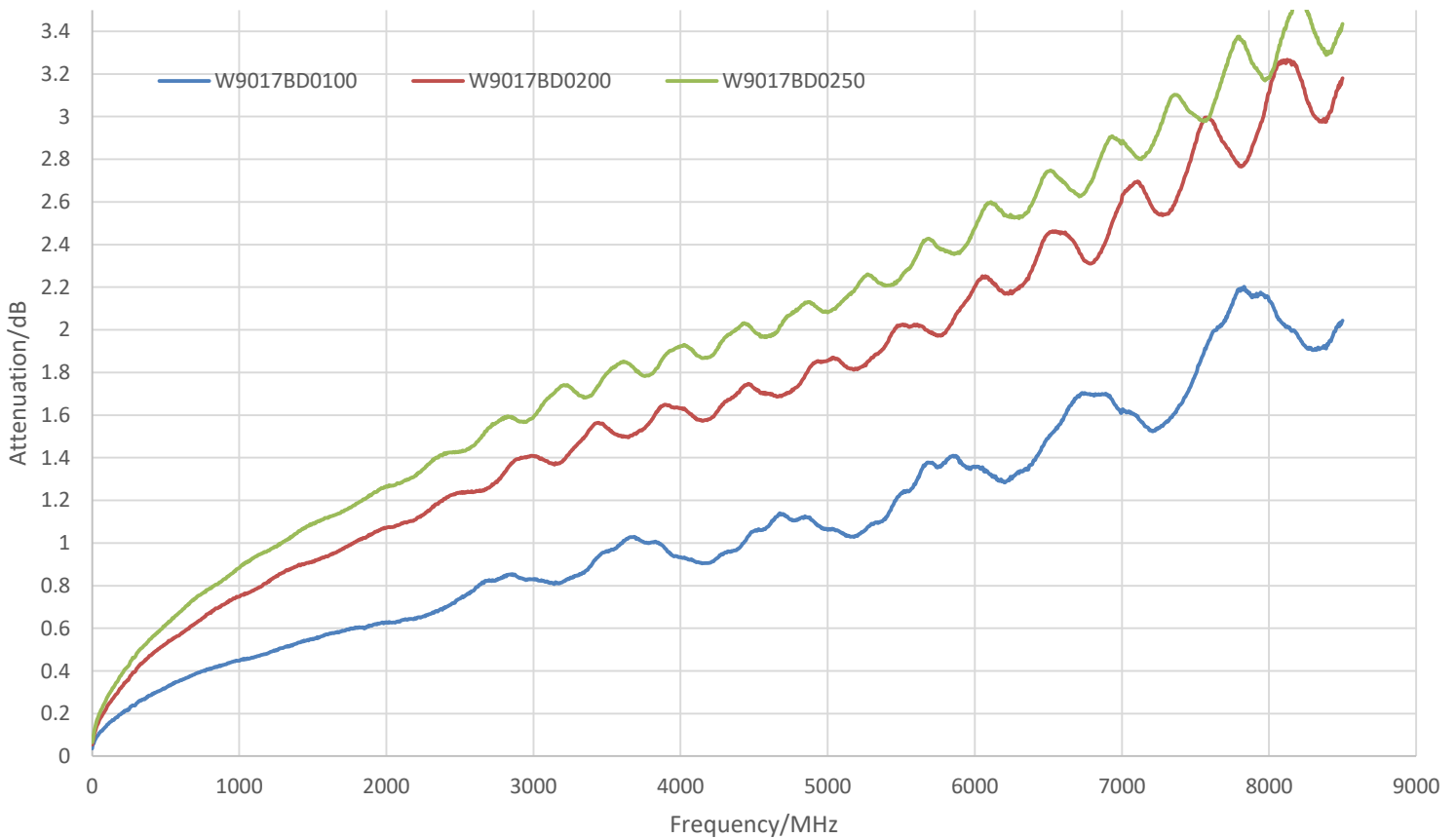
Description: MHF4 - SMA Female Jumper Cable

Series: Cable Assembly

PART NUMBER: W9017BDXXXX

## Attenuation vs Frequency

W9017/Attenuation



Issue: 1901

In the effort to improve our products, we reserve the right to make changes judged to be necessary.

CONFIDENTIAL AND PROPRIETARY INFORMATION

This document contains confidential and proprietary information of Pulse Electronics, Inc. (Pulse) and is protected by copyright, trade secret and other state and federal laws. Its receipt or possession does not convey any rights to reproduce, disclose its contents, or to manufacture, use or sell anything it may describe. Reproduction, disclosure or use without specific written authorization of Pulse is strictly forbidden.

Description: MHF4 - SMA Female Jumper Cable

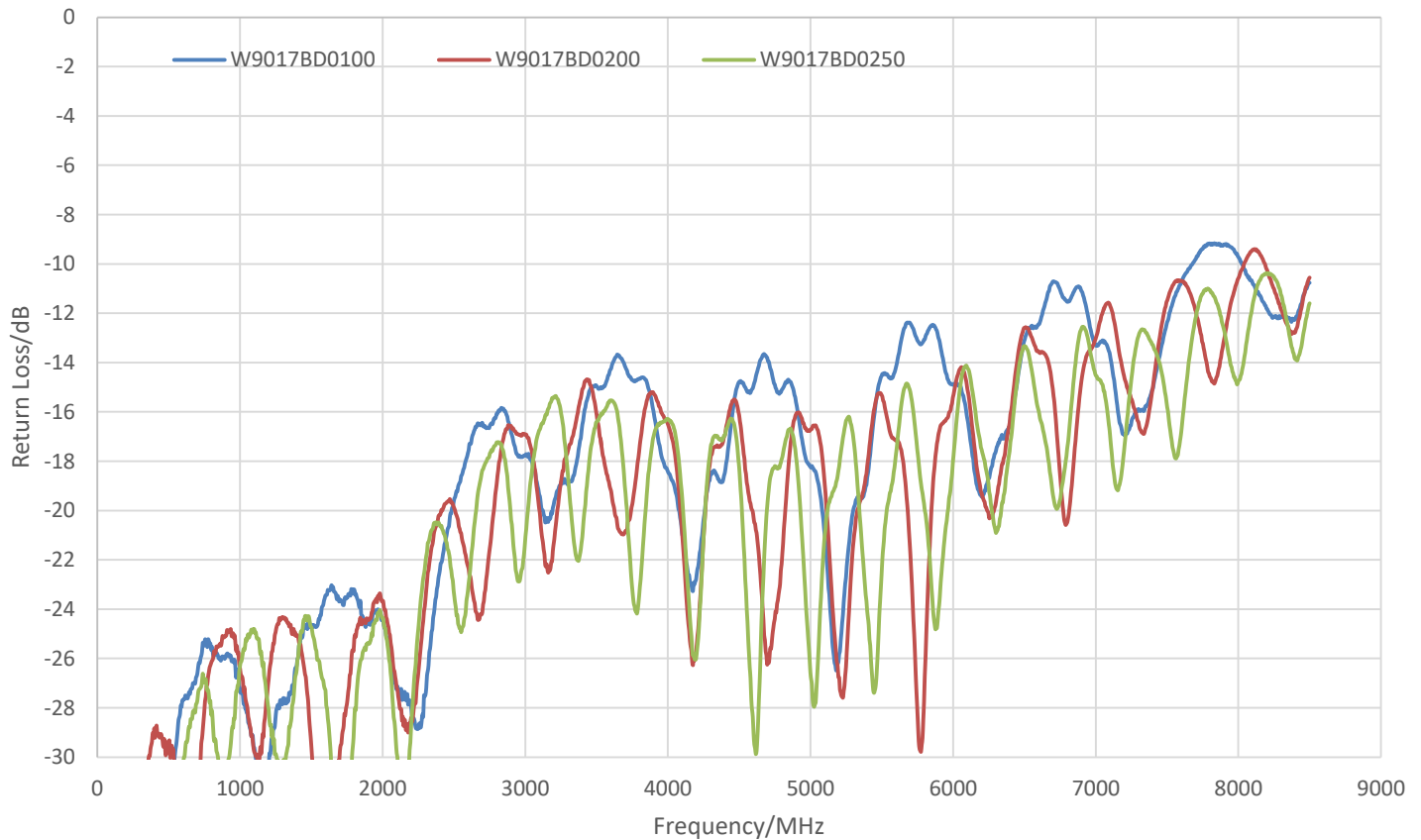
Series: Cable Assembly

PART NUMBER: W9017BDXXXX

CHARTS

Return Loss of Port-SMA Female vs Frequency

W9017/Port-SMA



Issue: 1901

In the effort to improve our products, we reserve the right to make changes judged to be necessary.

CONFIDENTIAL AND PROPRIETARY INFORMATION

This document contains confidential and proprietary information of Pulse Electronics, Inc. (Pulse) and is protected by copyright, trade secret and other state and federal laws. Its receipt or possession does not convey any rights to reproduce, disclose its contents, or to manufacture, use or sell anything it may describe. Reproduction, disclosure or use without specific written authorization of Pulse is strictly forbidden.

Downloaded From [Oneyac.com](http://Oneyac.com)



Description: MHF4 - SMA Female Jumper Cable

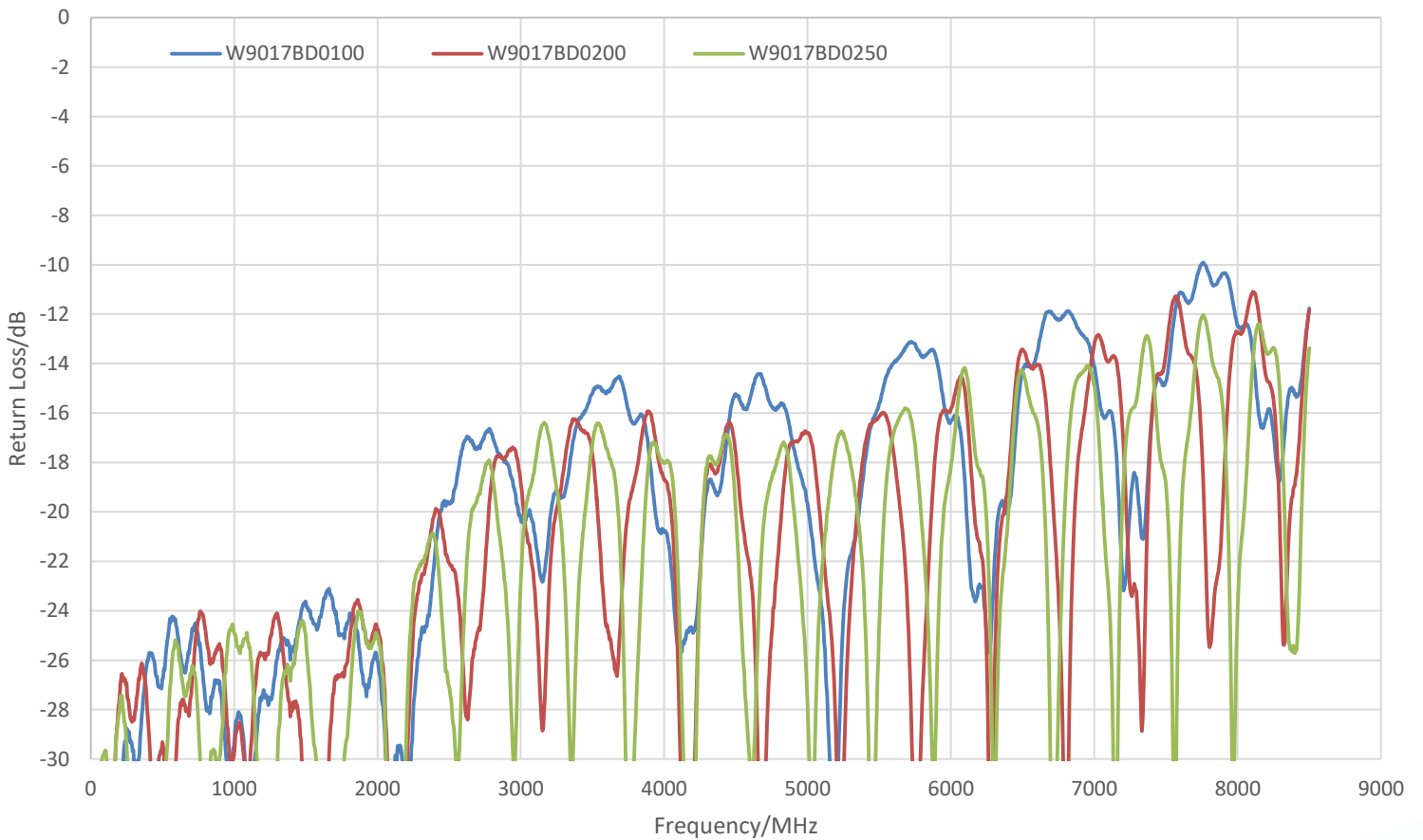
Series: Cable Assembly

PART NUMBER:W9017BDXXXX

CHARTS

Return Loss of Port-MHF4 vs Frequency

W9017/Port-MHF4



Issue: 1901

In the effort to improve our products, we reserve the right to make changes judged to be necessary.

CONFIDENTIAL AND PROPRIETARY INFORMATION

This document contains confidential and proprietary information of Pulse Electronics, Inc. (Pulse) and is protected by copyright, trade secret and other state and federal laws. Its receipt or possession does not convey any rights to reproduce, disclose its contents, or to manufacture, use or sell anything it may describe. Reproduction, disclosure or use without specific written authorization of Pulse is strictly forbidden.

**Description:** MHF4 - SMA Female Jumper Cable

**Series:** Cable Assembly

**PART NUMBER:** W9017BDXXXX

## PACKAGING

**Quantity:** 20 PCS / Column PE bag, 2000 pcs / Box



Issue: 1901

In the effort to improve our products, we reserve the right to make changes judged to be necessary.

CONFIDENTIAL AND PROPRIETARY INFORMATION

This document contains confidential and proprietary information of Pulse Electronics, Inc. (Pulse) and is protected by copyright, trade secret and other state and federal laws. Its receipt or possession does not convey any rights to reproduce, disclose its contents, or to manufacture, use or sell anything it may describe. Reproduction, disclosure or use without specific written authorization of Pulse is strictly forbidden.

Downloaded From [Oneyac.com](http://Oneyac.com)



Description: MHF4 - SMA Female Jumper Cable

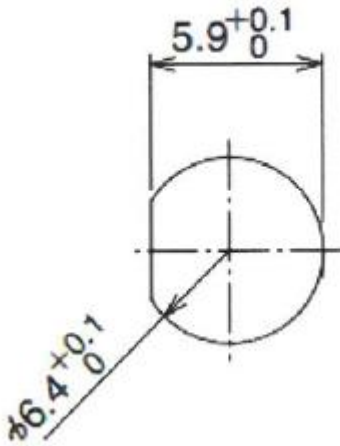
Series: Cable Assembly

PART NUMBER:W9017BDXXXX

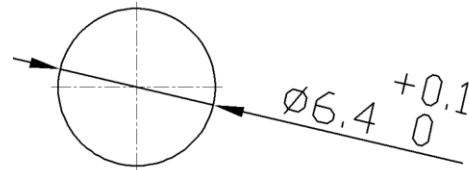
**ASSEMBLY**

The SMA male connector fits through the assembly hole, the hole size is below.  
SMA connector thread length: 11mm / 0.43in

● **Panel cut-out**



**Option 1**



**Option 2**



单击下面可查看定价，库存，交付和生命周期等信息

[>>Pulse\(普思\)](#)