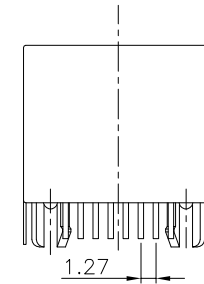
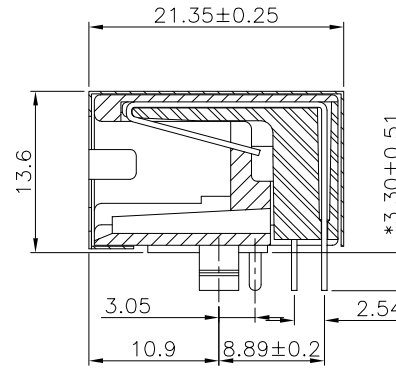
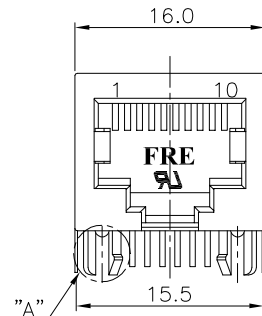


PC Board Layout T=1.6mm
Component Side Shown Tolerance±0.05mm



NOTES:

ELECTRICAL:

1. VOLTAGE RATING : 125 VAC RMS.
2. CURRENT RATING : 1.5 AMP.
3. CONTACT RESISTANCE : 35 MILLIOHMS MAX.
4. INSULATION RESISTANCE: 1000 MEGOHMS MIN @ 500 VDC.
5. DIELECTRIC STRENGTH : 1000 VAC RMS 60HZ, 1MIN.

MECHANICAL:

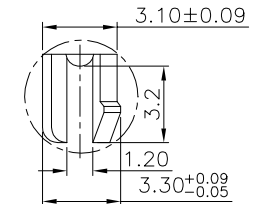
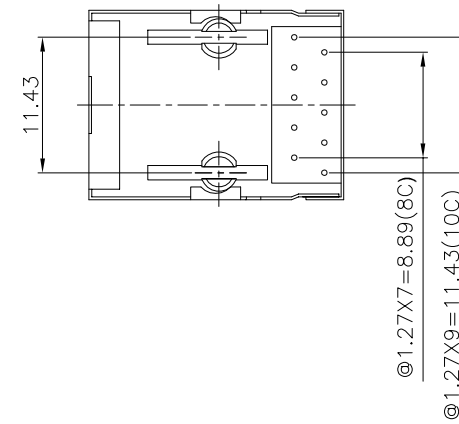
1. HOUSING MATERIAL : GLASS FILLED NYLON UL94V-0 COLOR-BLACK.
- INSERT MATERIAL : GLASS FILLED NYLON UL94V-0 COLOR-BLACK.
2. CONTACT MATERIAL : PHOSPHOR BRONZE ϕ 0.46mm.
3. PLATING : GOLD PLATING OVER NICKEL.
4. OPERATING LIFE : 750 CYCLES MIN.
5. PCB RETENTION PRE-SOLDER : 1 LB MIN.
6. PCB RETENTION POST-SOLDER : 10 LBS MIN.
7. SHIELD PLATING : NICKEL PLATING OVER BRASS .

ENVIRONMENTAL:

1. STORAGE TEMPERATURE : -40°C TO +85°C.
2. OPERATION TEMPERATURE : -40°C TO +85°C.
3. WAVE SOLDERING TEMPERATURE :255~265°C (5~10 SECONDS)
4. RoHS COMPLIANT.

MATES WITH MODULAR PLUG CONFORMING TO
FCC PART 68, SUBPART F.
CUL FILE NO. E163191

PART NUMBER	CONTACT	GOLD PLATING
E5901-1507Q2-L	10	6u"
E5908-1507Q2-L	8	6u"
E5908-1507Q3-L	8	15u"



DETAIL "A"
SCALE 2:1

DETACHED LISTS	MM (INCH)	RoHS Compliant		TITLE 20.57 PCB JACK 10P		
	TOLERANCES EXCEPT AS NOTED					
	MM					±
	.0 ± 0.2	±				
	.00 ± 0.15	±				
	.000 ± 0.075	±				
	ANGLES ± 0.5					
		THIRD ANGLE PROJECTION		DFTO Cathy	DRAWING NO. CE593024-LA	
		DATE 2006/09/20	/PART NO. SEE TABLE	SIZE A3	REV 0	
		SCALE : 2.5:1	DO NOT SCALE DRAWING	SHEET 1	OF 1	

8

7

6

5

4

3

2

1

单击下面可查看定价，库存，交付和生命周期等信息

[>>Pulse\(普思\)](#)