

Description: 698-960/1710-2170/2300-2700 MHz

Series: Direct Mount LPT Style  
Antenna

PART NUMBER: LPT698/2700DMN



### Features:

- Frequency 698-2700MHz
- Height 77.2 mm
- Size dia. 40.9mm
- Gain 2.1 / 3.1 / 4.4 dBi
- Omnidirectional Hor plane
- N-Female connector
- IP67
- Direct mount

### Applications:

- 4G LTE
- Vehicular use
- Transportation
- Utility boxes

All dimensions are in mm / inches

Issue: 1923

In the effort to improve our products, we reserve the right to make changes judged to be necessary.

CONFIDENTIAL AND PROPRIETARY INFORMATION

This document contains confidential and proprietary information of Pulse Electronics, Inc. (Pulse) and is protected by copyright, trade secret and other state and federal laws. Its receipt or possession does not convey any rights to reproduce, disclose its contents, or to manufacture, use or sell anything it may describe. Reproduction, disclosure or use without specific written authorization of Pulse is strictly forbidden.

For more information:

Pulse Worldwide Headquarters  
15255 Innovation Drive #100  
San Diego, CA 92128  
USA  
Tel: 1-858-674-8100

Pulse/Larsen Antennas  
18110 SE 34<sup>th</sup> St Bldg 2 Suite 250  
Vancouver, WA 98683  
USA  
Tel: 1-360-944-7551

Europe Headquarters  
Pulse GmbH & Do, KG  
Zeppelinstrasse 15  
Herrenberg, Germany

Pulse (Suzhou) Wireless Products Co, Inc.  
99 Huo Ju Road(#29 Bldg,4<sup>th</sup> Phase  
Suzhou New District  
Jiangsu Province, Suzhou 215009 PR China  
Tel: 86 512 6807 9998

**Description: 698-960/1710-2170/2300-2700 MHz**

**Series: Direct Mount LPT Style Antenna**

**PART NUMBER: LPT698/2700DMN**

**ELECTRICAL SPECIFICATIONS**

Antenna type	Monopole (All electrical performance measured with antenna centered on 12" x 12" Ground plane)
Frequency	698-960/1710-2170/2300-2700 MHz
Nominal Impedance	50 Ω
VSWR (698-960)	2.5:1 Max
VSWR (1710-2700)	2:1 Max
Peak Gain (698-960)	3.1 dBi
Peak Gain (1710-2170)	4.4 dBi
Peak Gain (2300-2700)	5.0 dBi
Avg Gain @30° EL (698-960)	1.4 dBi
Avg Gain @30° EL (1710-2170)	3.2 dBi
Avg Gain @30° EL (2300-2700)	3.7 dBi
Efficiency (698-960/1710-2170/2300-2700)	75 % Min
Polarization:	Vertical
HPBW Horizontal Plane @ 0° EL	360 °
HPBW Vertical Plane (698-960)	66 ° Avg
HPBW Vertical Plane (1710-2170)	48 ° Avg
HPBW Vertical Plane (2300-2700)	43 ° Avg
Power withstanding	10 W
Connector type	N-Female
Mounting	Direct mount

Issue: 1923

In the effort to improve our products, we reserve the right to make changes judged to be necessary.

CONFIDENTIAL AND PROPRIETARY INFORMATION

This document contains confidential and proprietary information of Pulse Electronics, Inc. (Pulse) and is protected by copyright, trade secret and other state and federal laws. Its receipt or possession does not convey any rights to reproduce, disclose its contents, or to manufacture, use or sell anything it may describe. Reproduction, disclosure or use without specific written authorization of Pulse is strictly forbidden.

**Description: 698-960/1710-2170/2300-2700 MHz**

**Series: Direct Mount LPT Style  
Antenna**

**PART NUMBER: LPT698/2700DMN**

### MECHANICAL SPECIFICATIONS

Plastic radome	UL746C Material	.110 thick min
Flammability	UL94 V-0	
Color	Black	
Ingress Protection	IP67	
Weight	120	g
Wind-loading	125	Mph
Overall length	3.04	INCHES

### ENVIRONMENTAL SPECIFICATIONS

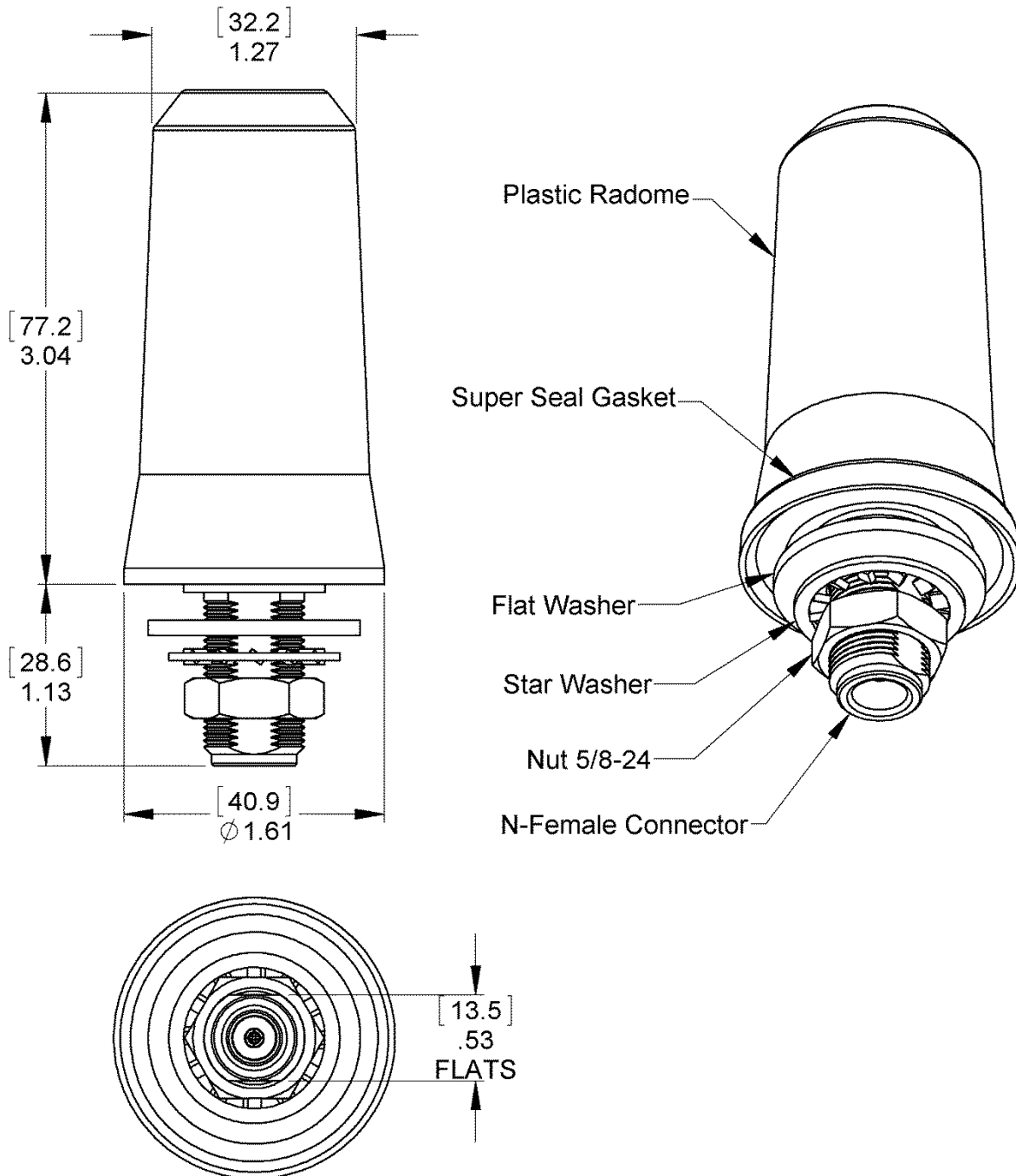
Operating Temperature	-40 ~ +85° C
Storage Temperature	-40 ~ +85° C
Ingress Protection	IP67
RoHS Compliant	Yes

Description: 698-960/1710-2170/2300-2700 MHz

Series: Direct Mount LPT Style  
Antenna

PART NUMBER: LPT698/2700DMN

MECHANICAL DRAWING



Issue: 1923

In the effort to improve our products, we reserve the right to make changes judged to be necessary.

CONFIDENTIAL AND PROPRIETARY INFORMATION

This document contains confidential and proprietary information of Pulse Electronics, Inc. (Pulse) and is protected by copyright, trade secret and other state and federal laws. Its receipt or possession does not convey any rights to reproduce, disclose its contents, or to manufacture, use or sell anything it may describe. Reproduction, disclosure or use without specific written authorization of Pulse is strictly forbidden.

Description: 698-960/1710-2170/2300-2700 MHz

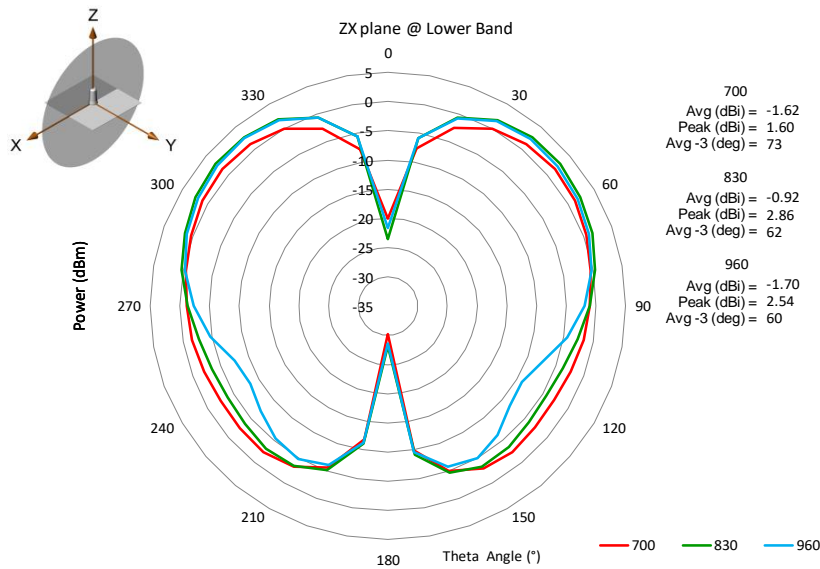
Series: Direct Mount LPT Style  
Antenna

PART NUMBER: LPT698/2700DMN

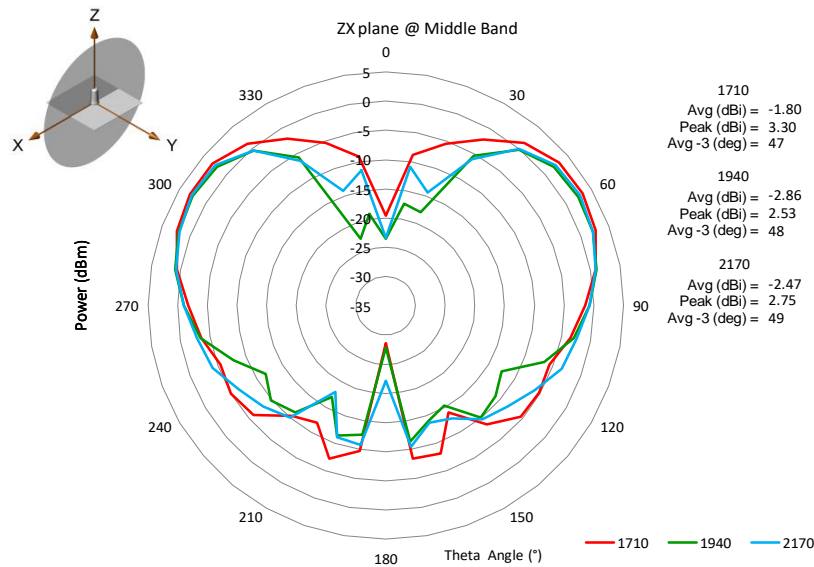
CHARTS

Charts - All radiation patterns, gain, VSWR measured with Antenna mounted on center of 12" x 12" Ground plane

Vertical Plane



Vertical Plane



Issue: 1923

In the effort to improve our products, we reserve the right to make changes judged to be necessary.

CONFIDENTIAL AND PROPRIETARY INFORMATION

This document contains confidential and proprietary information of Pulse Electronics, Inc. (Pulse) and is protected by copyright, trade secret and other state and federal laws. Its receipt or possession does not convey any rights to reproduce, disclose its contents, or to manufacture, use or sell anything it may describe. Reproduction, disclosure or use without specific written authorization of Pulse is strictly forbidden.

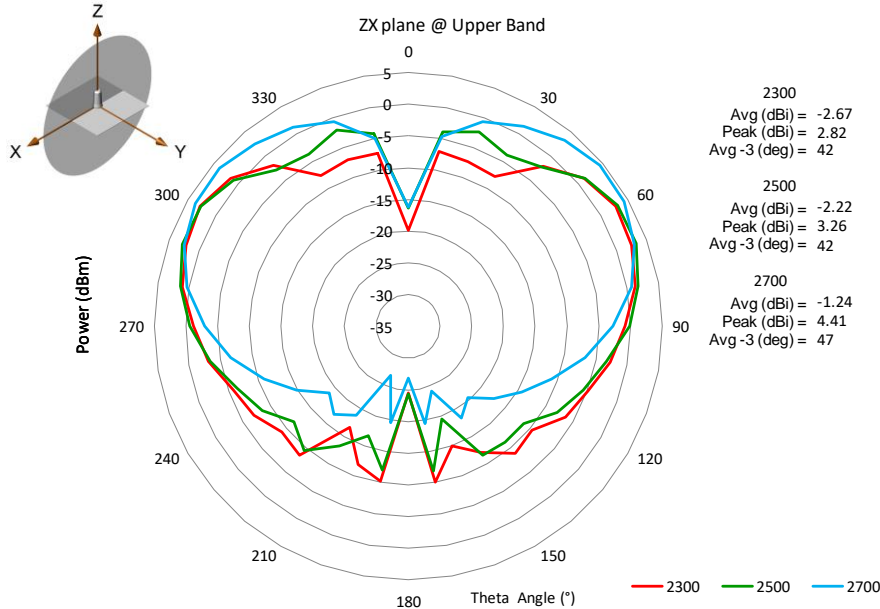
Description: 698-960/1710-2170/2300-2700 MHz

Series: Direct Mount LPT Style  
Antenna

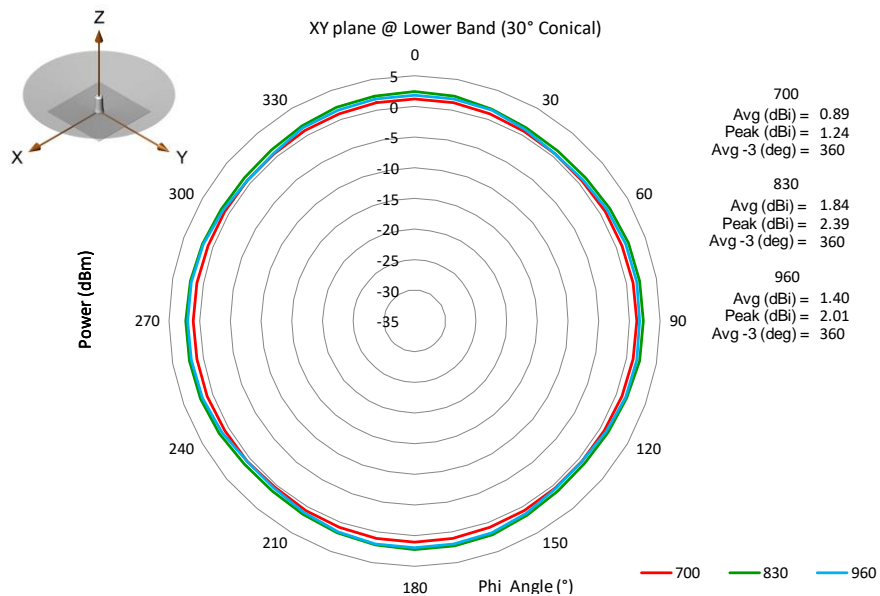
PART NUMBER: LPT698/2700DMN

CHARTS

Vertical Plane



Horizontal Plane



Issue: 1923

In the effort to improve our products, we reserve the right to make changes judged to be necessary.

CONFIDENTIAL AND PROPRIETARY INFORMATION

This document contains confidential and proprietary information of Pulse Electronics, Inc. (Pulse) and is protected by copyright, trade secret and other state and federal laws. Its receipt or possession does not convey any rights to reproduce, disclose its contents, or to manufacture, use or sell anything it may describe. Reproduction, disclosure or use without specific written authorization of Pulse is strictly forbidden.

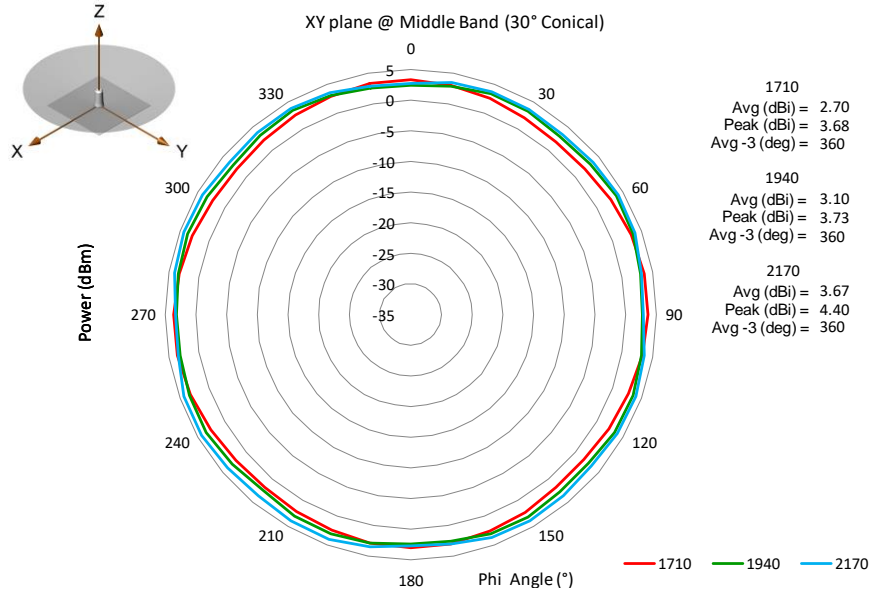
Description: 698-960/1710-2170/2300-2700 MHz

Series: Direct Mount LPT Style  
Antenna

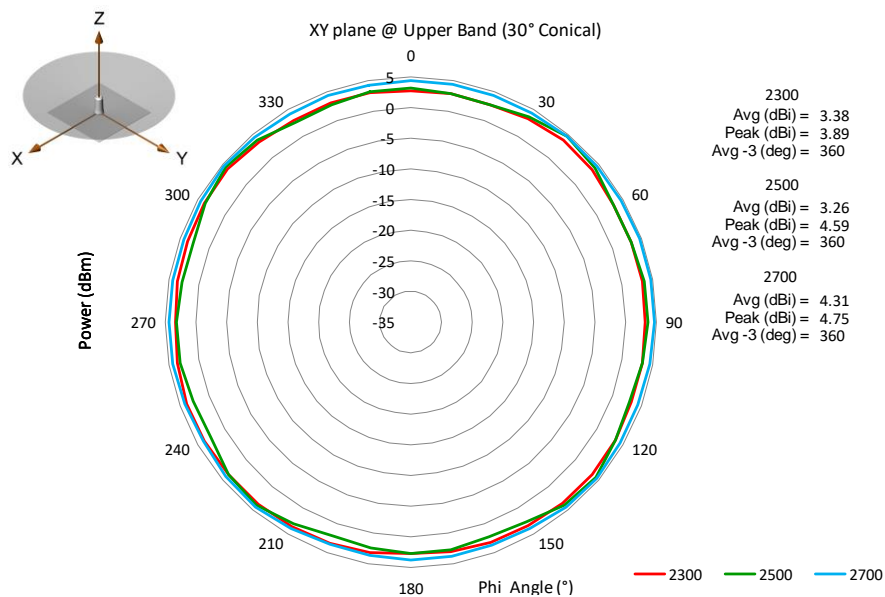
PART NUMBER: LPT698/2700DMN

CHARTS

Horizontal Plane



Horizontal plane



Issue: 1923

In the effort to improve our products, we reserve the right to make changes judged to be necessary.

CONFIDENTIAL AND PROPRIETARY INFORMATION

This document contains confidential and proprietary information of Pulse Electronics, Inc. (Pulse) and is protected by copyright, trade secret and other state and federal laws. Its receipt or possession does not convey any rights to reproduce, disclose its contents, or to manufacture, use or sell anything it may describe. Reproduction, disclosure or use without specific written authorization of Pulse is strictly forbidden.

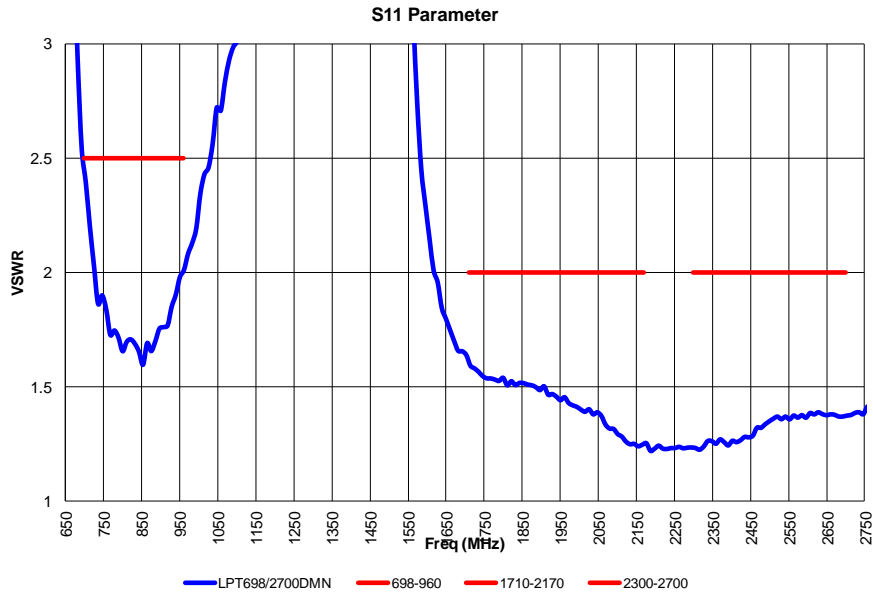
Description: 698-960/1710-2170/2300-2700 MHz

Series: Direct Mount LPT Style  
Antenna

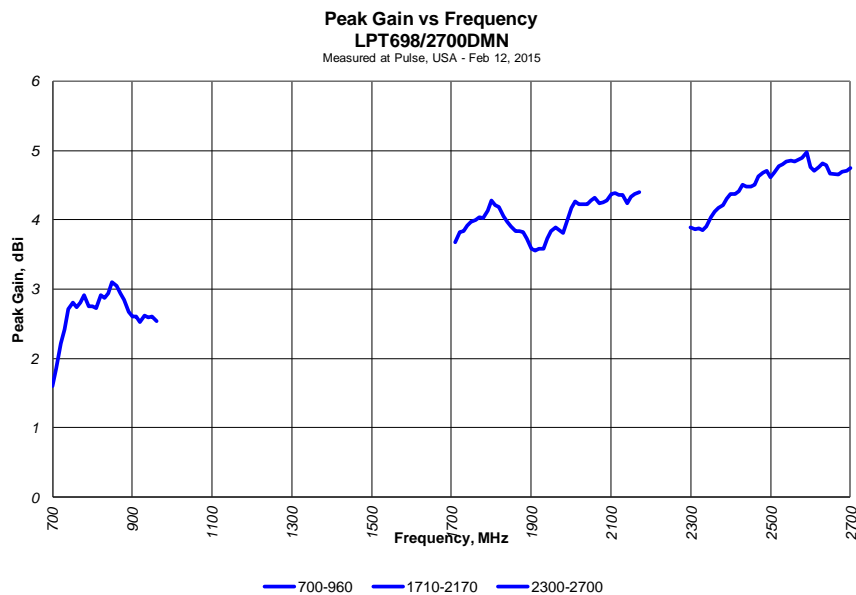
PART NUMBER: LPT698/2700DMN

CHARTS

VSWR



Peak Gain



Issue: 1923

In the effort to improve our products, we reserve the right to make changes judged to be necessary.

CONFIDENTIAL AND PROPRIETARY INFORMATION

This document contains confidential and proprietary information of Pulse Electronics, Inc. (Pulse) and is protected by copyright, trade secret and other state and federal laws. Its receipt or possession does not convey any rights to reproduce, disclose its contents, or to manufacture, use or sell anything it may describe. Reproduction, disclosure or use without specific written authorization of Pulse is strictly forbidden.



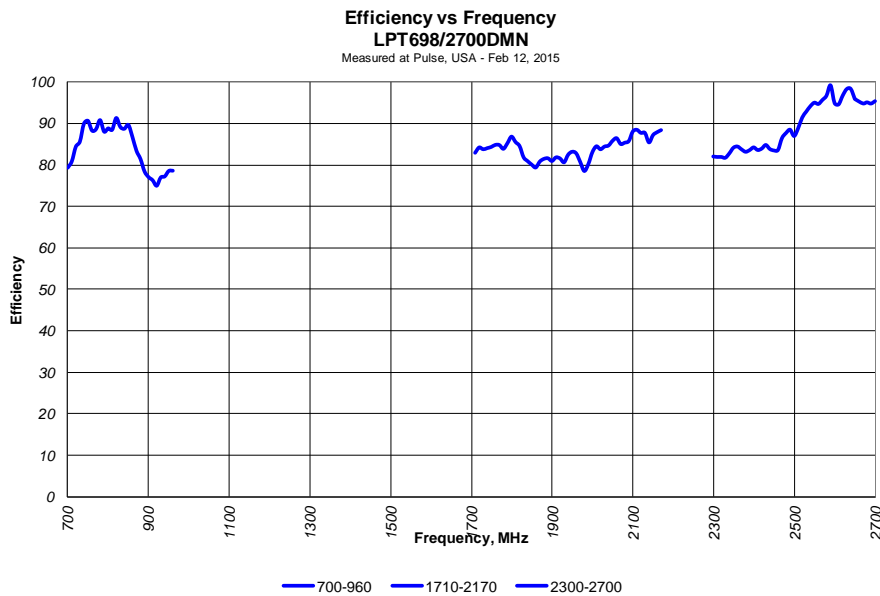
Description: 698-960/1710-2170/2300-2700 MHz

Series: Direct Mount LPT Style  
 Antenna

PART NUMBER: LPT698/2700DMN

CHARTS

Efficiency



Issue: 1923

In the effort to improve our products, we reserve the right to make changes judged to be necessary.

CONFIDENTIAL AND PROPRIETARY INFORMATION

This document contains confidential and proprietary information of Pulse Electronics, Inc. (Pulse) and is protected by copyright, trade secret and other state and federal laws. Its receipt or possession does not convey any rights to reproduce, disclose its contents, or to manufacture, use or sell anything it may describe. Reproduction, disclosure or use without specific written authorization of Pulse is strictly forbidden.

Description: 698-960/1710-2170/2300-2700 MHz

Series: Direct Mount LPT Style  
Antenna

PART NUMBER: LPT698/2700DMN

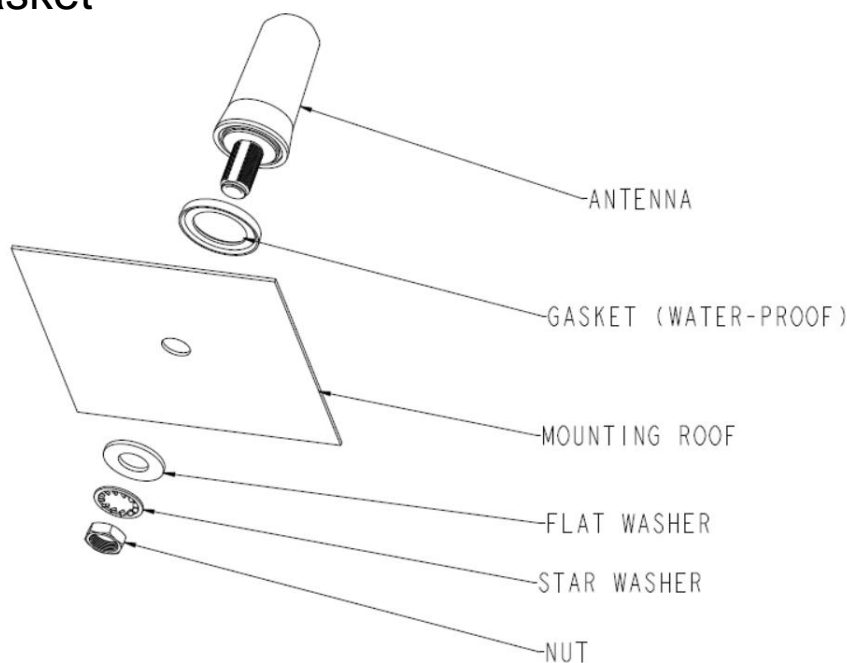
## PACKAGING

- 1 antenna packed in a plastic bag
- 1 label on each product with part number
- 48pcs pre box
- Gasket and O-Ring packed in a plastic bag for alternative seals.

## ASSEMBLY

Direct mounting, 15.9mm (0.625") hole required. The mounting roof thickness should be less than 5mm (0.2"). There are two options to make the antenna water-proof when assembling.

### Option 1: Gasket



Issue: 1923

In the effort to improve our products, we reserve the right to make changes judged to be necessary.

CONFIDENTIAL AND PROPRIETARY INFORMATION

This document contains confidential and proprietary information of Pulse Electronics, Inc. (Pulse) and is protected by copyright, trade secret and other state and federal laws. Its receipt or possession does not convey any rights to reproduce, disclose its contents, or to manufacture, use or sell anything it may describe. Reproduction, disclosure or use without specific written authorization of Pulse is strictly forbidden.

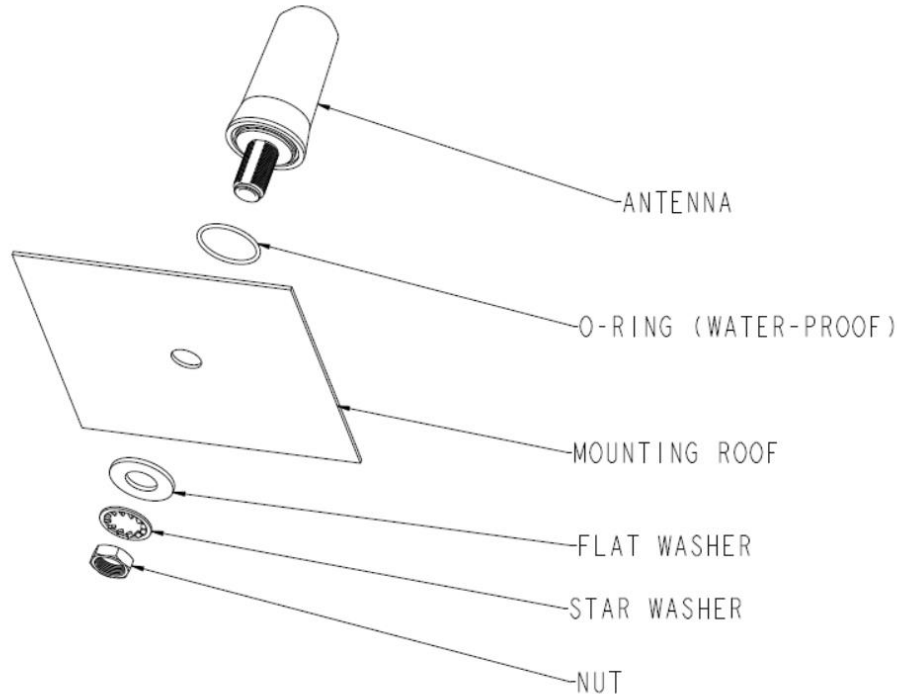
Downloaded From [Oneyac.com](http://Oneyac.com)

Description: 698-960/1710-2170/2300-2700 MHz

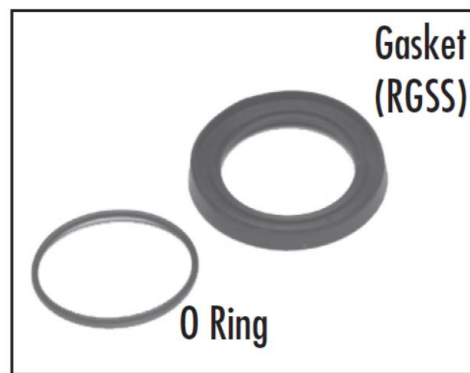
Series: Direct Mount LPT Style  
Antenna

PART NUMBER: LPT698/2700DMN

### Option 2: O-Ring



Note: Use one or other for mounting the antenna --- they cannot be used together. The RGSS is typically used for permanent mounts.



Issue: 1923

In the effort to improve our products, we reserve the right to make changes judged to be necessary.

CONFIDENTIAL AND PROPRIETARY INFORMATION

This document contains confidential and proprietary information of Pulse Electronics, Inc. (Pulse) and is protected by copyright, trade secret and other state and federal laws. Its receipt or possession does not convey any rights to reproduce, disclose its contents, or to manufacture, use or sell anything it may describe. Reproduction, disclosure or use without specific written authorization of Pulse is strictly forbidden.

单击下面可查看定价，库存，交付和生命周期等信息

[>>Pulse\(普思\)](#)