
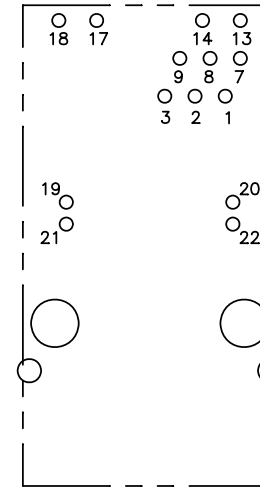


1.

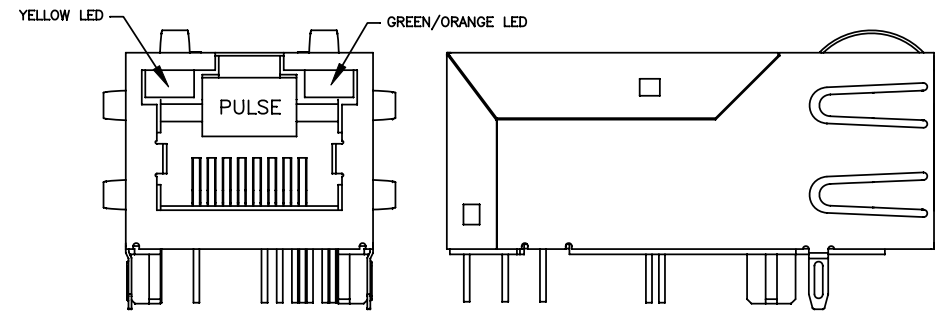
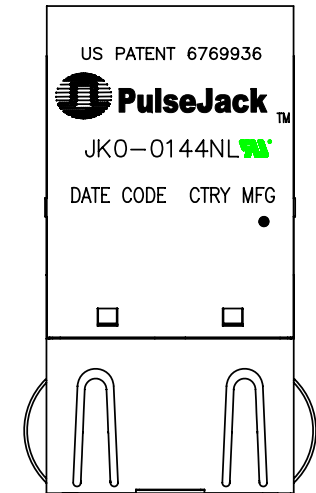
NOTICE:	THIS IS A RoHS COMPLIANT COMPONENT/PRODUCT. ALL ENGINEERING CHANGES MUST HAVE PRIOR APPROVAL BY THE DESIGN CENTER.
RoHS 	

NOTES: UNLESS OTHERWISE SPECIFIED

2. PLASTIC HOUSING: THERMOPLASTIC MATERIAL WITH FLAMMABILITY RATING UL 94V-0 OR BETTER.
3. CONTACT BASE MATERIAL: PHOSPHOR BRONZE.
4. CONTACTS UNDERPLATE: 20-40 MICROINCHES DUCTILE NICKEL.
5. CONTACTS PLATING: 15-50 MICRO-INCH GOLD PLATING.
6. SOLDER TAIL PLATING MATERIAL: 200-500 μINCHES 100% TIN, MATTE FINISH.
7. METAL SHIELD: NICKEL PLATING ON COPPER ALLOY.
8. JACK CAVITY CONFORMS TO FCC RULES AND REGULATIONS PART 68 SUBPART.
9. PCB PLATING: HASL (TOP PCB), ENIG (BOTTOM PCB)
10. SOLDERABILITY: CONFORMS TO ANSI/J-STD-002, IPC/EIA J-STD-003A.
11. OPERATING TEMPERATURE: 0°C TO +70°C
12. STORAGE TEMPERATURE: -20°C TO +125°C
13. JEDEC MOISTURE: LEVEL 1.
14. DIMENSIONS ARE IN INCHES [MILLIMETERS] WITH THE FOLLOWING TOLERANCES: [MILLIMETERS] ARE FOR REFERENCE ONLY.
.XX= ±.02 [±0.5]
.XXX= ±.010 [±0.25]
15. REVISION: MX1, MX2, ARE PRELIMINARY.

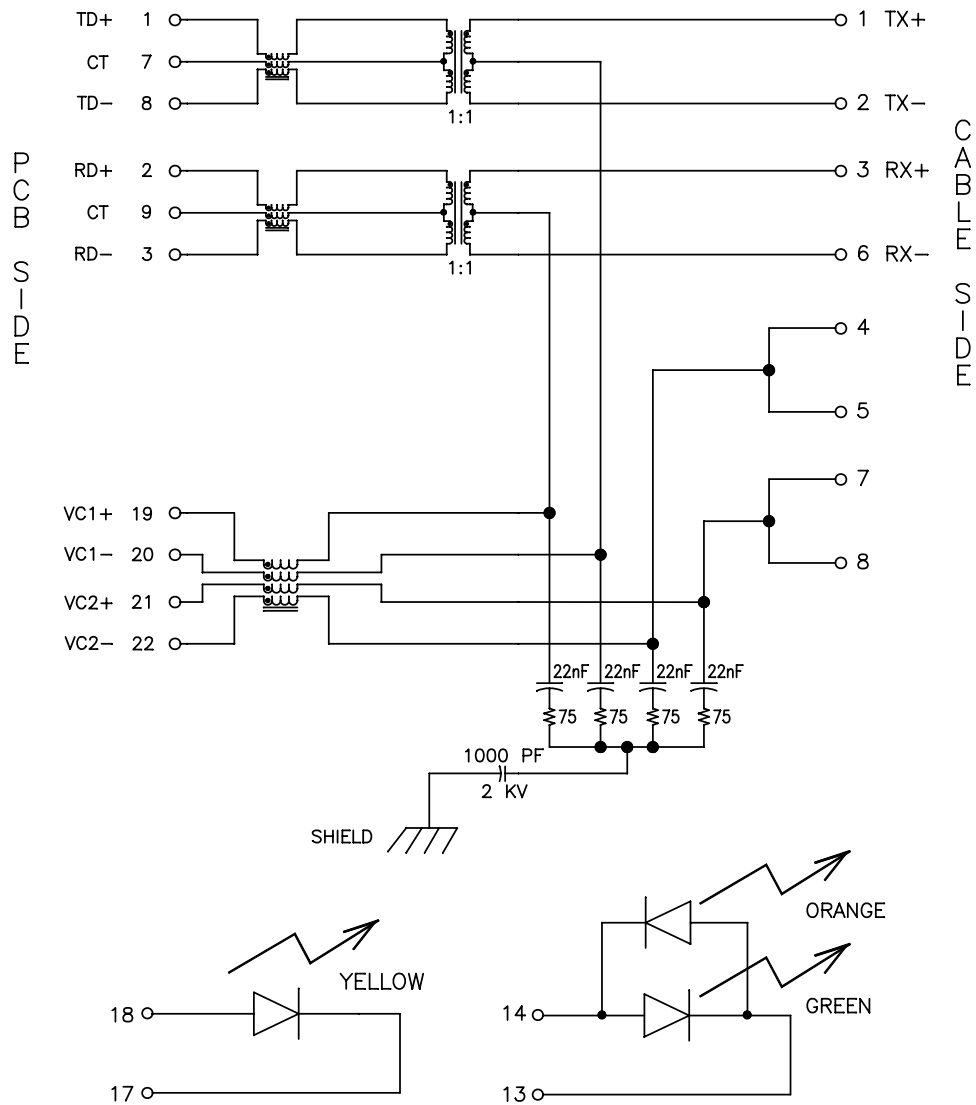


FRONT OF CONNECTOR
PCB PINOUT
COMPONENT SIDE SHOWN



FINAL OUTLINE

PULSE CONFIDENTIAL & PROPRIETARY	PRODUCT DESCRIPTION	PS DRAWING	SHEET:	DWG. NO./ PART NO.	REV.
	CONN, Downloaded From Onezac.com	PS-2390.003-B	1	JKO-0144NL	M10

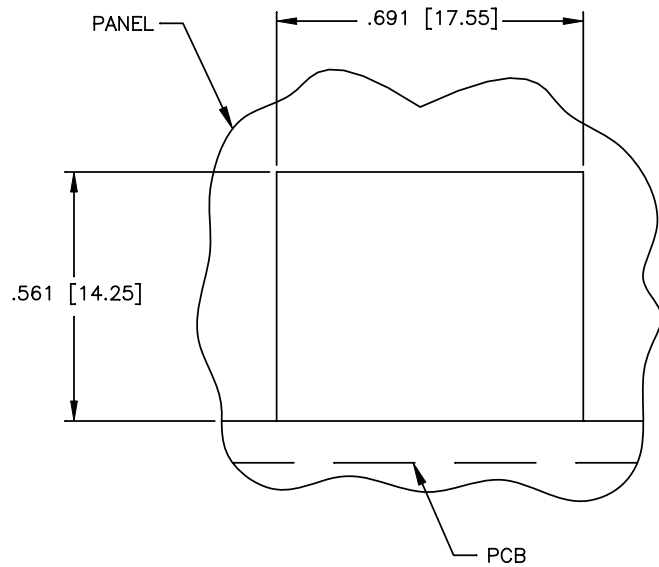


SCHEMATIC

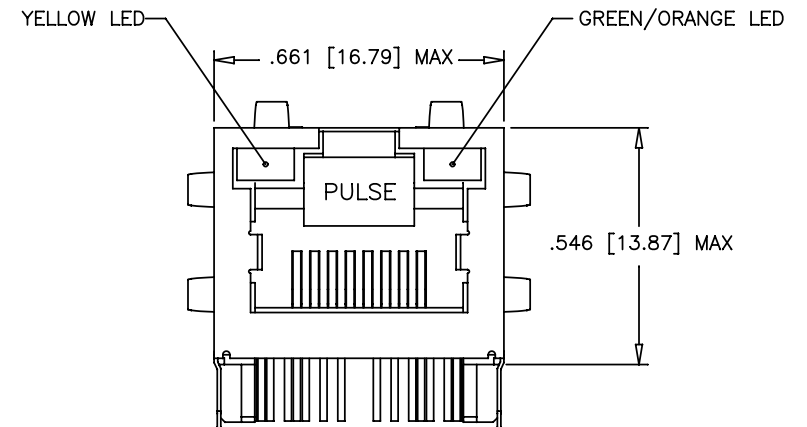
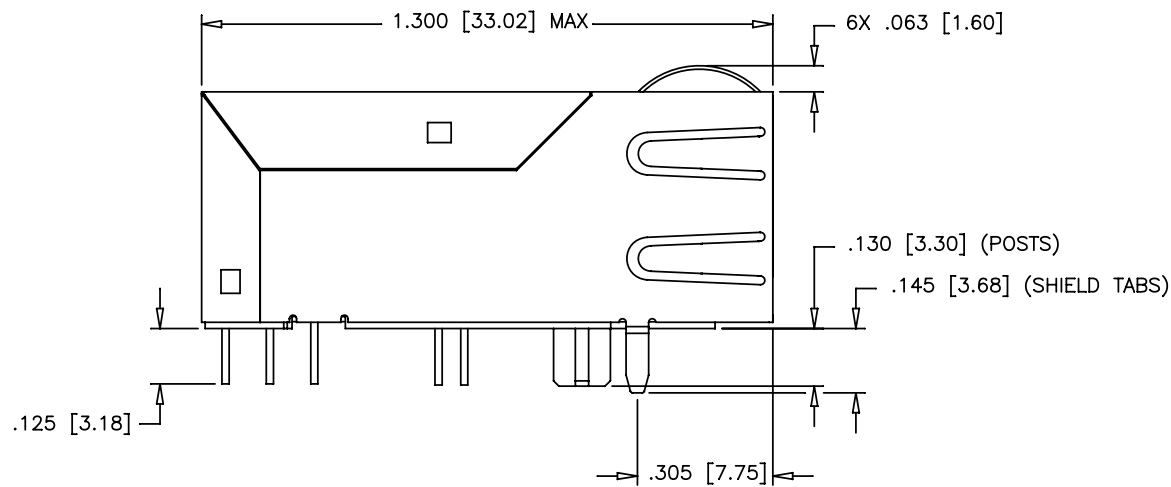
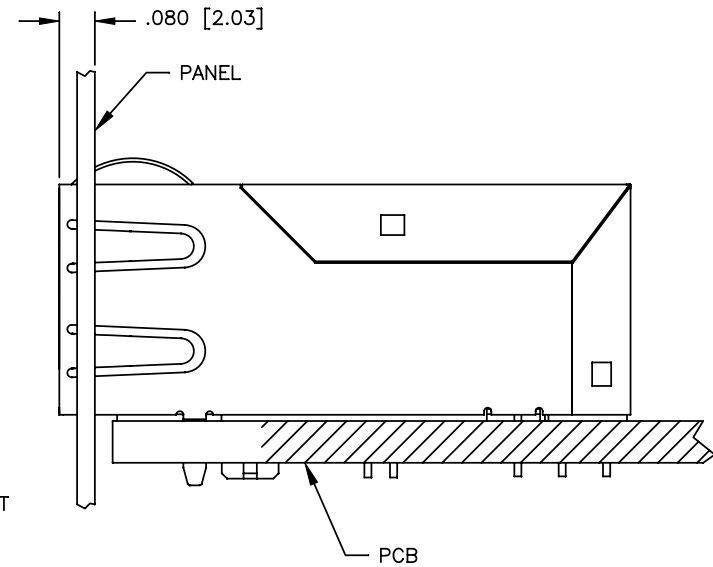
ELECTRICAL CHARACTERISTICS AT +25°C UNLESS OTHER SPECIFIED (FOR REFERENCE ONLY. USED FOR CUSTOMER INFORMATION.)

PARAMETER	SPECIFICATIONS		
	100 KHz	1-125 MHz	
INSERTION LOSS	-1.2 dB MAX	$-0.2 - 0.002 * f^{1.4}$ dB MAX	
RETURN LOSS ($Z_{out} = 100 \text{ OHM} \pm 15\%$)	.1-30 MHz	30-60 MHz	60-80 MHz
	-16 dB MIN	$-10 + 20 * \text{LOG}_{10}(f/60 \text{ MHz})$ dB MIN	-10 dB MIN
INDUCTANCE (OCL) (MEDIA SIDE, 0°C-70°C)	350 μ H MIN	(MEASURED AT 100 KHz, 100 mVRMS AND WITH 8 mA DC BIAS)	
CROSSTALK, ADJACENT CHANNELS	1 MHz	10-100 MHz	
	-50 dB MIN	$-55 + 22 * \text{LOG}_{10}(f/10)$ dB MIN	
COMMON MODE REJECTION RATIO	2 MHz	30-200 MHz	
	-50 dB MIN	$-15 + 20 * \text{LOG}_{10}(f/200)$ dB MIN	
DC RESISTANCE, 1/2 WINDING	.65 OHMS MAX		
DC RESISTANCE IMBALANCE	$\pm .065$ OHMS MAX (CENTER TAP SYMMETRY)		
DC CURRENT/VOLTAGE RATING - PSE PINS	350 mA, @ 57 V (CONTINUOUS)		
INPUT - OUTPUT ISOLATION	2250 VDC MIN @ 60 SECONDS		

NOTE: f IS FREQUENCY IN MHz.



SUGGESTED PANEL CUTOUT



© Copyright, 2010. Pulse Electronics Corp. All rights reserved. Drawing specifications subject to change without notice. (01/31/12)

PULSE CONFIDENTIAL
&
PROPRIETARY

PRODUCT DESCRIPTION

CONN, Downloaded From Oneyac.com

PS DRAWING

PS-2390.003-B

SHEET:

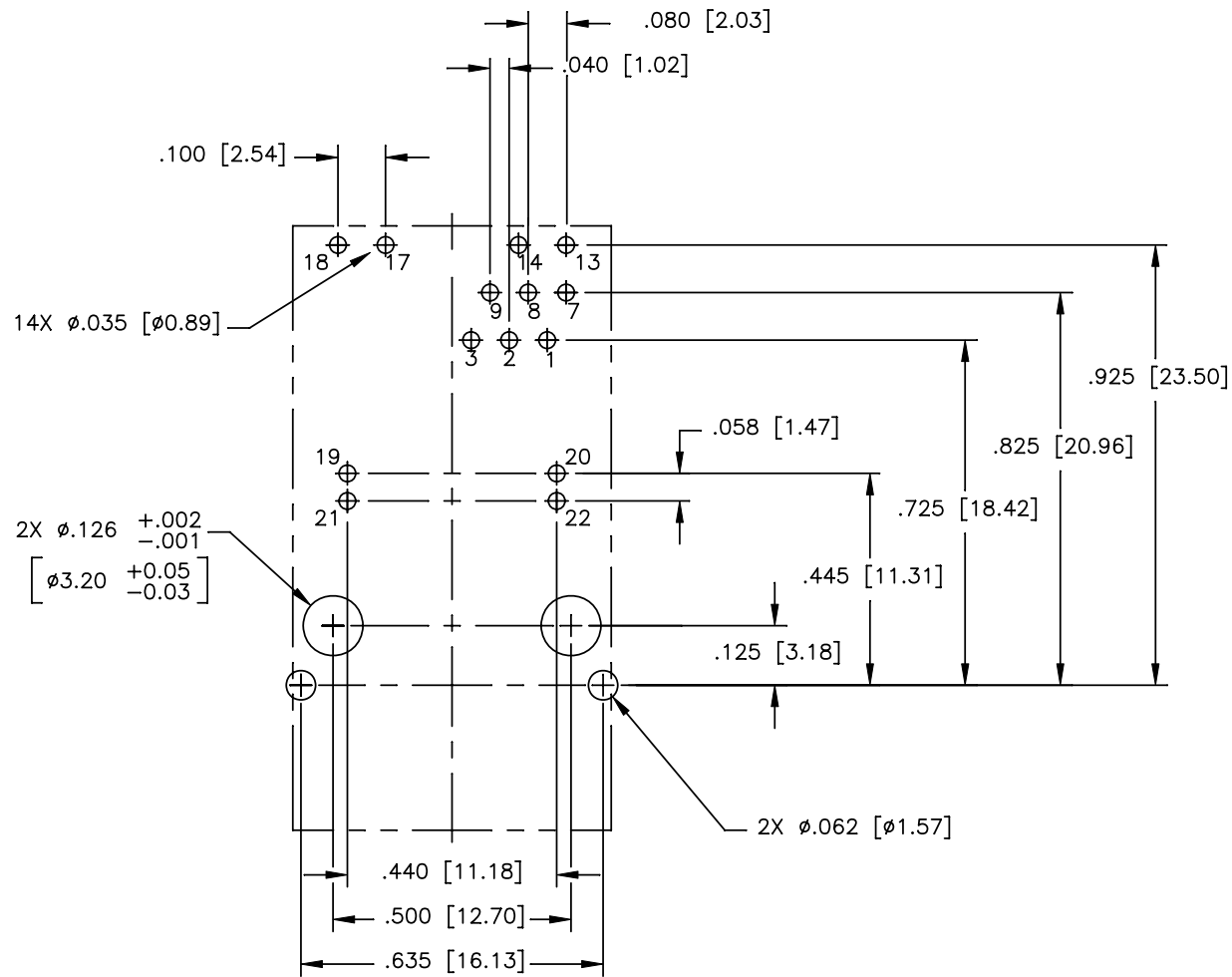
3

DWG. NO./ PART NO.

JK0-0144NL

REV.

M10



FRONT OF CONNECTOR
 SUGGESTED PCB LAYOUT
 (COMPONENT SIDE SHOWN)
 DIMENSIONAL TOLERANCE:
 .XXX ± 0.003 [X.XX ± 0.08]

© Copyright, 2010. Pulse Electronics Corp. All rights reserved. Drawing specifications subject to change without notice. (01/31/12)

单击下面可查看定价，库存，交付和生命周期等信息

[>>Pulse\(普思\)](#)