

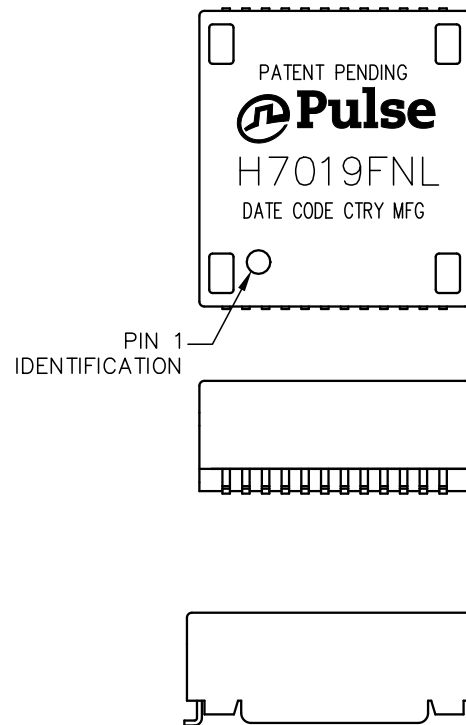


NOTES:

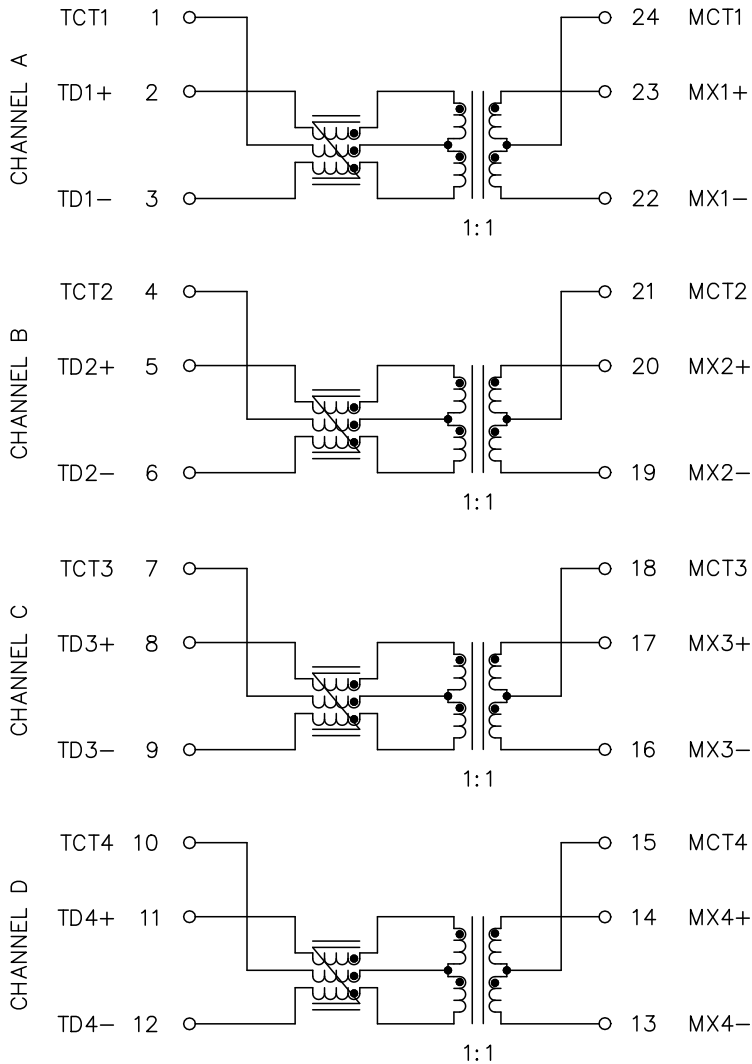
1. ROHS COMPLIANT
2. HEADER: THERMOSET PLASTIC MATERIAL WITH FLAMMABILITY RATING UL 94V-0 OR BETTER.
3. STORAGE TEMPERATURE: -20°C TO +125°C
4. COMPLIANCE TO J-STD:
 - A. J-STD-002: SOLDERABILITY AT 245°C REFLOW PROFILE
 - B. J-STD-020: LEVEL 1, NO MOISTURE SENSITIVE
 - C. J-STD-075: R7, 245°C MAXIMUM THROUGH REFLOW SOLDER
5. TO ORDER TAPE & REEL PACKAGING ADD A "T" SUFFIX TO THE PART NUMBER(i.e H7019FNL BECOMES H7019FNLT).

H7019FNL TUBE,SIZE: 35EA 2100/PER BOX

H7019FNLT TAPE AND REEL SIZE: 300EA 1800/PER BOX



PRODUCT DESCRIPTION	TLA DRAWING	PS DRAWING	SHEET	PART NO.	DATASHEET REV.
MDL,SIN,10G,1:1,SM,TU	H7019FNL 1E	PS-2746.001-A	1 OF 4	H7019FNL	A



SCHEMATIC

ELECTRICAL CHARACTERISTICS AT +25°C UNLESS OTHER SPECIFIED
(FOR REFERENCE ONLY. USED FOR CUSTOMER INFORMATION.)

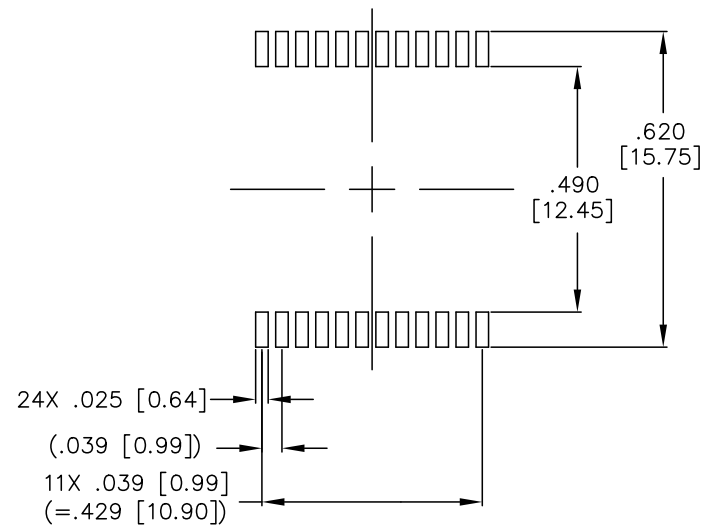
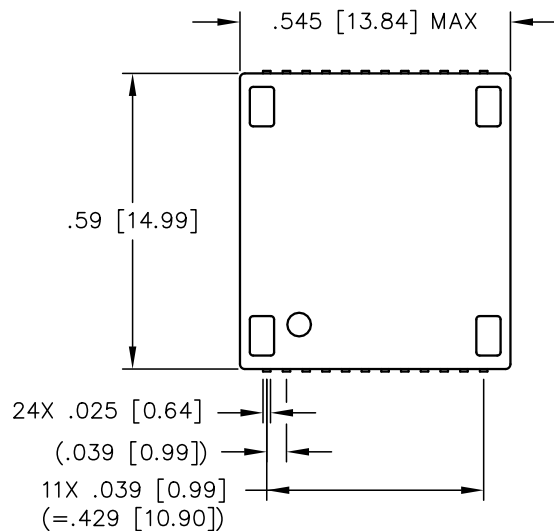
PARAMETER	SPECIFICATIONS		
OPERATING TEMP	0°C TO +70°C		
TURNS RATIO	1.00 ± 2%		
POLARITY	PER SCHEMATIC		
INSERTION LOSS	100 KHz	1-500 MHz	
	-3.0 dB MAX	-1.0 dB MAX (-.6 dB TYP)	
PHY-SIDE RETURN LOSS (Z OUT = 100 OHM ± 1%)	1MHz	2 MHz-100 MHz	100 MHz-200 MHz
	-22 dB MIN	-25 dB MIN	$-25 + 3 * (\frac{f - 100}{100})$ dB MIN
	200 MHz-400 MHz		400 MHz-500 MHz
	$-22 + 11 * (\frac{f - 200}{200})$ dB MIN	$-11 + 3 * (\frac{f - 400}{100})$ dB MIN	
INDUCTANCE (OCL)	100 uH MIN @ 100 kHz, 100 mV		
CROSSTALK, ADJACENT CHANNELS	1-100 MHz	100-500 MHz	
	-40 dB MIN	-30 dB MIN	
COMMON MODE REJECTION RATIO	1-100 MHz	100-300 MHz	300-500 MHz
	-35 dB MIN	-30 dB MIN	-25 dB MIN
	1-250 MHz		250-500 MHz
COMMON TO DIFFERENTIAL MODE REJECTION (CDMR)	-30 dB MIN		-22 dB MIN
	INPUT - OUTPUT ISOLATION		
	1500 VRMS MIN @ 60 SECONDS		

NOTE: f IS FREQUENCY IN MHz.

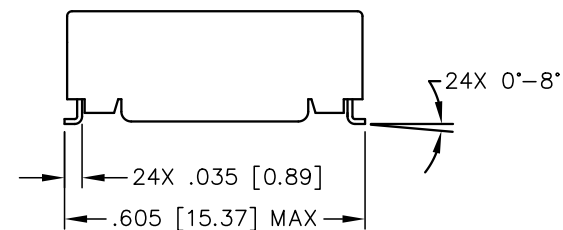
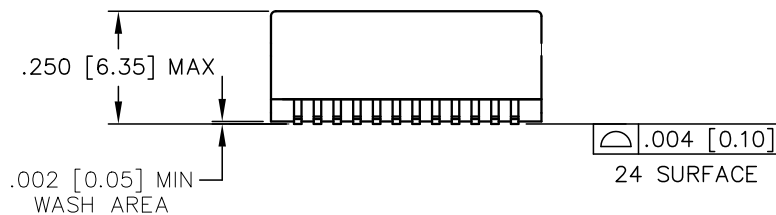
© Copyright, 2020. Pulse Electronics Corp. All rights reserved. Pulse confidential & proprietary. (03/19/20)

PRODUCT DESCRIPTION	TLA DRAWING	PS DRAWING	SHEET	PART NO.	DATASHEET REV.
MDL,SIN,10G,1:1,SM,TU	H7019FNL 1E	PS-2746.001-A	2 OF 4	H7019FNL	A

Downloaded From Oneyac.com



SUGGESTED LAND PATTERN



DIMENSIONS ARE IN INCHES [MILLIMETERS] WITH THE FOLLOWING TOLERANCES: [MILLIMETERS] ARE FOR REFERENCE ONLY.
.XX= ±.02 [±0.50]
.XXX= ±.010 [±0.25]

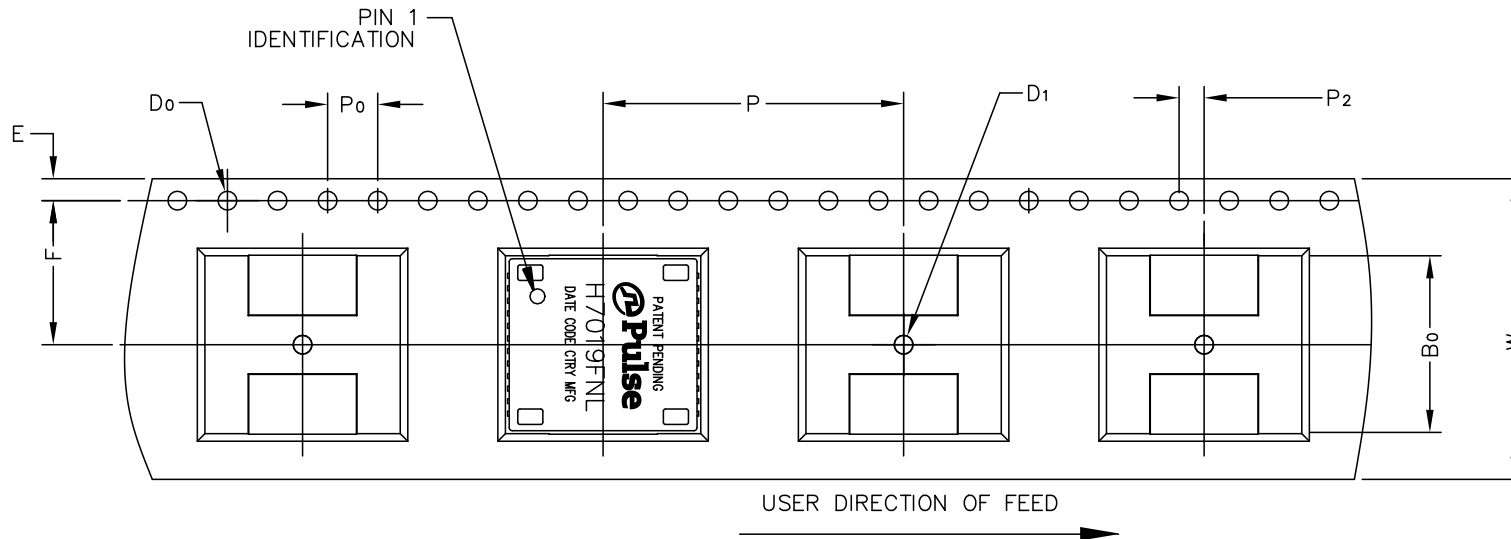
© Copyright, 2020. Pulse Electronics Corp. All rights reserved. Pulse confidential & proprietary. (03/19/20)

PRODUCT DESCRIPTION	TLA DRAWING	PS DRAWING	SHEET	PART NO.	DATASHEET REV.
MDL,SIN,10G,1:1,SM,TU	H7019FNL 1E	PS-2746.001-A	3 OF 4	H7019FNL	A

Downloaded From Oneyac.com

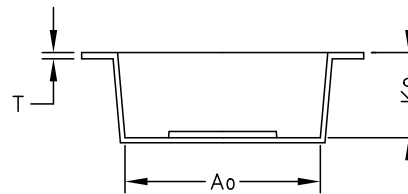


NOTE: PACK 300 PIECES PER REEL



USER DIRECTION OF FEED
→

ITEM	W	A0	B0	K0	K1	P	F	E	D0	D1	P0	P2	T
DIM	24.00 ^{+0.30}	15.6 ^{+0.10}	14.2 ^{+0.10}	6.80 ^{+0.10}	24.0 ^{+0.10}	11.50 ^{+0.10}	1.75 ^{+0.10}	1.50 ^{+0.10}	1.50 ^{+0.10}	4.00 ^{+0.10}	2.00 ^{+0.10}	0.40 ^{+0.05}	



ALL DIMENSIONS ARE IN MM, UNLESS OTHERWISE SPECIFIED,
ALL RADII MUST BE R0.2~0.3 MM.
TOLERANCES ARE ±0.10

© Copyright, 2020. Pulse Electronics Corp. All rights reserved. Pulse confidential & proprietary. (03/19/20)

PRODUCT DESCRIPTION
MDL,SIN,10G,1:1,SM,TU

TLA DRAWING
H7019FNL 1F

PS DRAWING
PS-2746.001-A

SHEET
4 OF 4

PART NO.
H7019FNL

DATASHEET REV.
A

Downloaded From Oneyac.com

单击下面可查看定价，库存，交付和生命周期等信息

[>>Pulse\(普思\)](#)