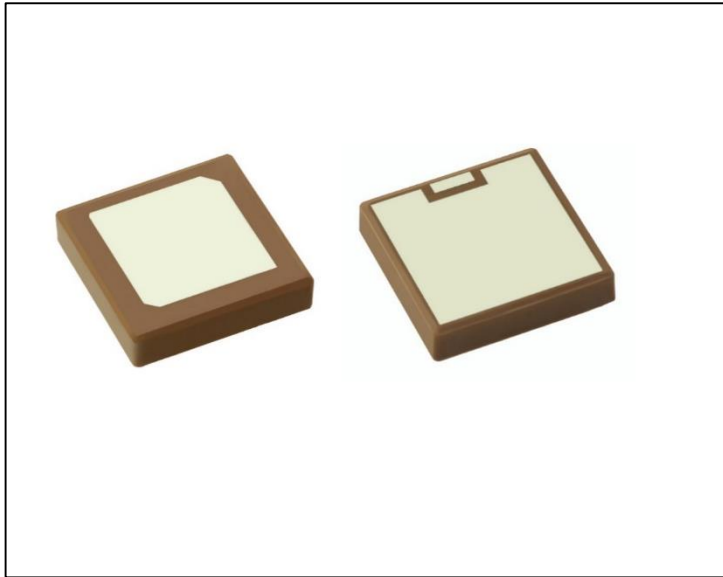


Description: 18x18x4mm GPS/Glonass SMD Mount

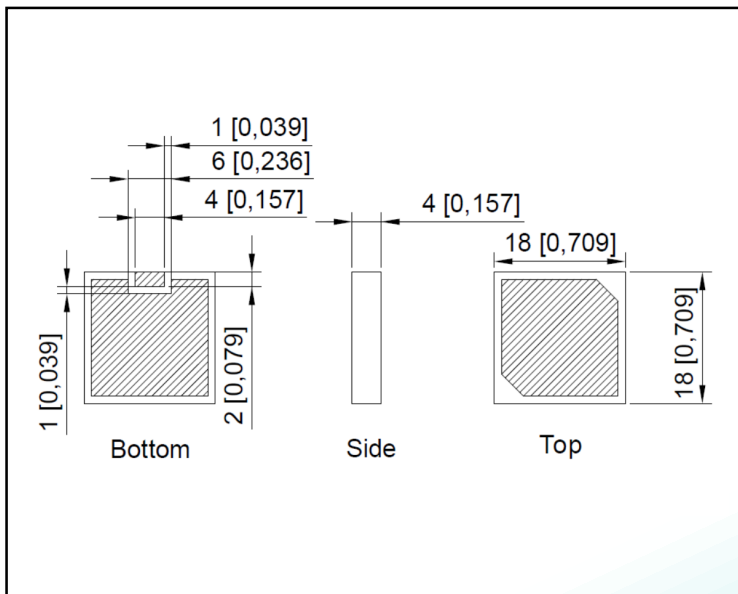
Series: Ceramic Patch

PART NUMBER: W3224



Features:

- 1575/1602MHz Dualband single feed antenna
- RHCP Polarization
- Zenith Gain +3dBiC
- SMD compatible
- Tape & Reel packing
- Moisture Sensitive Level: MSL-1



Applications:

- GPS and Glonass satellite receivers
- Tracking, Navigation, Satellite Positioning
- Fleet management
- Asset tracking

All dimensions are in mm / inches

Issue: 2047

In the effort to improve our products, we reserve the right to make changes judged to be necessary.

CONFIDENTIAL AND PROPRIETARY INFORMATION

This document contains confidential and proprietary information of Pulse Electronics, Inc. (Pulse) and is protected by copyright, trade secret and other state and federal laws. Its receipt or possession does not convey any rights to reproduce, disclose its contents, or to manufacture, use or sell anything it may describe. Reproduction, disclosure or use without specific written authorization of Pulse is strictly forbidden.

For more information:

Pulse Worldwide Headquarters
12220 World Trade Drive
San Diego, CA 92128
USA
Tel: 1-858-674-8100

Pulse/Larsen Antennas
18110 SE 34th St Bldg 2 Suite 250
Vancouver, WA 98683
USA
Tel: 1-360-944-7551

Europe Headquarters
Pulse GmbH & Do, KG
Zeppelinstrasse 15
Herrenberg, Germany

Pulse (Suzhou) Wireless Products Co, Inc.
99 Huo Ju Road(#29 Bldg,4th Phase
Suzhou New District
Jiangsu Province, Suzhou 215009 PR China
Tel: 86 512 6807 9998



Description: 18x18x4mm GPS/Glonass SMD Mount**Series:** Ceramic Patch**PART NUMBER:** W3224**ELECTRICAL SPECIFICATIONS**

Frequency	1575.42±1.023/1602.5625±4 MHz
Nominal Impedance	50 Ω
Return Loss*	<-10 dB
RHCP Gain (typical)*	2/2.5 dBiC
Zenith Axial Ratio(typical)*	9.5
Polarization:	RHCP

* Measured on 70 x 70 mm reference board

Description: 18x18x4mm GPS/Glonass SMD Mount**Series:** Ceramic Patch**PART NUMBER:** W3224**MECHANICAL SPECIFICATIONS**

Material	Ceramic
Metallization	Silver
Size	18 x 18 x 4 mm
Weight	6.1 g
Mounting type	SMD

ENVIRONMENTAL SPECIFICATIONS

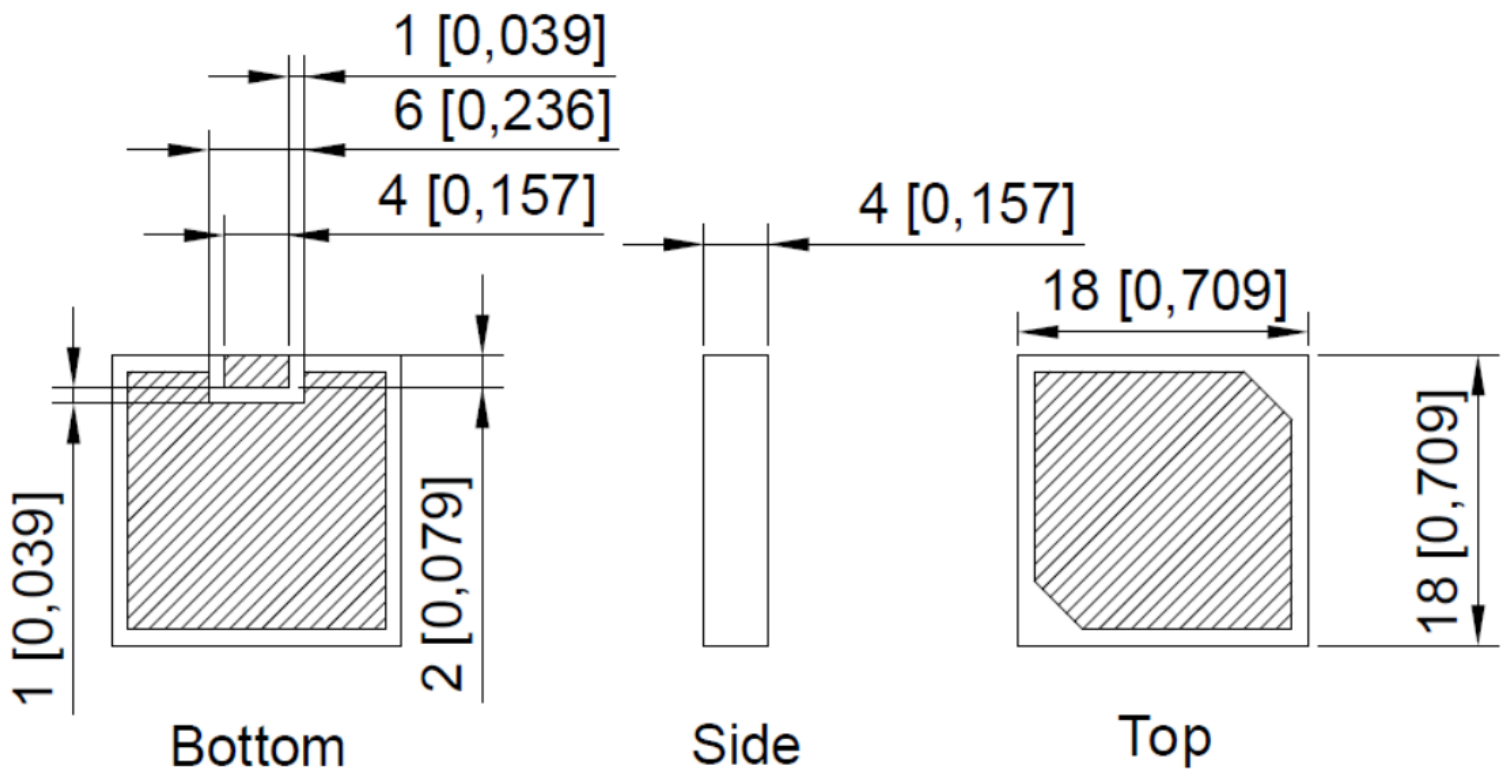
Operating temperature	-40 / + 95 ° C
-----------------------	----------------

Description: 18x18x4mm GPS/Glonass SMD Mount

Series: Ceramic Patch

PART NUMBER: W3224

MECHANICAL DRAWING



Issue: 2047

In the effort to improve our products, we reserve the right to make changes judged to be necessary.

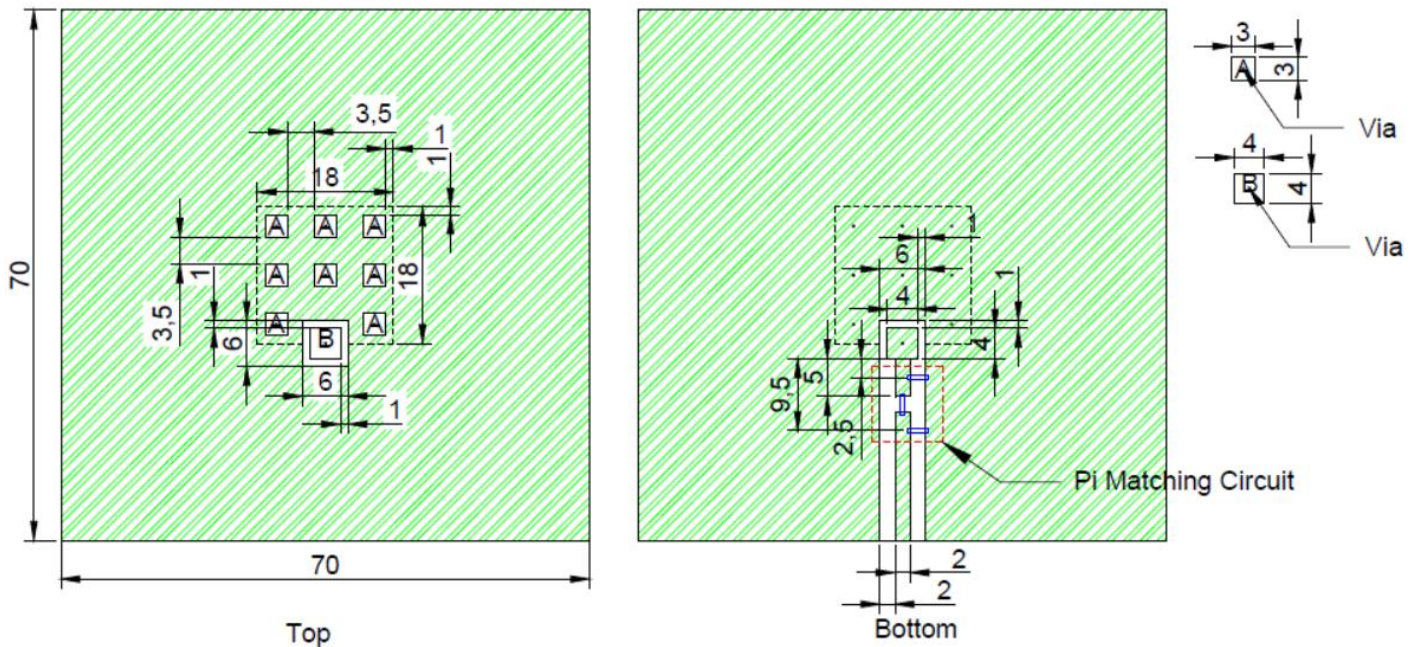
CONFIDENTIAL AND PROPRIETARY INFORMATION

This document contains confidential and proprietary information of Pulse Electronics, Inc. (Pulse) and is protected by copyright, trade secret and other state and federal laws. Its receipt or possession does not convey any rights to reproduce, disclose its contents, or to manufacture, use or sell anything it may describe. Reproduction, disclosure or use without specific written authorization of Pulse is strictly forbidden.

Downloaded From Oneyac.com

OTHER SPECIFICATIONS

Test Condition Ground Plane (Example for PCB 1 mm)



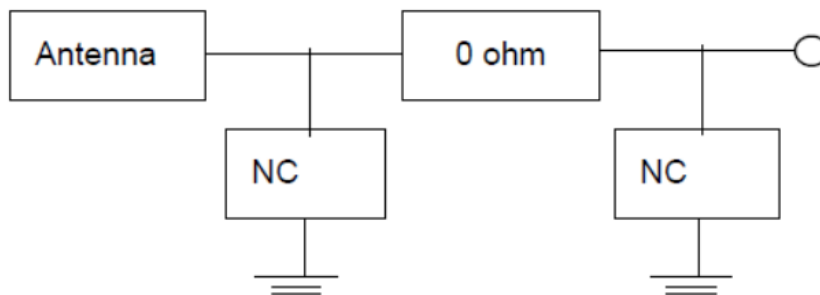
Unit : mm

A, B are Solder Pads

Bottom side needs π matching circuit.

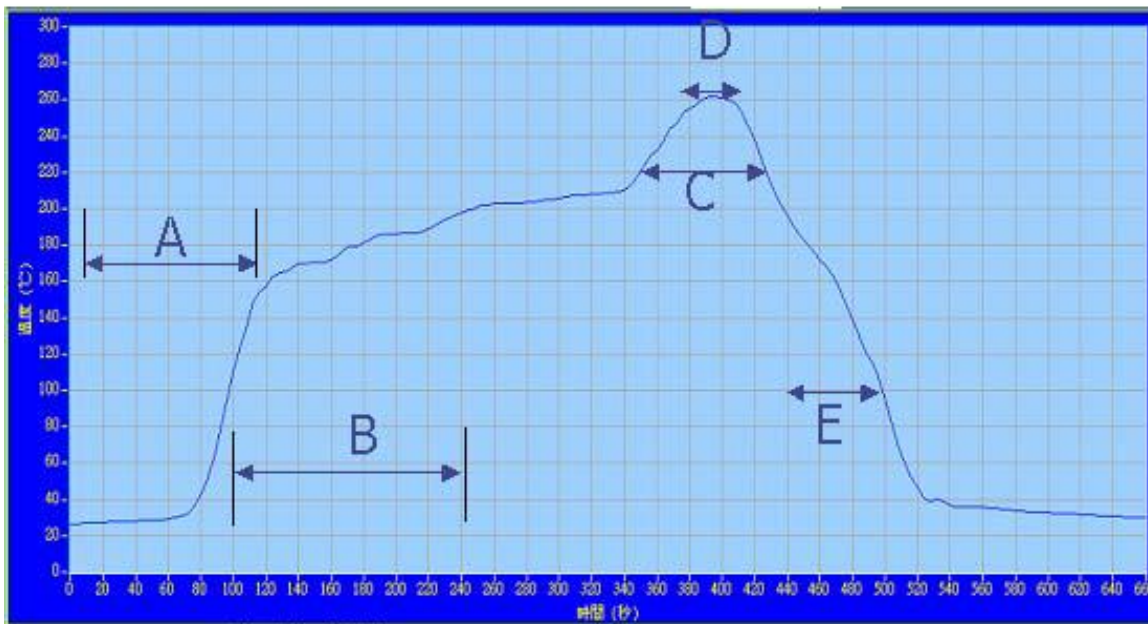
Tolerance : ± 0.2 mm

π matching circuit :



OTHER SPECIFICATIONS

Recommendable Reflow Soldering



A	Rising temperature	The normal to Preheating	60s to 120s
B	Preheating	80°C to 200°C	140s to 150
C	Temperature	220°C to 260°C to 220°C	80 to 90s
D	Main heating	if 260°C	20s~30s
E	Regular cooling	200°C to 100°C	1°C/s ~ 4°C/s

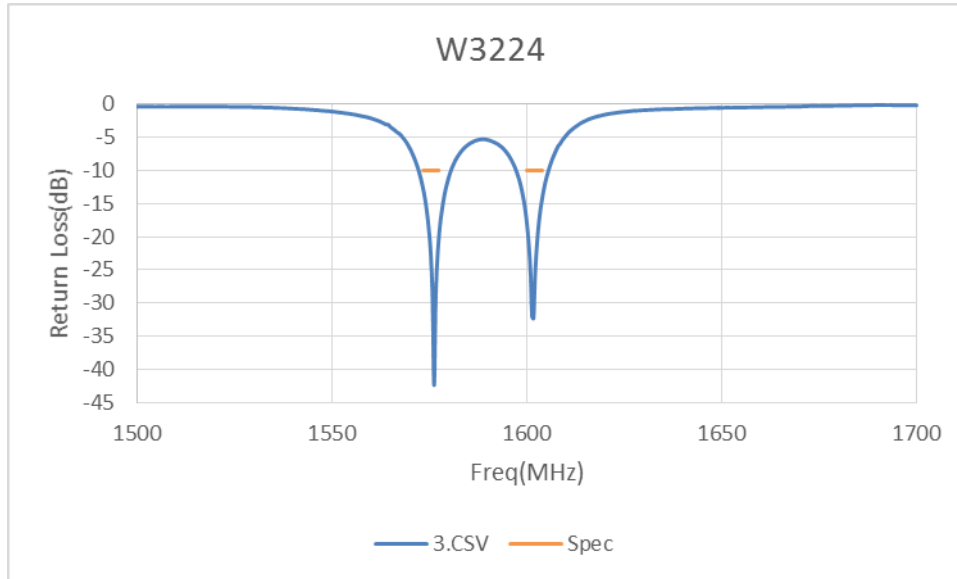
* The thickness of Solder should be controlled to be higher than 0.1 mm.

Description: 18x18x4mm GPS/Glonass SMD Mount

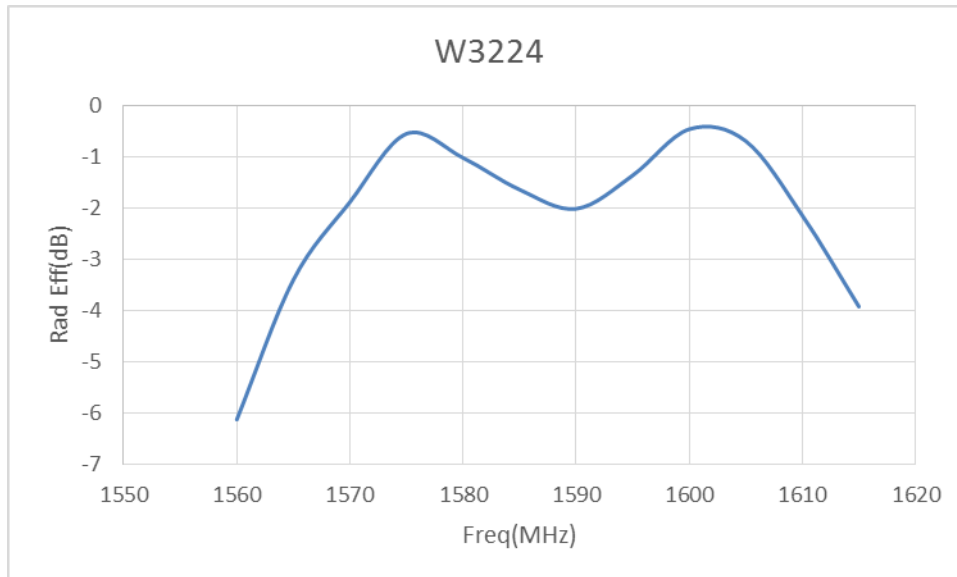
Series: Ceramic Patch

PART NUMBER: W3224

CHARTS



Return Loss



Total Radiation Efficiency

Issue: 2047

In the effort to improve our products, we reserve the right to make changes judged to be necessary.

CONFIDENTIAL AND PROPRIETARY INFORMATION

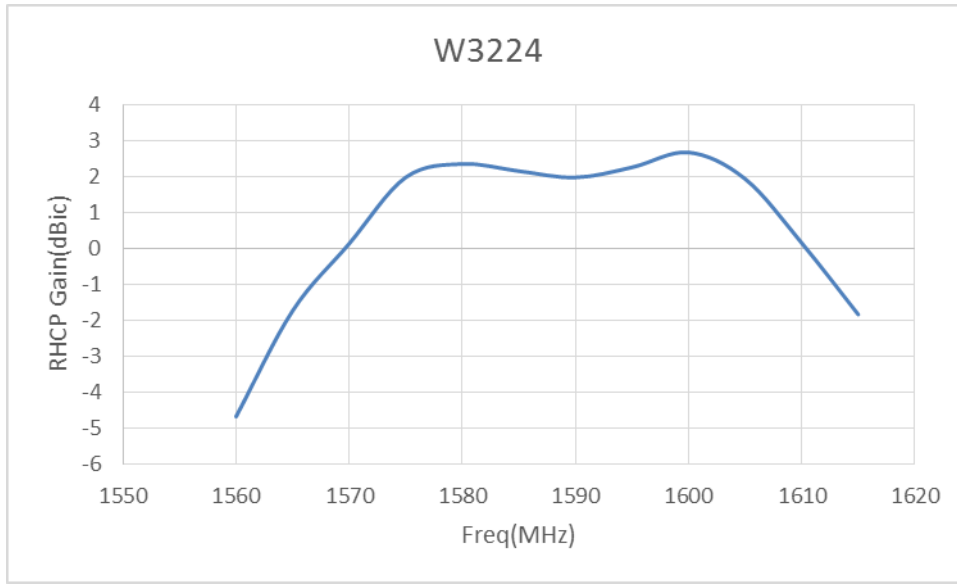
This document contains confidential and proprietary information of Pulse Electronics, Inc. (Pulse) and is protected by copyright, trade secret and other state and federal laws. Its receipt or possession does not convey any rights to reproduce, disclose its contents, or to manufacture, use or sell anything it may describe. Reproduction, disclosure or use without specific written authorization of Pulse is strictly forbidden.

Description: 18x18x4mm GPS/Glonass SMD Mount

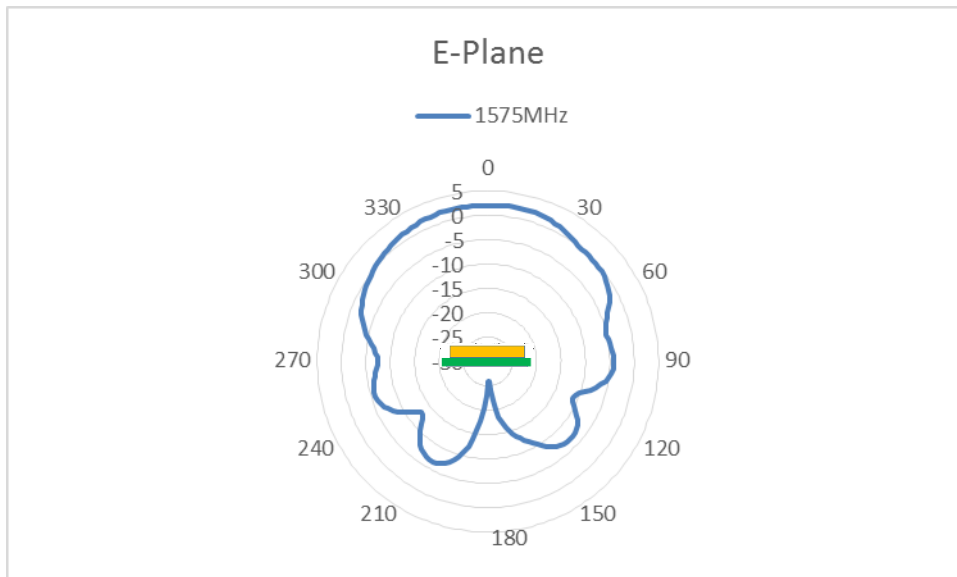
Series: Ceramic Patch

PART NUMBER: W3224

CHARTS



Zenith RHCP Gain



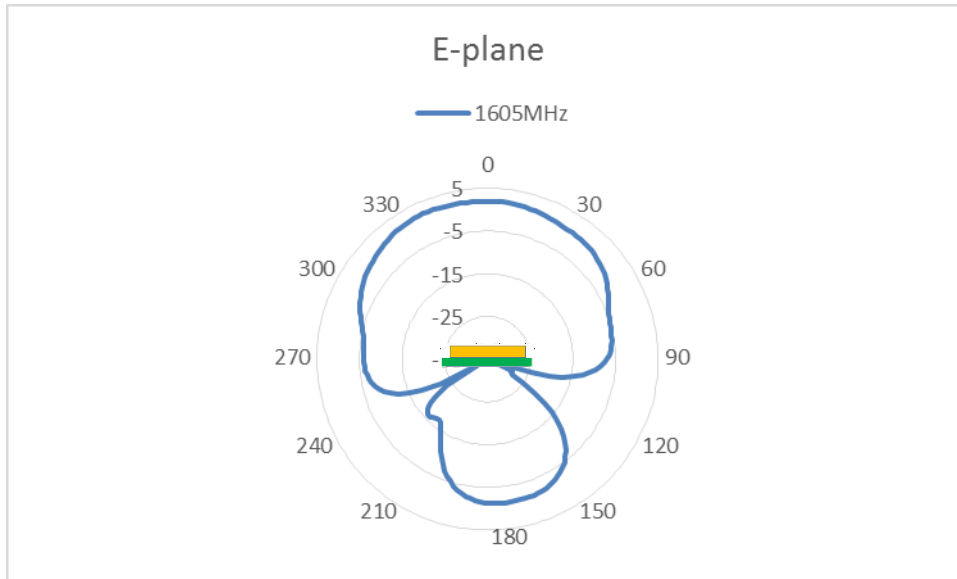
GPS Radiation pattern on 70mmX70mm metal plane

Description: 18x18x4mm GPS/Glonass SMD Mount

Series: Ceramic Patch

PART NUMBER: W3224

CHARTS



Glonass Radiation pattern on 70mmX70mm metal plane

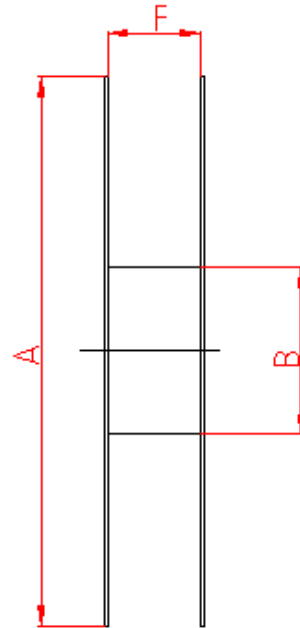
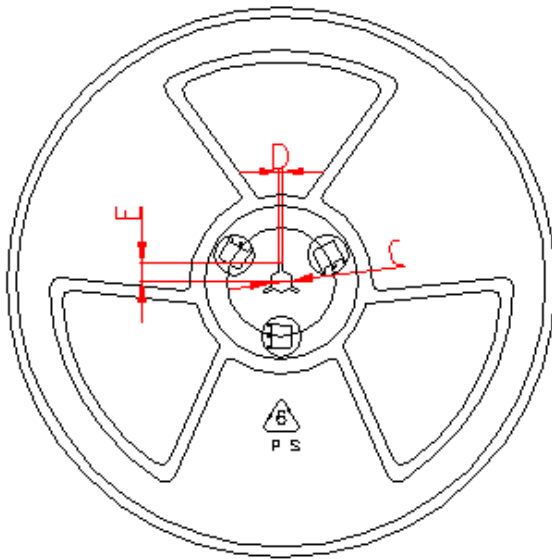
Description: 18x18x4mm GPS/Glonass SMD Mount

Series: Ceramic Patch

PART NUMBER: W3224

PACKAGING

Reel & Tape packing
300PCS/reel



A	B	C	D	E	F
±2.0	±4.0	±0.2	±0.2	±2.0	±2.0
330	100	13.2	2	10.75	32.4

Issue: 2047

In the effort to improve our products, we reserve the right to make changes judged to be necessary.

CONFIDENTIAL AND PROPRIETARY INFORMATION

This document contains confidential and proprietary information of Pulse Electronics, Inc. (Pulse) and is protected by copyright, trade secret and other state and federal laws. Its receipt or possession does not convey any rights to reproduce, disclose its contents, or to manufacture, use or sell anything it may describe. Reproduction, disclosure or use without specific written authorization of Pulse is strictly forbidden.

单击下面可查看定价，库存，交付和生命周期等信息

[>>Pulse\(普思\)](#)