

Magnetic Mount Accessory for the GPSMB Panther Series Antennas

Part# GPSMBMM



The GPSMBMM is the ideal magnetic mount accessory to be used in conjunction with the GPSMB Panther Series Antennas. This robust “mag mount” attachment is easily added to any of the GPSMB series antennas for a solid and durable connection. To be used on a vehicle or other metal devices without damaging the surface.

Features

- Robust Removable Magnetic Mount Accessory
- Works with Pulse GPSMB Panther Series Antennas
- Detachable with a strong magnetic connection
- Robust housing - Outdoor UV stabilized

Applications

- Perfect for use on vehicular applications where a permanent mount is not desirable
- Can be used on various metal surfaces
- Detachable, non-permanent mount
- Magnetic Mount Accessory to work with Pulse GPSMB series antennas

Confidential and Proprietary – Pulse Electronics – All Rights reserved – 2015

This document contains confidential and proprietary information of Pulse Electronics, Inc. (Pulse) and is protected by copyright, trade secret and other state and federal laws. Its receipt or possession does not convey any rights to reproduce, disclose its content, or to manufacture, use or sell anything it may describe. Reproduction, disclosure or use without specific written authorization of Pulse is strictly forbidden. Information subject to change without notice.

For More Information

Pulse Worldwide Headquarters

12220 World Trade Drive
San Diego, CA 92128
USA

Tel: 1- 858-674-8100
Fax: 1-858-674-8262

Larsen Brand Antennas

3611 NE 112th Ave
Vancouver, WA 98682
USA

Tel: 1-360-944-7551
Fax: 1-360-944-7556

Europe Headquarters

Pulse GmbH & Do, KG
Zeppelinstrasse 15
Herrenberg, Germany

Tel: 49 7032 7806 0
Fax: 49 7032 7806 135

Pulse (Suzhou) Wireless Products Co, Inc.

99 Huo Ju Road(#29 Bldg, 4th Phase
Suzhou New District
Science & Tech Industrial Park
Jiangsu Province, Suzhou 215009 PR China

Tel: 86 512 6807 9998
Fax: 86 512 6809 8023



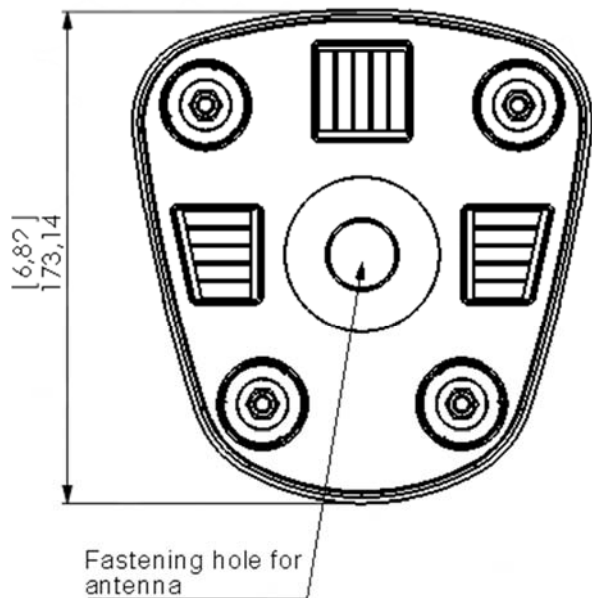
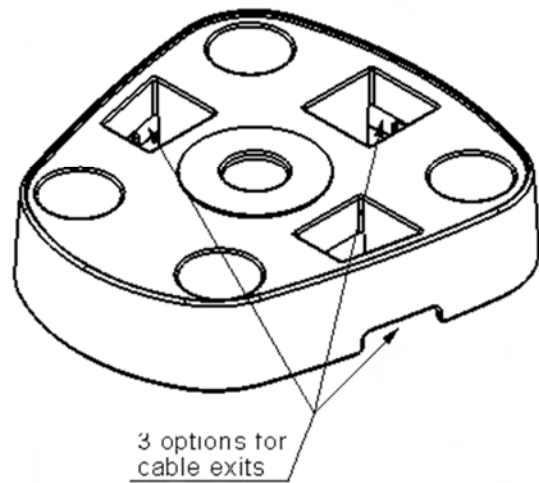
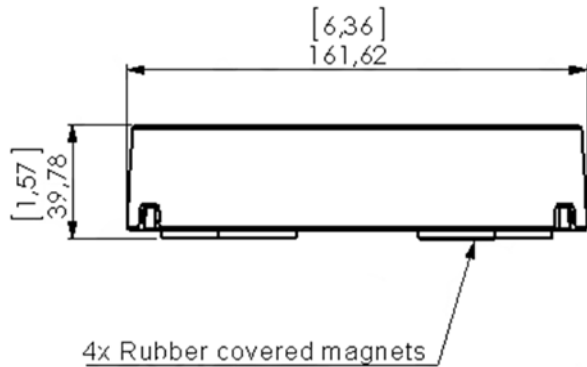
Performance warranty of products offered in this data sheet is limited to the parameters specified. Other brand and product names mentioned herein may be trademarks or registered trademarks of their respective owners.
©Copyright, 2015. Pulse Electronics, Inc. All rights Reserved.

GPSMB Series Magnet Mount

Part# GPSMBMM

MECHANICAL SPECIFICATION

Plastic House	PC
Color	Black
Weight (grams)	260
Pull Strength – Side-Pull Force	18 Lbs (On Clean, Painted Steel Surface)
Pull Strength - Pull-Off Force	13.5 Lbs (On Clean, Painted Steel Surface)



ENVIRONMENTAL SPECIFICATION

Plastic Housing	UV Stabilized, UL-94 HB
-----------------	-------------------------

单击下面可查看定价，库存，交付和生命周期等信息

[>>Pulse\(普思\)](#)