

SMT Common Mode Chokes

1.22A to 14.0 A



- ⊕ Solutions based on impedance, size and current
- ⊕ Designed for DC/DC converters
- ⊕ Wide variety of inductor sizes and current ratings available
- ⊕ **Dielectric strength:** 1000V_{RMS} (380V_{rms} continuous)

Electrical Specifications @ 25°C - Operating Temperature -40°C to +120°C³

| Part Number | Inductance (mH±35%) | I _{rated} ¹ (A) | DCR (MAX) (mΩ) | Curve (see # below) | Package | Weight (Grams) | Quantity In Tube | Quantity In Reel |
|-------------|---------------------|-------------------------------------|----------------|---------------------|----------|----------------|------------------|------------------|
| P0502NL | 0.47 | 14.0 | 8 | 9 | Big Foot | 14.8 | 15 | 75 |
| P0469NL | 0.63 | 11.6 | 10 | 7 | Big Foot | 14.3 | 20 | 75 |
| P0429NL | 0.81 | 9.70 | 14 | 6 | Big Foot | 13.5 | 20 | 75 |
| P0527NL | 0.53 | 7.20 | 15 | 8 | HCCI-68 | 7.7 | 15 | 100 |
| P0353NL | 0.59 | 5.60 | 21 | 7 | LCCI-50 | 5.2 | 30 | 200 |
| P0422NL | 0.77 | 4.70 | 40 | 6 | LCCI-50 | 4.9 | 30 | 200 |
| P0421NL | 0.22 | 3.30 | 60 | 5 | LCCI-50 | 4.7 | 30 | 200 |
| P0420NL | 1.32 | 3.30 | 60 | 4 | LCCI-50 | 4.6 | 30 | 200 |
| P0351NL | 1.47 | 2.80 | 80 | 3 | LCCI-50 | 4.3 | 30 | 200 |
| P0473NL | 0.88 | 1.63 | 110 | 2 | Polecat | 1.5 | 35 | 500 |
| P0354NL | 1.17 | 1.22 | 200 | 1 | Polecat | 1.4 | 35 | 500 |

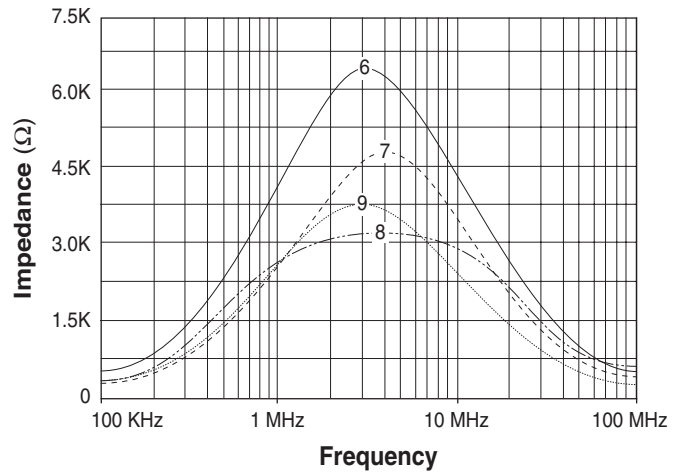
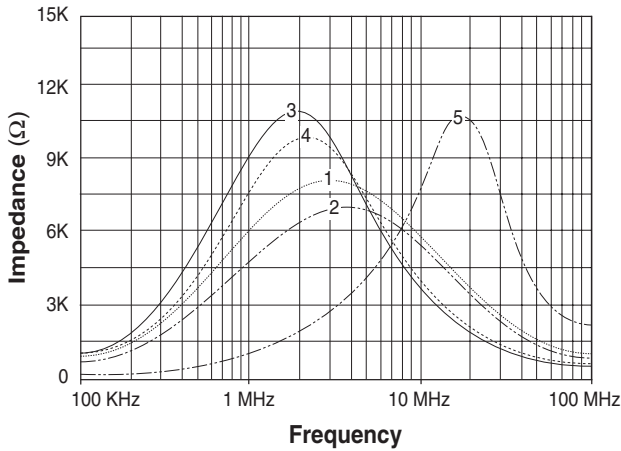
Notes:

1. The current rating (I_{rated}) is based upon the temperature rise of the component and represents the rms current which will cause a typical temperature rise of 55C with 50LFM forced cooling.
2. Optional Tape & Reel packaging can be ordered by adding a "T" suffix to the part number (i.e. P0502 becomes P0502T). Pulse complies to industry standard tape and reel specification EIA481.
3. The temperature of the component (ambient plus temperature rise) must be within the stated operating temperature range.

SMT Common Mode Chokes

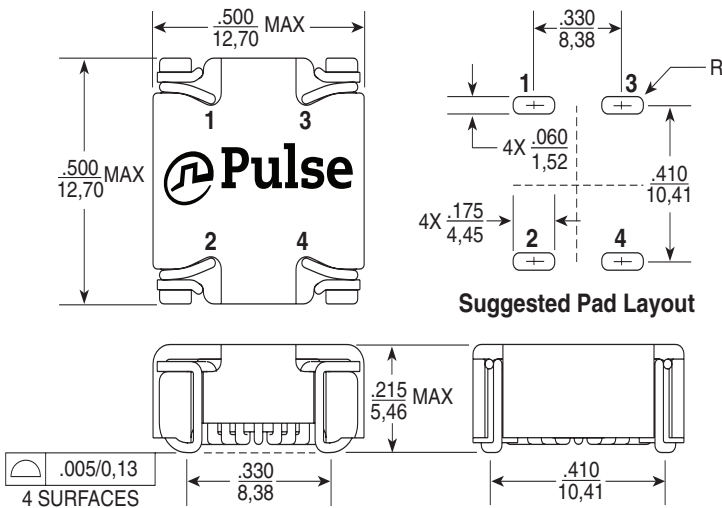
1.22A to 14.0 A

Impedance Curves

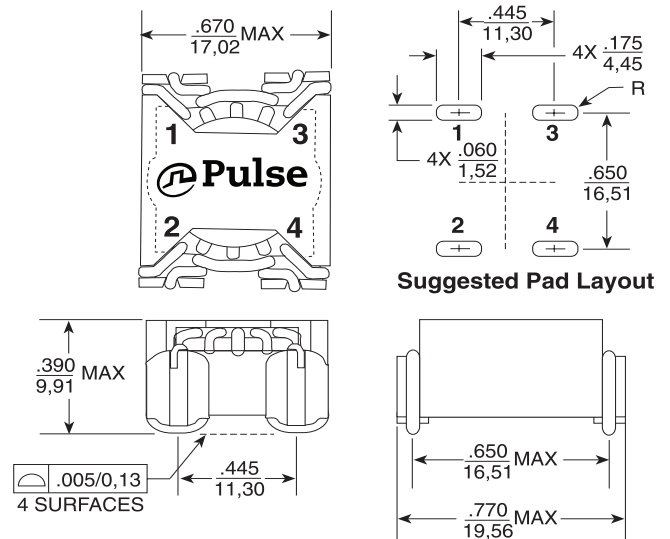


Mechanicals

Polecat

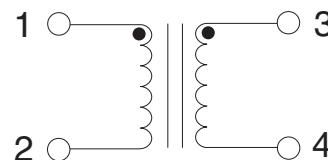


LCCI-50



Dimensions: Inches
mm
Unless otherwise specified,
all tolerances are: $\pm \frac{.005}{0,13}$

Schematic

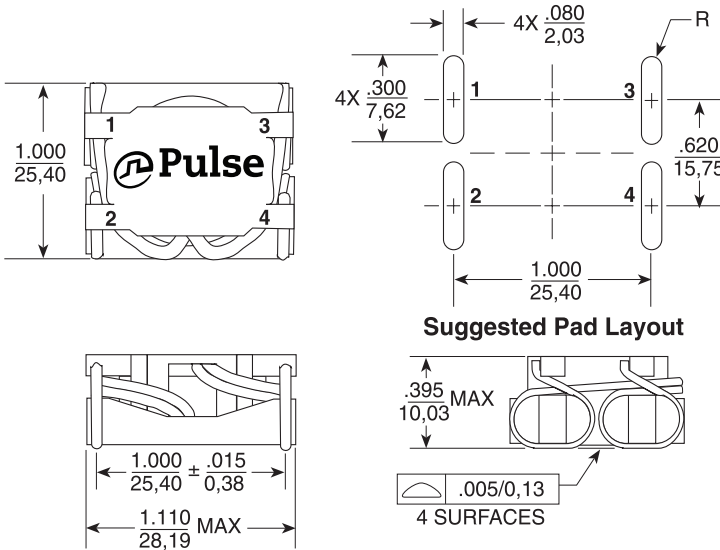


SMT Common Mode Chokes

1.22A to 14.0 A

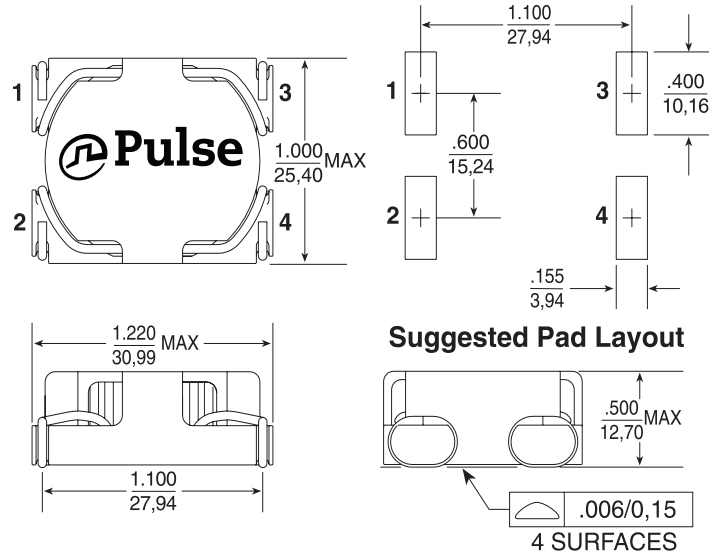
Mechanicals

HCCI-68

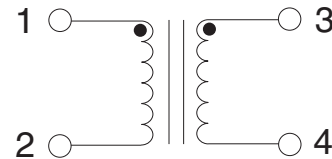


Dimensions: $\frac{\text{Inches}}{\text{mm}}$
Unless otherwise specified,
all tolerances are: $\pm \frac{.005}{0.13}$

Big Foot



Schematic



For More Information

Pulse Worldwide Headquarters

15255 Innovation Drive Ste 100
San Diego, CA 92128
U.S.A.

Pulse Europe

Pulse Electronics GmbH
Am Rottland 12
58540 Meinerzhagen
Germany

Pulse China Headquarters

Pulse Electronics (ShenZhen) CO., LTD
D708, Shenzhen Academy of
Aerospace Technology,
The 10th Keji South Road,
Nanshan District, Shenzhen,
P.R. China 518057

Pulse North China

Room 2704/2705
Super Ocean Finance Ctr.
2067 Yan An Road West
Shanghai 200336
China

Pulse South Asia

3 Fraser Street 0428
DUO Tower
Singapore 189352

Pulse North Asia

1F., No.111 Xiyuan Road
Zhongli District
Taoyuan City 32057
Taiwan (R.O.C)

Tel: 858 674 8100
Fax: 858 674 8262

Tel: 49 2354 777 100
Fax: 49 2354 777 168

Tel: 86 755 33966678
Fax: 86 755 33966700

Tel: 86 21 62787060
Fax: 86 2162786973

Tel: 65 6287 8998
Fax: 65 6280 0080

Tel: 886 3 4356768
Fax: 886 3 4356820

Performance warranty of products offered on this data sheet is limited to the parameters specified. Data is subject to change without notice. Other brand and product names mentioned herein may be trademarks or registered trademarks of their respective owners. © Copyright, 2019. Pulse Electronics, Inc. All rights reserved.

单击下面可查看定价，库存，交付和生命周期等信息

[>>Pulse\(普思\)](#)