

Qty Per:	TRAY	CARTON		
	3	18		
PART NUMBER	STATEMENT			
SFP0-3010-L	INNER/OUTER LIGHT PIPES			
	INNER LIGHT PIPES			
	OUTER LIGHT PIPES			
No.	DESCRIPTION	Q'ty	MATERIAL	PLATING
01	SFP CAGE (Non-Logo)	1	COPPER ALLOY	
02	CONNECTOR	6	HIGH TEMP/COPPER ALLOY	GOLD
03	LIGHT PIPES	6	POLYCARBONITE	

DETACHED LISTS	MM (INCH)		RoHS Compliant						
	TOLERANCES EXCEPT AS NOTED		TITLE						
	MM		W/LIGHT PIPES						
	.0 ± 0.25	±	SFP 2 BY 6 CAGE+CONNECTOR_P						
.00 ± 0.20	±	ANGLES ± 0.5		DFTD Jack		DRAWING NO. CSFP0-3010-L	SIZE	REV	
.000 ± 0.10	±	THIRD ANGLE PROJECTION		DATE 3/10/09		/PART NO. SFP0-3010-L		A3	0
SCALE : 2:1				DO NOT SCALE DRAWING		SHEET 1 OF 4			

8

7

Downloaded From [Oneyac.com](http://Oneyac.com)

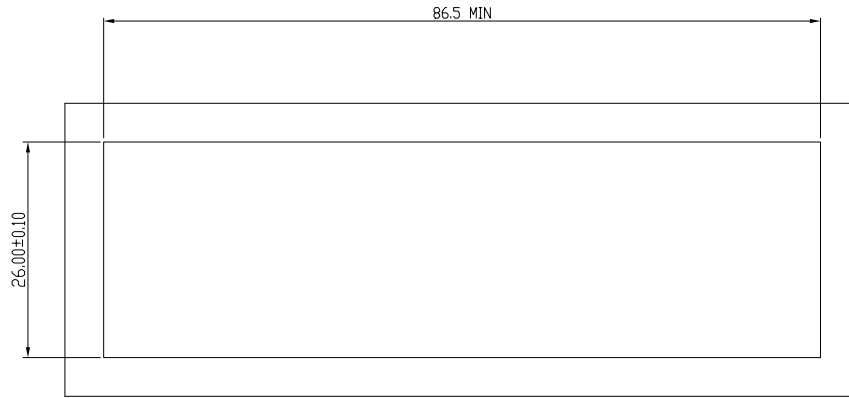
4

3

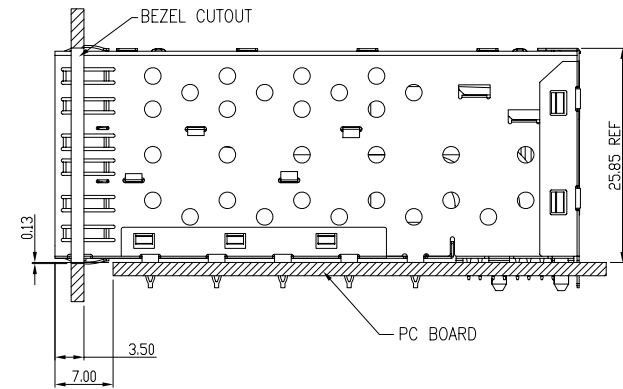
2

1

H  
G  
F  
E  
D  
C  
B  
A



BEZEL CUT-OUT CENTER SPACING DETAIL  
 BEZEL THICKNESS:0.8-2.6



DETACHED LISTS	← MM (INCH) → TOLERANCES EXCEPT AS NOTED		<b>RoHS Compliant</b>			
	MM .0 ± 0.25 ± .00 ± 0.20 ± .000 ± 0.10 ±		TITLE W/LIGHT PIPES SFP 2 BY 6 CAGE+CONNECTOR_P			
	ANGLES ± 0.5		DFTD Jack DATE 3/10/09'		DRAWING NO. CSFP0-3010-L /PART NO. SFP0-3010-L	
	 THIRD ANGLE PROJECTION		SCALE : 2:1		DO NOT SCALE DRAWING	
				SIZE A3	REV 0	SHEET 2 OF 4

8

7

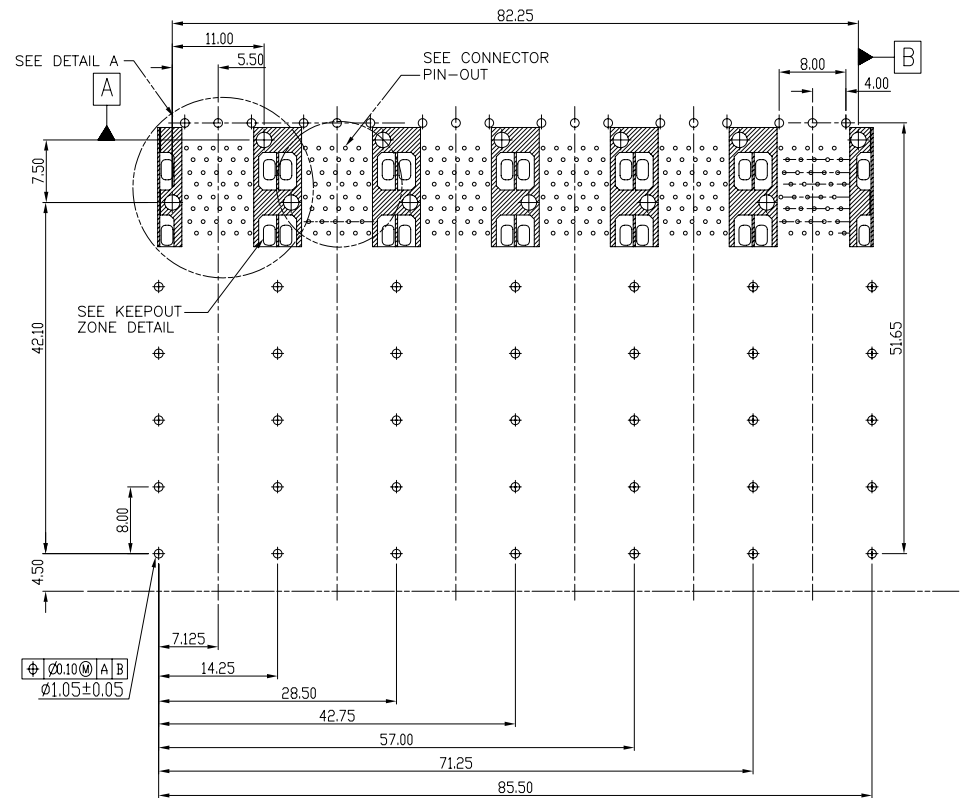
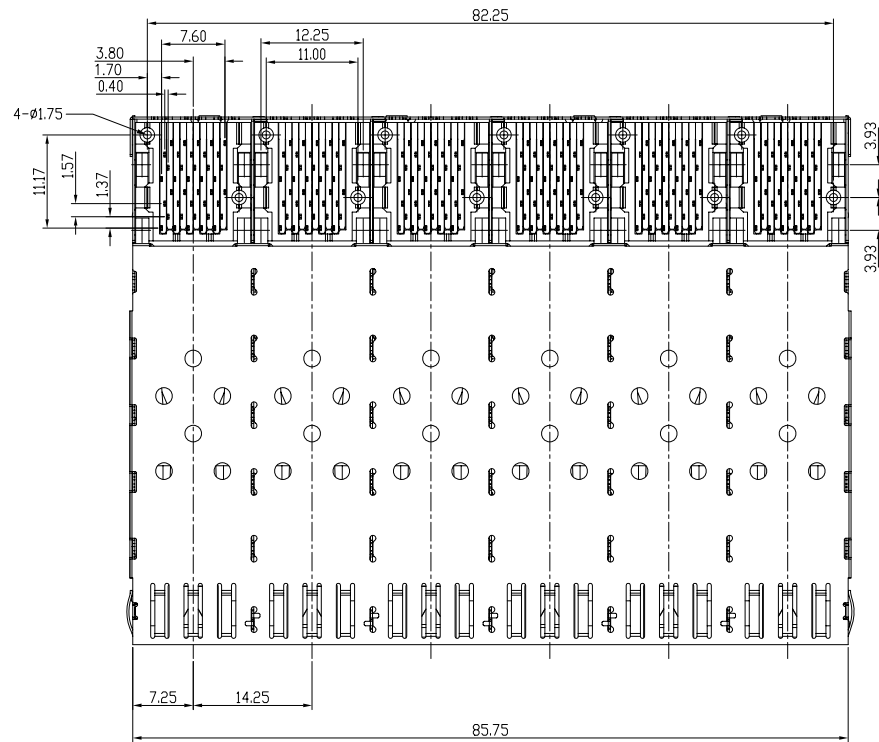
4

3

2

1

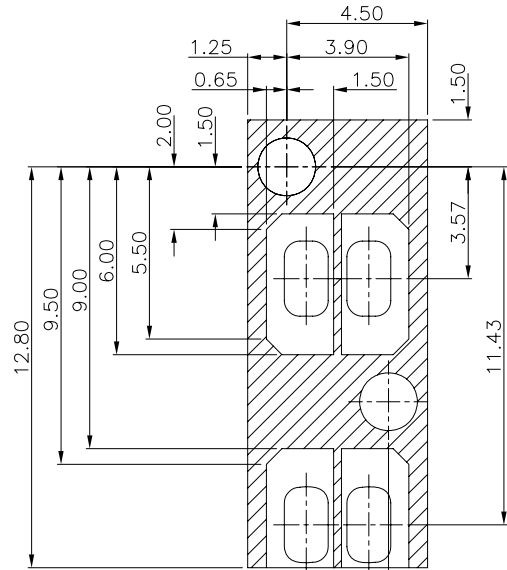
H  
G  
F  
E  
D  
C  
B  
A



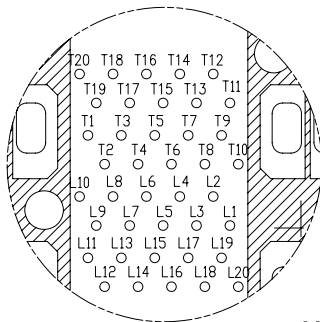
Ø 0.10 @ A B  
Ø 1.05 ± 0.05

DETACHED LISTS	MM (INCH)	
	TOLERANCES EXCEPT AS NOTED	
	MM	±
	.0 ± 0.25	±
	.00 ± 0.20	±
	.000 ± 0.10	±
	ANGLES ± 0.5	
	THIRD ANGLE PROJECTION	

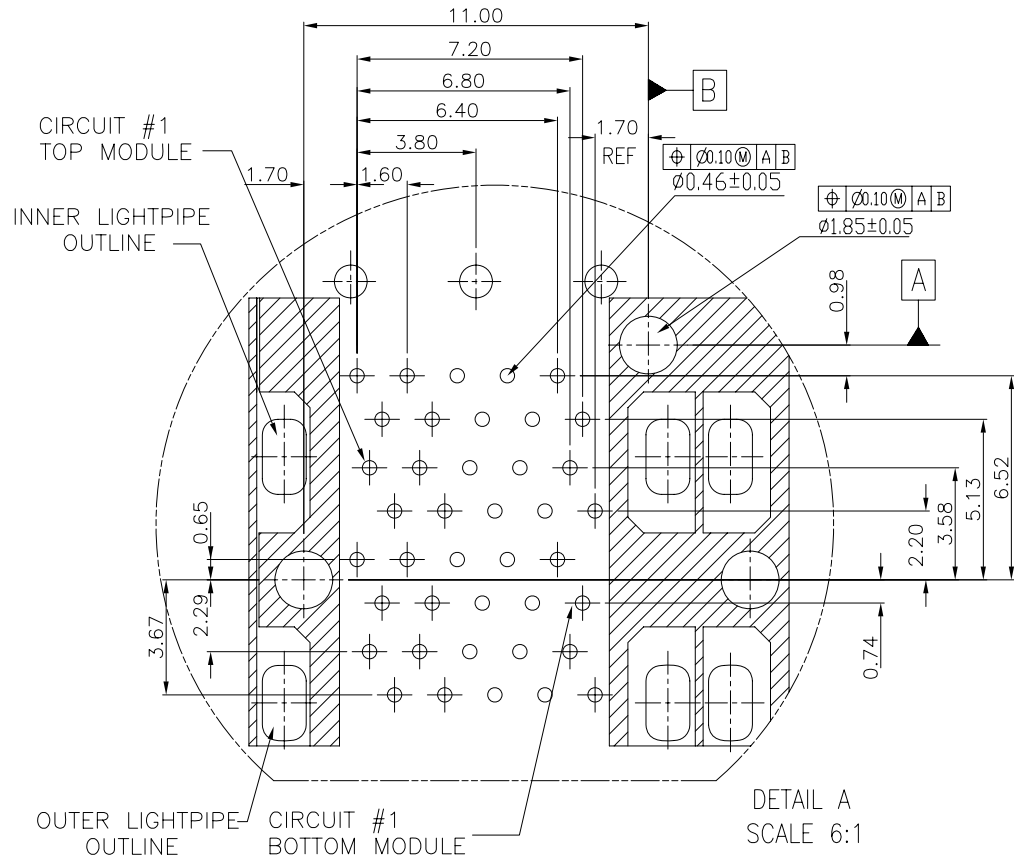
<b>RoHS Compliant</b>			
TITLE		W/LIGHT PIPES	
SFP 2 BY 6 CAGE+CONNECTOR_P			
DFTD Jock	DRAWING NO. CSFP0-3010-L	SIZE	REV
DATE 3/10/09	/PART NO. SFPO-3010-L	A3	0
SCALE : 2:1	DO NOT SCALE DRAWING	SHEET 3	OF 4



KEEPOUT ZONE DETAIL  
SCALE 6:1



CONNECTOR PIN-OUT  
COMPONENT SIDE OF BOARD



DETAIL A  
SCALE 6:1

← MM (INCH) → TOLERANCES EXCEPT AS NOTED		<b>RoHS Compliant</b>			
MM .0 ± 0.25 ± .00 ± 0.20 ± .000 ± 0.10 ±		TITLE SFP 2 BY 6 CAGE+CONNECTOR_P		W/LIGHT PIPES	
ANGLES ± 0.5		DFTD Jack DATE 3/10/09'		DRAWING NO. CSFP0-3010-L /PART NO. SFPO-3010-L	
 THIRD ANGLE PROJECTION		SCALE : 2:1		DO NOT SCALE DRAWING	
				SIZE A3	REV 0
				SHEET 4	OF 4

单击下面可查看定价，库存，交付和生命周期等信息

[>>Pulse\(普思\)](#)