

STARJACK™

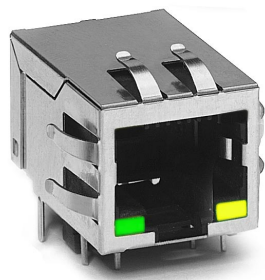
1x1 Tab-DOWN RJ45



www.pulseeng.com

Description:

10/100 Base-TX RJ45 1x1 Tab-DOWN 8-pin Integrated Magnetics Connector, designed to support high volume cost-conscious consumer applications such as: ADSL modems, Cable modems, STB and Video on Demand.



Features and Benefits:

- RoHS peak wave solder temperature rating 260°C
- Suitable for CAT 5 & 6 Fast Ethernet Cable or better UTP

Electrical Performance Summary:

- Meets IEEE 802.3 specification
- 350µH minimum OCL with 8mA bias current
- High performance for Max EMI suppression for cost-conscious applications

10 Base-T Electrical Specifications @ 25°C — Operating Temperature 0°C to +70°C

RoHS Compliant Part No.	Data Rate	Turns Ratios		EMI ¹ Fingers	LEDs ² (L/R)	BST	Insertion Loss (dB MAX)	Return Loss (dB MIN)	Crosstalk (dB MIN)	Common Mode Rejection (dB MIN)	Hipot (Vrms)
		TX	RX				1-10MHz	1-10MHz	1-10MHz	5MHz	@60Hz 1 MIN
J00-0025 NL	10BT	1CT:2.5	1CT:1	Yes	None	No	-1	-15	-30	-25	1500
J00-0051NL	10BT	1CT:2.5	1CT:1	Yes	G/Y	No	-1	-15	-30	-25	1500
J00-0062 NL	10BT	1CT:2.5	1CT:1	No	None	No	-1	-15	-30	-25	1500
J00-0063NL	10BT	1CT:2.5	1CT:1	No	G/Y	No	-1	-15	-30	-25	1500

10/100 Base-T Electrical Specifications @ 25°C — Operating Temperature 0°C to +70°C

RoHS Compliant Part No.	Data Rate	Turns Ratios		EMI ¹ Fingers	LEDs ² (L/R)	BST	Insertion Loss (dB MAX)		Return Loss (dB MIN)			Crosstalk (dB MIN)			Common Mode Rejection (dB MIN)	Hipot (Vrms)	
		TX	RX				1-65MHz	1-10MHz	10-30MHz	30-60MHz	60-80MHz	1-30MHz	30-60MHz	60-100MHz	1-50MHz	50-150MHz	@60Hz 1 MIN
		J00-0014NL	100BT				1CT:1	1CT:1	No	None	Yes	-1	-18	-14	-12	-10	-35
J00-0042NL	100BT	1CT:1	1CT:1	No	None	No	-1	-18	-14	-12	-10	-35	-35	-30	-20	-15	1500
J00-0045NL	100BT	1CT:1	1CT:1	No	G/Y	Yes	-1	-18	-14	-12	-10	-35	-35	-30	-20	-15	1500
J00-0046NL	100BT	1CT:1	1CT:1	No	G/Y	No	-1	-18	-14	-12	-10	-35	-35	-30	-20	-15	1500
J00-0061NL	100BT	1CT:1	1CT:1	Yes	None	Yes	-1	-18	-14	-12	-10	-35	-35	-30	-20	-15	1500
J00-0064NL	100BT	1CT:1	1CT:1	Yes	None	No	-1	-18	-14	-12	-10	-35	-35	-30	-20	-15	1500
J00-0065NL	100BT	1CT:1	1CT:1	Yes	G/Y	Yes	-1	-18	-14	-12	-10	-35	-35	-30	-20	-15	1500
J00-0066NL	100BT	1CT:1	1CT:1	Yes	G/Y	No	-1	-18	-14	-12	-10	-35	-35	-30	-20	-15	1500

NOTES:

- For an explanation of EMI fingers, refer to the mechanical drawing page.
- LEDs Left/Right: G=green, Y=yellow.
- IEEE802.3i (10Base-T) standard does not require these parts to achieve 350µH minimum OCL with 8mA bias current for 10Base-T parts.

RJ45 Durability Testing Rating

Part Number	Mating Force (MAX)	Unmating Force (MAX)	Durability	Plug to Jack Retention (MIN)
J00 Series	5lbs./2.268kgs.	5lbs./2.268kgs.	750 Insertions	20lbs./9.072kgs.

RJ45 Material Specification

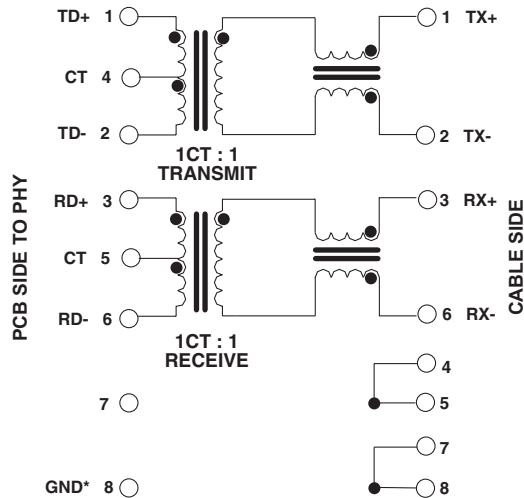
Part Number	Shield		Contact			Housing		MSL ² Rating
	Material	Finish	Material	Plating Area	Solder Area	Material	Specification	
J00 Series	Brass	20-40m inches Nickel over 10-20m inches Brass	Phosphor Bronze	Nickel underplating and selective gold plating 15µ inches	Tin matte finish	Thermoplastic	UL 94 V-0	1

- NOTES: 1. Connector dimensions comply with FCC dimension requirements.
2. MSL - Moisture Sensitivity Level class limits = 1 to 5 (Highest: 1; Lowest: 5).

USA 215 781 6400 • Germany 49 7032 7806 0 • Singapore 65 6287 8998 • Shanghai 86 21 62787060 • China 86 755 33966678 • Taiwan 886 3 4356768

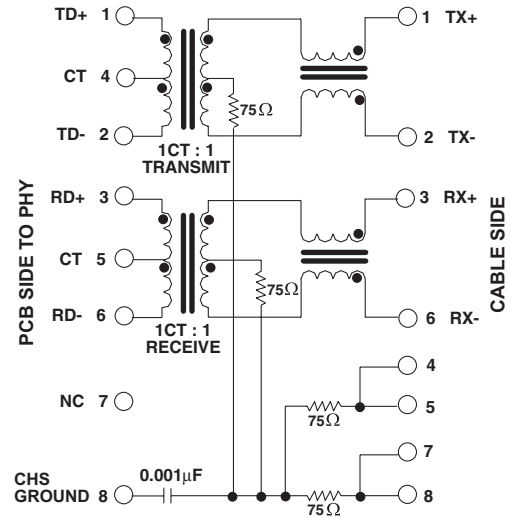
J00-00XX Series Electrical Schematics

J00-0042NL/46NL/64NL/66NL



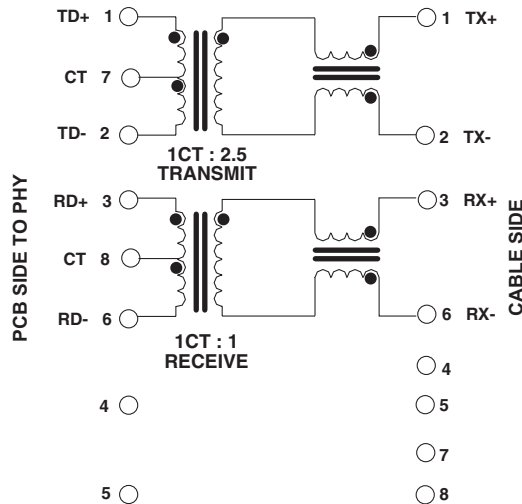
*Connecting pin 8 to Ground makes J00-0042/46/64/66 footprint compatible to J00-0014/45/61/65.

J00-0014NL/45NL/61NL/65NL



NOTE: Connect CHS GND to PCB ground.

J00-0025NL/51NL/62NL/63NL



For More Information:

Pulse Worldwide Headquarters

Two Pearl Buck Court
Bristol, PA 19007
U.S.A.

www.pulseeng.com

Tel: 215 781 6400
Fax: 215 781 6403

Pulse Europe

Einsteinstrasse 1
D-71083 Herrenberg
Germany

Tel: 49 7032 7806 0
Fax: 49 7032 7806 135

Pulse China Headquarters

B402, Shenzhen Academy of
Aerospace Technology Bldg.
10th Kejinan Rd.
High-Tech Zone
Nanshan District
Shenzen, PR China 518057

Tel: 86 755 33966678
Fax: 86 755 33966700

Pulse North China

Room 2704/2705
Super Ocean Finance Ctr.
2067 Yan An Rd. West
Shanghai 200336
China

Tel: 86 21 62787060
Fax: 86 2162786973

Pulse South Asia

135 Joo Seng Rd.
#03-02
PM Industrial Bldg.
Singapore 368363

Tel: 65 6287 8998
Fax: 65 6280 0080

Pulse North Asia

No. 26, Kao Ching Rd.
Yang Mei Chen
Taoyuan Hsien
Taiwan
R. O. C.

Tel: 886 3 4643715
Fax: 886 3 4641911

Performance warranty of products offered on this data sheet is limited to the parameters specified. Data is subject to change without notice. Other brand and product names mentioned herein may be trademarks or registered trademarks of their respective owners. © Copyright, 2009. Pulse Engineering, Inc. All rights reserved.

单击下面可查看定价，库存，交付和生命周期等信息

[>>Pulse\(普思\)](#)