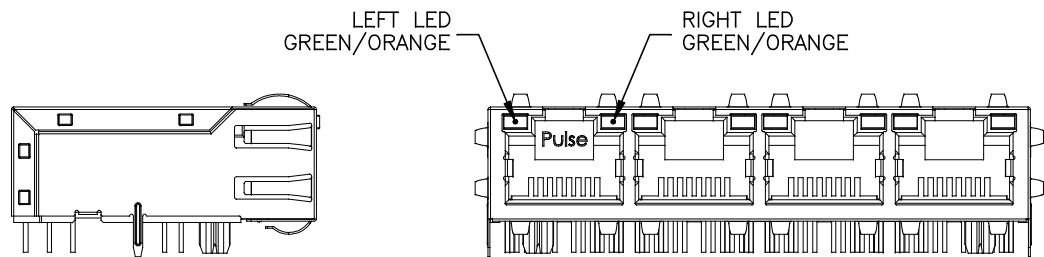
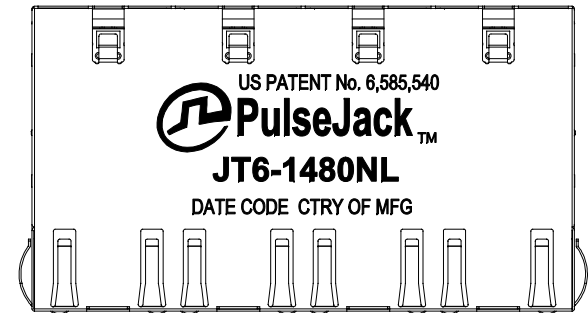


NOTES:

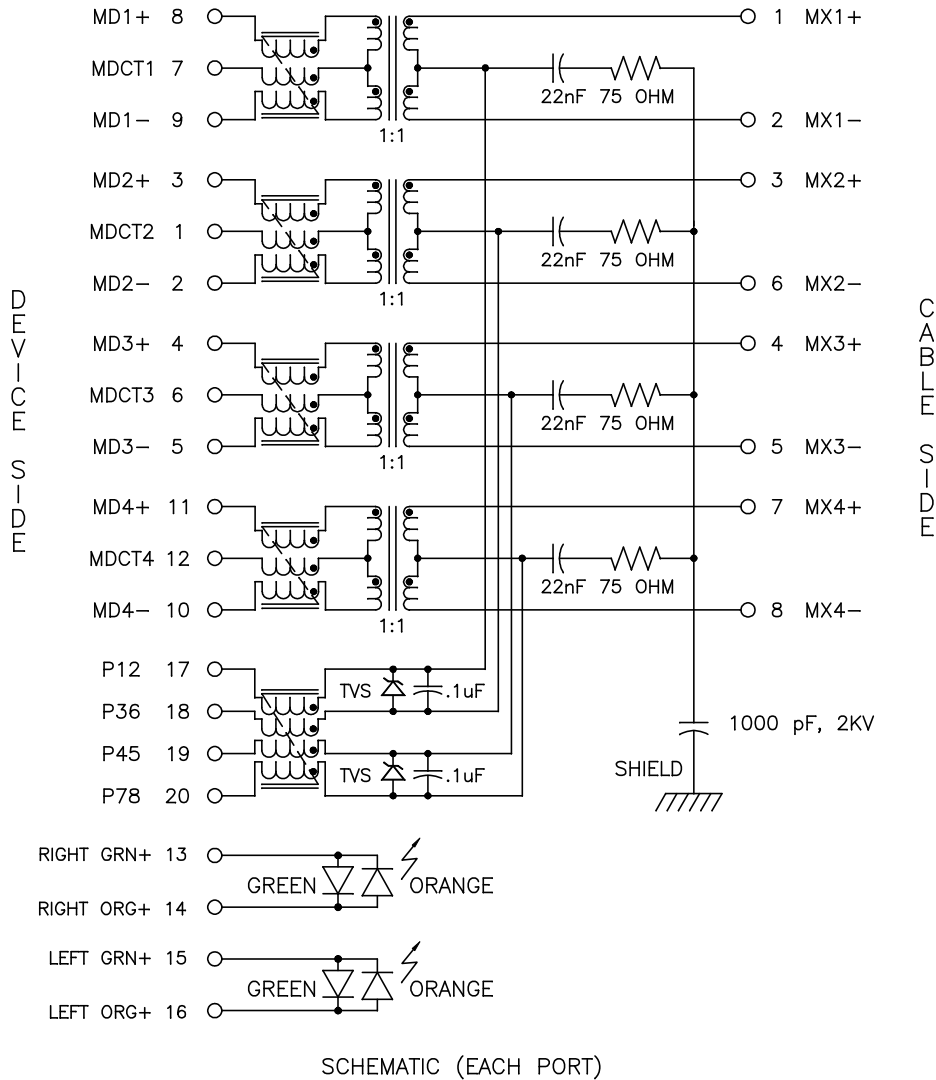
1. ROHS COMPLIANT.
2. PLASTIC HOUSING: THERMOPLASTIC MATERIAL WITH FLAMMABILITY RATING UL 94V-0 OR BETTER.
3. CONTACTS PLATING: 50 MICRO-INCH GOLD PLATING.
4. SIGNAL SOLDER PINS: TIN PLATED.
5. METAL SHIELD: NICKEL PLATED COPPER.
6. JACK CAVITY CONFORMS TO FCC PART 68 SUBPART F.
7. STORAGE TEMPERATURE: -20°C TO +125°C
8. COMPLIANT TO J-STD:
 - A. J-STD-002: SOLDERABILITY AT 245°C REFLOW PROFILE
 - B. J-STD-020: LEVEL 1, NO MOISTURE SENSITIVE
 - C. J-STD-075: W7, 270°C MAXIMUM THROUGH WAVE SOLDER



FINAL OUTLINE

© Copyright, 2015. Pulse Electronics Corp. All rights reserved. Pulse confidential & proprietary. (02/16/15)

PRODUCT DESCRIPTION	TLA DRAWING	PS DRAWING	SHEET	PART NO.	DATASHEET REV.
CONN,RJ45,1X4,10G,4C,POE4P	JT6-1480NL-10	PS-2738.002-B	1 OF 4	JT6-1480NL	B



ELECTRICAL CHARACTERISTICS AT +25°C UNLESS OTHER SPECIFIED

PARAMETER	SPECIFICATIONS		
OPERATING TEMP	0°C TO +70°C		
TURNS RATIO	1.00 ± 2%		
POLARITY	PER SCHEMATIC		
INSERTION LOSS (DATA CHANNELS)	100 KHz	1-400 MHz	
	-3.0 dB MAX	-2.0 dB MAX (-1.4 dB TYP)	
INSERTION LOSS (CM SENSE CHANNELS)	3-500 MHz		
	-5.0 dB MAX (-4 dB TYP)		
RETURN LOSS (Z OUT = 100 OHM ± 1%)	1-100 MHz	100 MHz-500 MHz	
	-22 dB MIN	-22 + 20.75*LOG (f/100)	
INDUCTANCE (OCL)	180 uH MIN @ 100 kHz, 100 mV		
CROSSTALK, ADJACENT CHANNELS	1-100 MHz	100-500 MHz	
	-28 dB MIN	-19 dB MIN	
COMMON MODE REJECTION RATIO	1-40 MHz	40-100 MHz	100-500 MHz
	-30 dB MIN	-28 dB MIN	-26 dB MIN
COMMON TO DIFFERENTIAL MODE REJECTION (CDMR)	1-250 MHz	250-500 MHz	
	-30 dB MIN	-22 dB MIN	
MAXIMUM CONTINUOUS POE CURRENT, PER TWISTED PAIR	900 mA MAX		
MAXIMUM POE SURGE CURRENT, PER TWISTED PAIR	1A MAX FOR 75 ms		
INPUT - OUTPUT ISOLATION	2250 VDC MIN @ 60 SECONDS		

NOTE: f IS FREQUENCY IN MHZ.

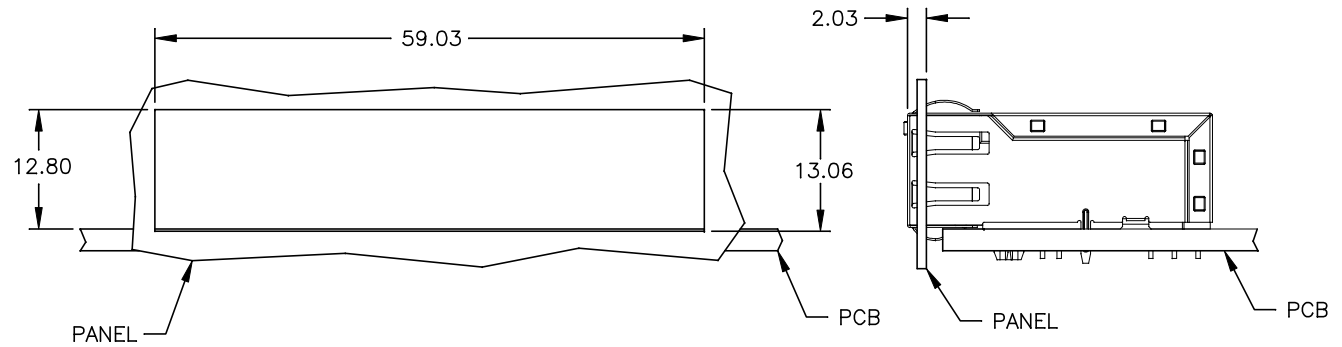
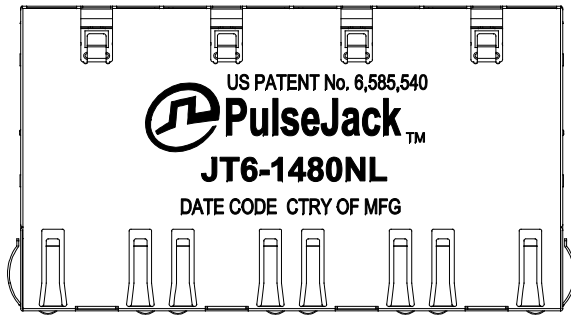
LED SPECIFICATION

EMMITTED COLOR	GREEN	ORANGE
WAVELENGTH (nm), TYPICAL	565	607
POWER DISSIPATION (Pd)	100 mW MAX	80 mW MAX
DC FORWARD CURRENT	25 mA MAX	30 mA MAX
FORWARD VOLTAGE (VF) @20mA	2.2 V TYP	2.1 V TYP

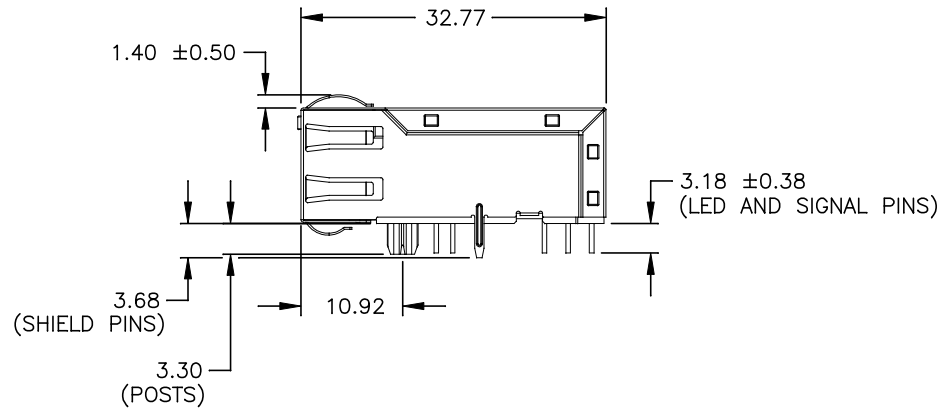
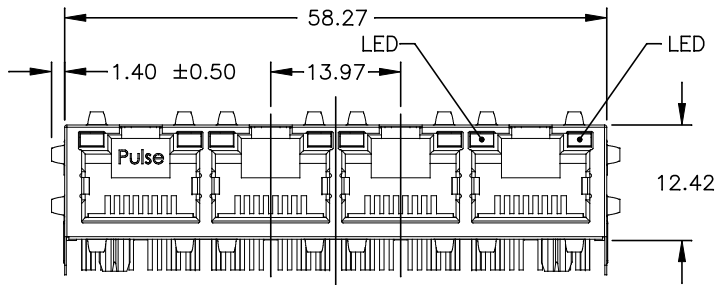
BICOLOR

© Copyright, 2015. Pulse Electronics Corp. All rights reserved. Pulse confidential & proprietary. (02/16/15)

PRODUCT DESCRIPTION	TLA DRAWING	PS DRAWING	SHEET	PART NO.	DATASHEET REV.
CONN,RJ45,1X4,10G,4C,POE4P	JT6-1480NL-10	PS-2738.002-B	2 OF 4	JT6-1480NL	B



SUGGESTED PANEL CUTOUT



ALL DIMENSION ARE SHOWN IN MILLIMETERS.
UNLESS OTHERWISE SPECIFIED,
THE FOLLOWING TOLERANCES APPLY:

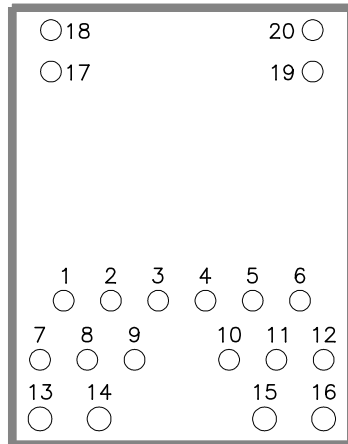
X.XX = ±0.25

© Copyright, 2015. Pulse Electronics Corp. All rights reserved. Pulse confidential & proprietary. (02/16/15)

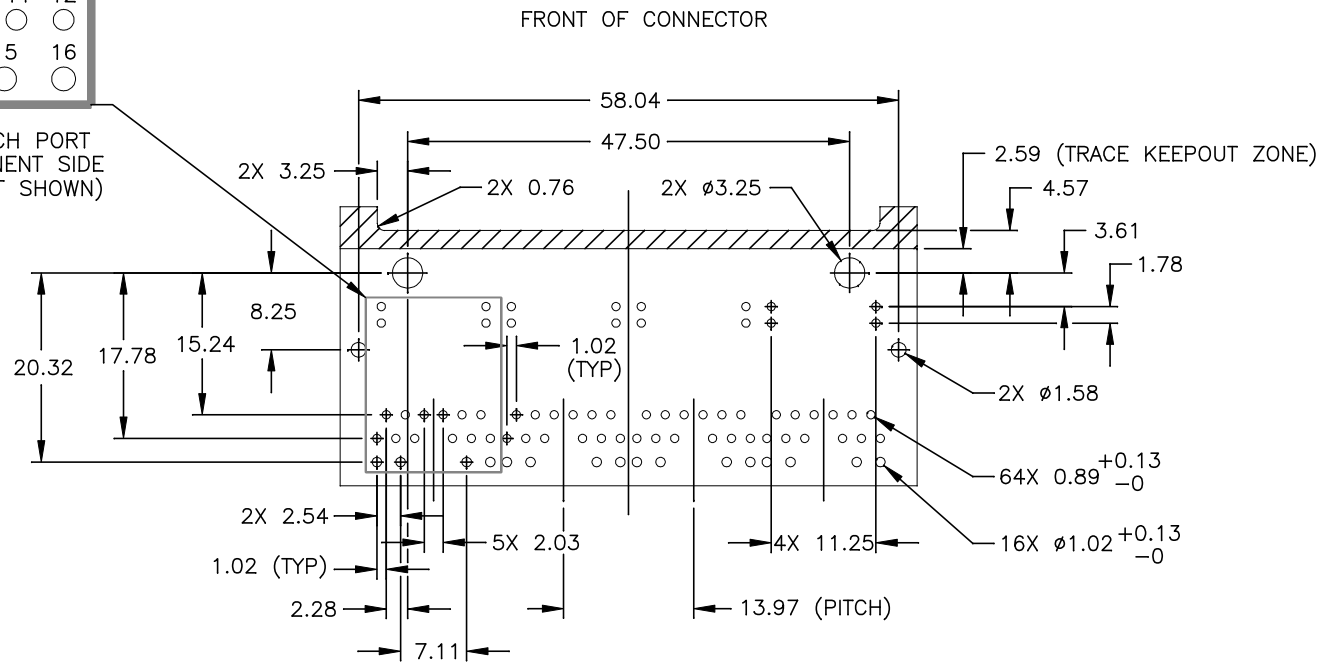
PRODUCT DESCRIPTION	TLA DRAWING	PS DRAWING	SHEET	PART NO.	DATASHEET REV.
CONN,RJ45,1X4,10G,4C,POE4P	JT6-1480NL-10	PS-2738.002-B	3 OF 4	JT6-1480NL	B

PIN ASSIGNMENT

- 1 MDCT2
- 2 MD2-
- 3 MD2+
- 4 MD3+
- 5 MD3-
- 6 MDCT3
- 7 CMDCT1
- 8 MD1+
- 9 MD1-
- 10 MD4-
- 11 MD4+
- 12 MDCT4
- 13 RIGHT GRN+
- 14 RIGHT ORG+
- 15 LEFT GRN+
- 16 LEFT ORG+
- 17 P12
- 18 P36
- 19 P45
- 20 P78



PIN ASSIGNMENT, EACH PORT VIEWED FROM COMPONENT SIDE (ONLY LEFTMOST PORT SHOWN)



SUGGESTED FOOTPRINT (COMPONENT SIDE SHOWN)

= TRACE KEEPOUT ZONE

ALL DIMENSION ARE SHOWN IN MILLIMETERS.
UNLESS OTHERWISE SPECIFIED,
THE FOLLOWING TOLERANCES APPLY:
X.XX = ±0.05

© Copyright, 2015. Pulse Electronics Corp. All rights reserved. Pulse confidential & proprietary. (02/16/15)

PRODUCT DESCRIPTION	TLA DRAWING	PS DRAWING	SHEET	PART NO.	DATASHEET REV.
CONN,RJ45,1X4,10G,4C,POE4P	JT6-1480NL-10	PS-2738.002-B	4 OF 4	JT6-1480NL	B

单击下面可查看定价，库存，交付和生命周期等信息

[>>Pulse\(普思\)](#)