

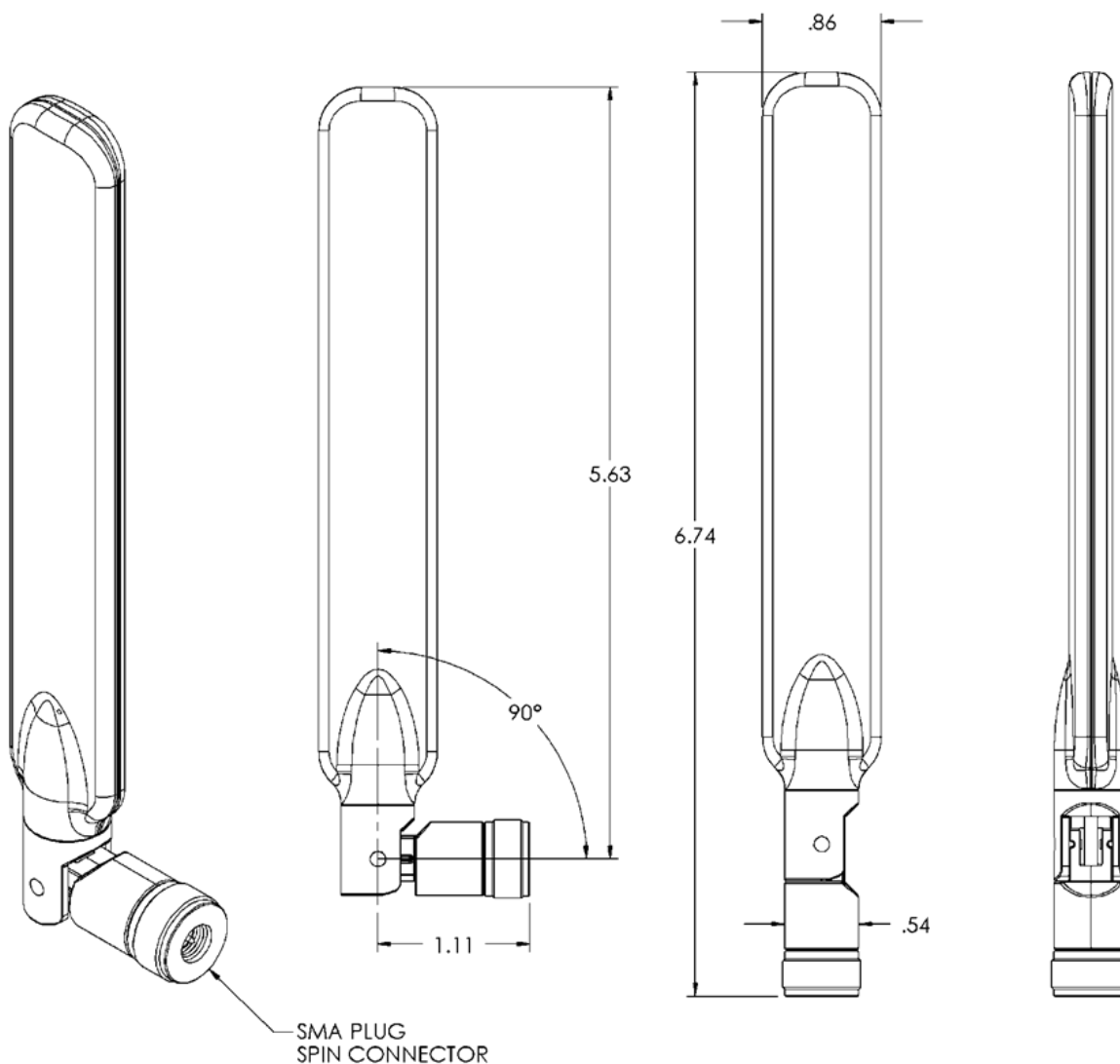


DUAL BAND DIPOLE 824-894/1850-1990MHz

SPDA24850/1900

SMA SPIN CONNECTOR

Series : ANTENNA



All dimensions are in inches (mm)

Issue: 1311

In the effort to improve our products, we reserve the right to make changes judged to be necessary.

CONFIDENTIAL AND PROPRIETARY INFORMATION

This document contains confidential and proprietary information of Pulse Electronics, Inc. (Pulse) and is protected by copyright, trade secret and other state and federal laws. Its receipt or possession does not convey any rights to reproduce, disclose its contents, or to manufacture, use or sell anything it may describe. Reproduction, disclosure or use without specific written authorization of Pulse is strictly forbidden.





DUAL BAND DIPOLE 824-894/1850-1990MHz

SPDA24850/1900

SMA SPIN CONNECTOR

Series : ANTENNA

ELECTRICAL SPECIFICATIONS

Frequency	824-894/1850-1990	MHz
Nominal Impedance	50	Ω
VSWR	2:1	Max
Average Peak Gain (824-894)	0	dBi
Average Peak Gain (1850-1990)	1.2	dBi
Radiation Pattern		
3 dB beamwidth		
Horizontal Plane	Omni	
Vertical Plane (824-894)	90	° TYP
Vertical Plane (1850-1990)	70	° TYP
Polarization:	Vertical	
Power withstanding	3	W
Connector type	SMA	

MECHANICAL SPECIFICATIONS

Plastic radome	Bayblend FR 2010 (PC/ABS)
Color	Black
Weight	36 g
Overall length	6.74 INCHES

ENVIRONMENTAL SPECIFICATIONS

Operating temperature	-30/+70 °C
-----------------------	------------

Issue: 1311

In the effort to improve our products, we reserve the right to make changes judged to be necessary.

CONFIDENTIAL AND PROPRIETARY INFORMATION

This document contains confidential and proprietary information of Pulse Electronics, Inc. (Pulse) and is protected by copyright, trade secret and other state and federal laws. Its receipt or possession does not convey any rights to reproduce, disclose its contents, or to manufacture, use or sell anything it may describe. Reproduction, disclosure or use without specific written authorization of Pulse is strictly forbidden.





DUAL BAND DIPOLE 824-894/1850-1990MHz

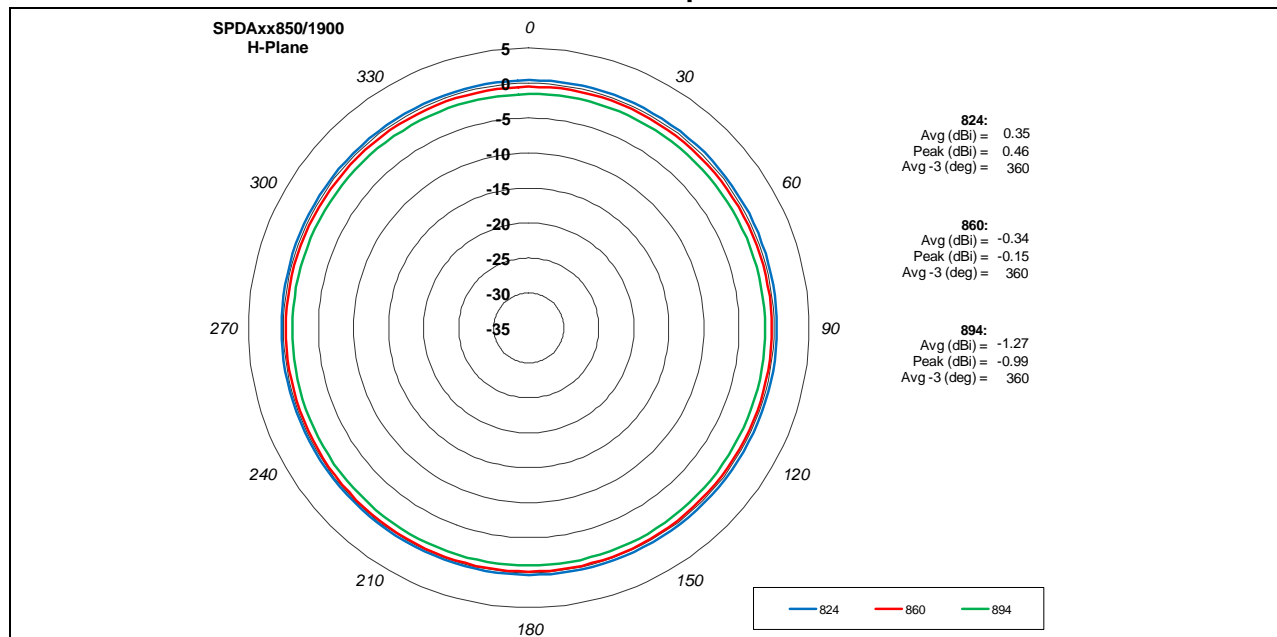
SPDA24850/1900

SMA SPIN CONNECTOR

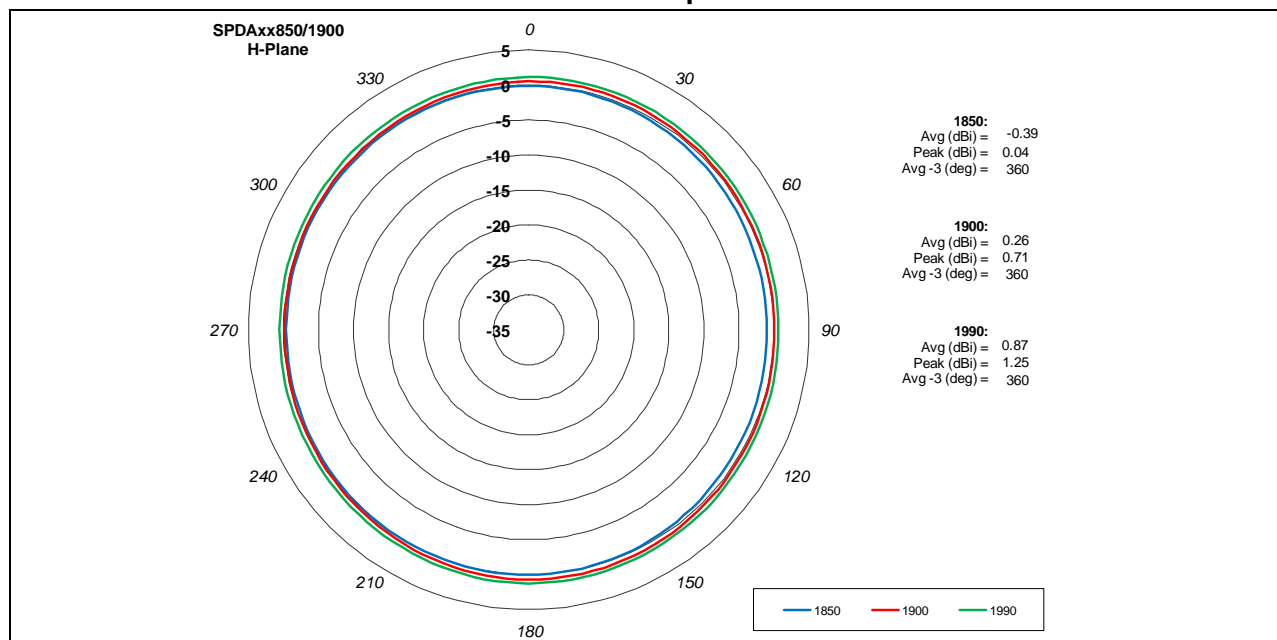
Series : ANTENNA

Charts

Horizontal plane



Horizontal plane



Issue: 1311

In the effort to improve our products, we reserve the right to make changes judged to be necessary.

CONFIDENTIAL AND PROPRIETARY INFORMATION

This document contains confidential and proprietary information of Pulse Electronics, Inc. (Pulse) and is protected by copyright, trade secret and other state and federal laws. Its receipt or possession does not convey any rights to reproduce, disclose its contents, or to manufacture, use or sell anything it may describe. Reproduction, disclosure or use without specific written authorization of Pulse is strictly forbidden.





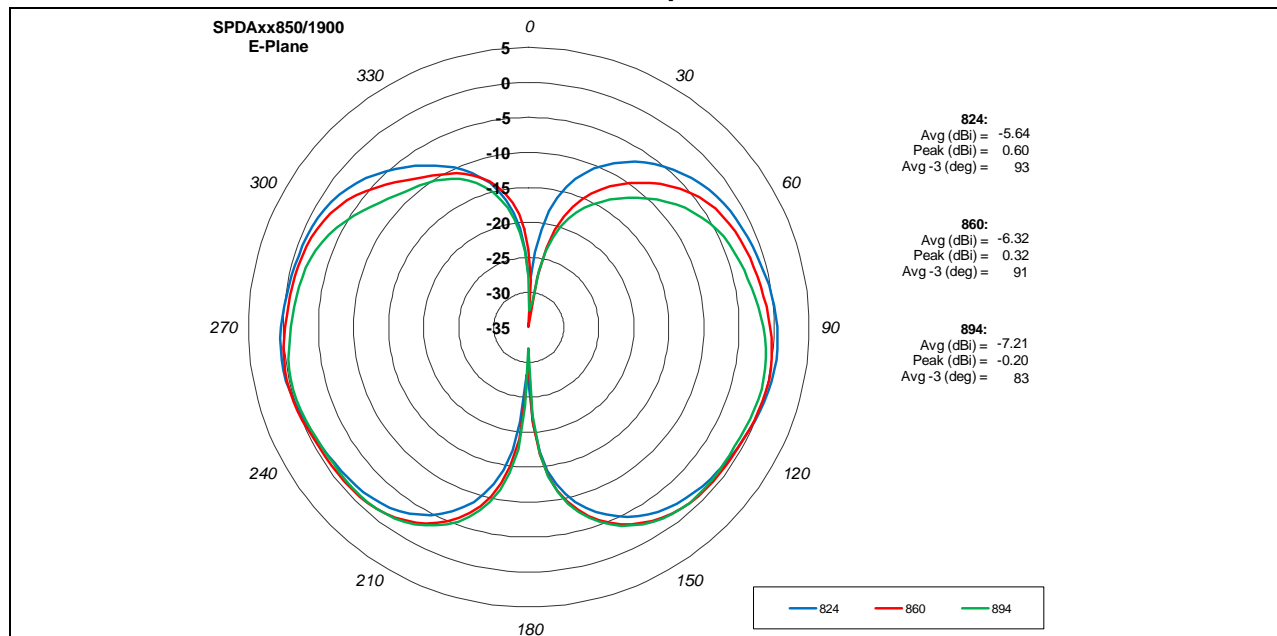
DUAL BAND DIPOLE 824-894/1850-1990MHz

SPDA24850/1900

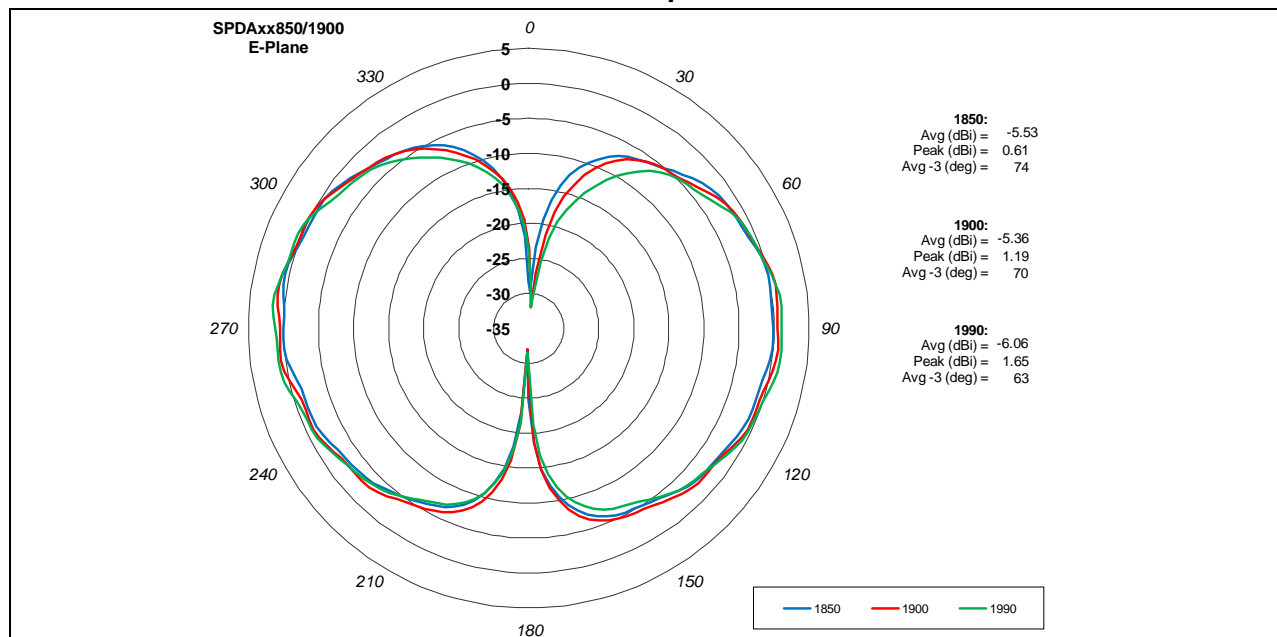
SMA SPIN CONNECTOR

Series : ANTENNA

Vertical plane



Vertical plane



Issue: 1311

In the effort to improve our products, we reserve the right to make changes judged to be necessary.

CONFIDENTIAL AND PROPRIETARY INFORMATION

This document contains confidential and proprietary information of Pulse Electronics, Inc. (Pulse) and is protected by copyright, trade secret and other state and federal laws. Its receipt or possession does not convey any rights to reproduce, disclose its contents, or to manufacture, use or sell anything it may describe. Reproduction, disclosure or use without specific written authorization of Pulse is strictly forbidden.





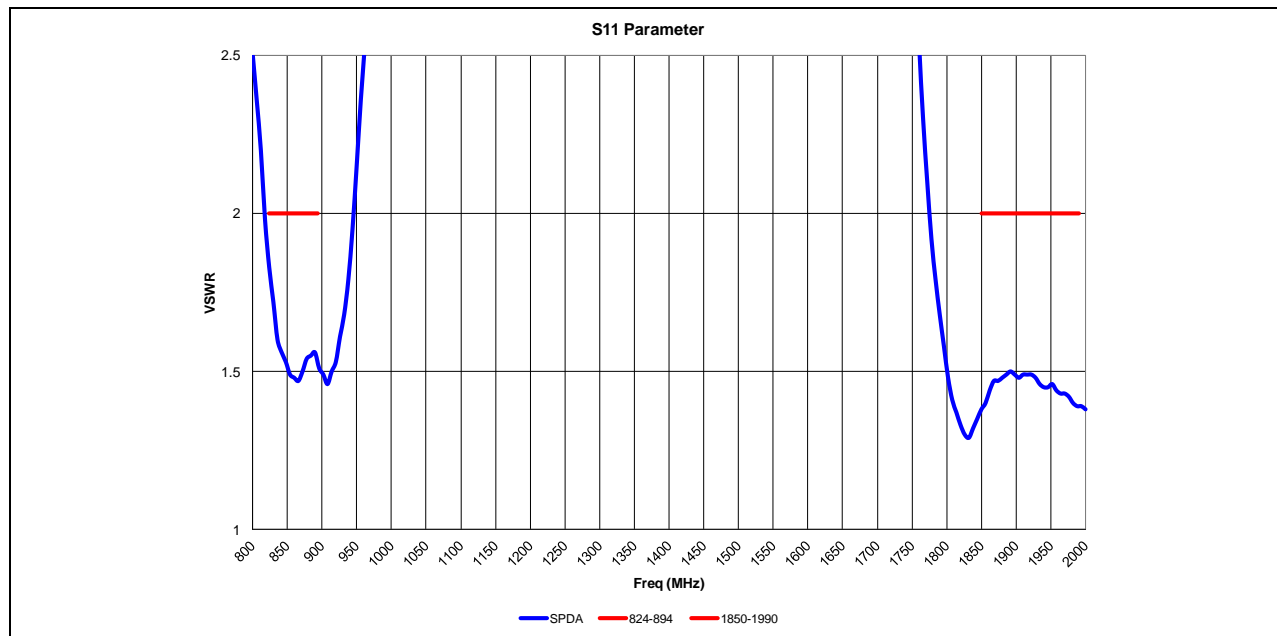
DUAL BAND DIPOLE 824-894/1850-1990MHz

SPDA24850/1900

SMA SPIN CONNECTOR

Series : **ANTENNA**

VSWR



Issue: 1311

In the effort to improve our products, we reserve the right to make changes judged to be necessary.

CONFIDENTIAL AND PROPRIETARY INFORMATION

This document contains confidential and proprietary information of Pulse Electronics, Inc. (Pulse) and is protected by copyright, trade secret and other state and federal laws. Its receipt or possession does not convey any rights to reproduce, disclose its contents, or to manufacture, use or sell anything it may describe. Reproduction, disclosure or use without specific written authorization of Pulse is strictly forbidden.



单击下面可查看定价，库存，交付和生命周期等信息

[>>Pulse\(普思\)](#)