
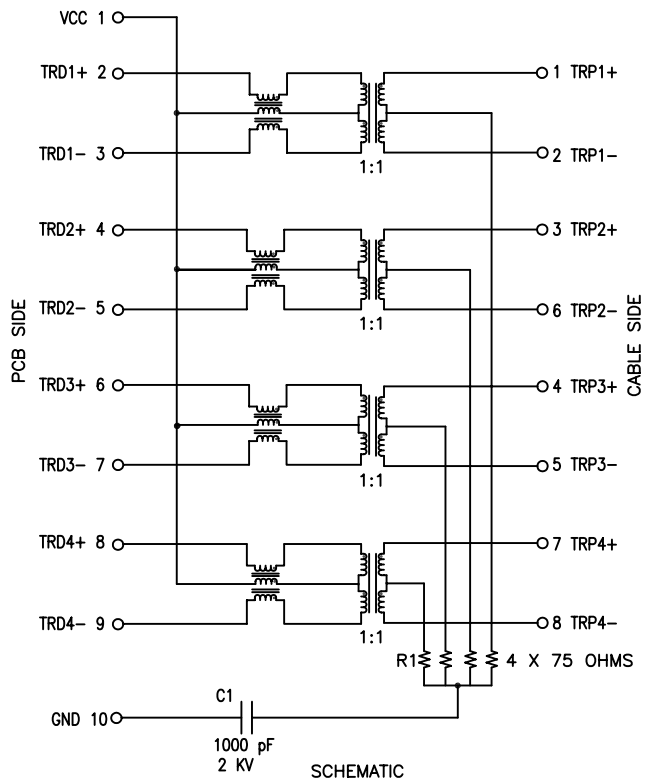


NOTES: UNLESS OTHERWISE SPECIFIED

1.

| | |
|--|--|
| NOTICE: | THIS IS A RoHS COMPLIANT COMPONENT/PRODUCT. ALL ENGINEERING CHANGES MUST HAVE PRIOR APPROVAL BY THE DESIGN CENTER. |
| RoHS  | |

2. PLASTIC HOUSING: THERMOPLASTIC MATERIAL WITH FLAMMABILITY RATING UL 94V-0 OR BETTER.
3. CONTACT BASE MATERIAL: PHOSPHOR BRONZE.
4. CONTACTS UNDERPLATE: 30-50 MICROINCHES DUCTILE NICKEL.
5. CONTACTS PLATING: 15 MICROINCHES GOLD PLATING.
6. SOLDER TAIL PLATING MATERIAL: 150-300 MICROINCHES 100% TIN, MATTE FINISH.
7. METAL SHIELD: NICKEL PLATING ON COPPER ALLOY.
8. JACK CAVITY CONFORMS TO FCC RULES AND REGULATIONS PART 68 SUBPART F.
9. PCB PLATING: EG.
10. SOLDERABILITY: CONFORMS TO ANSI/J-STD-002, IPC/EIA J-STD-003A.
11. OPERATING TEMPERATURE: 0°C TO +70°C
12. STORAGE TEMPERATURE: -20°C TO +125°C
13. JEDEC MOISTURE: LEVEL 1.
14. DIMENSIONS ARE IN INCHES [MILLIMETERS] WITH THE FOLLOWING TOLERANCES: [MILLIMETERS] ARE FOR REFERENCE ONLY.
.XX = ±0.02 [±0.5]
.XXX = ±0.010 [±0.25]
15. REVISION: MX1, MX2, ARE PRELIMINARY.

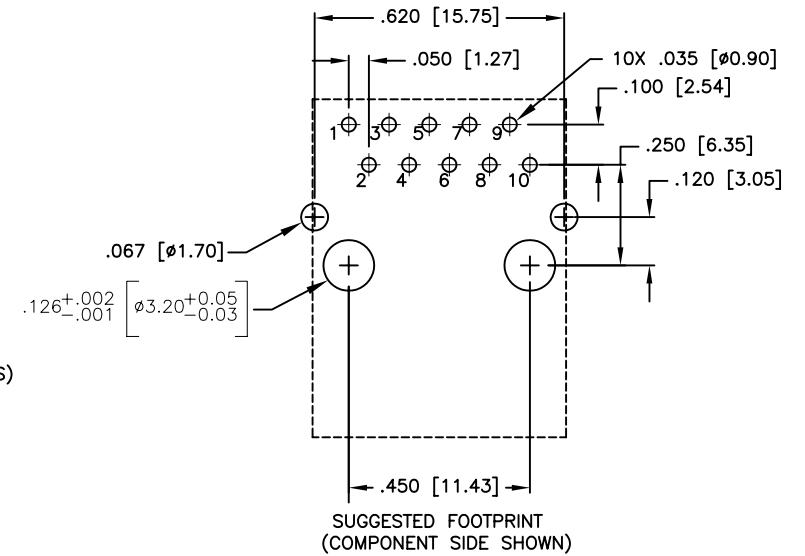
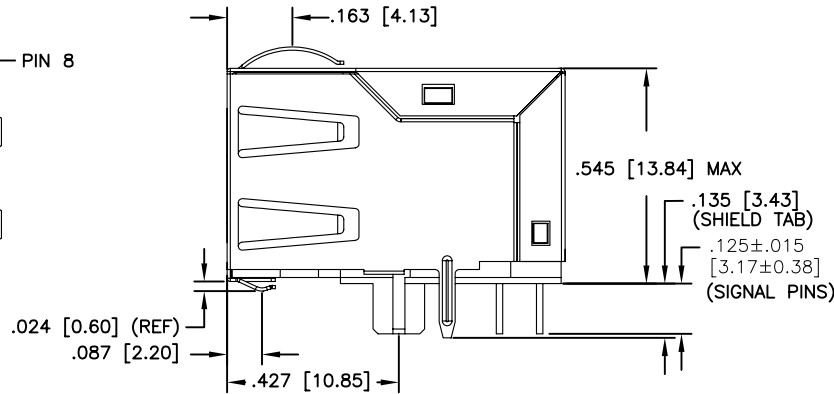
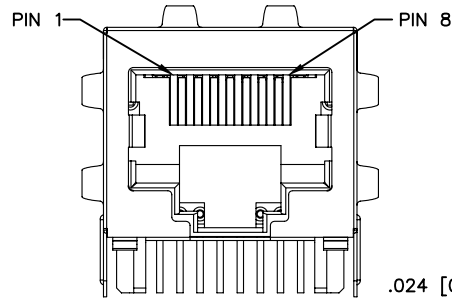
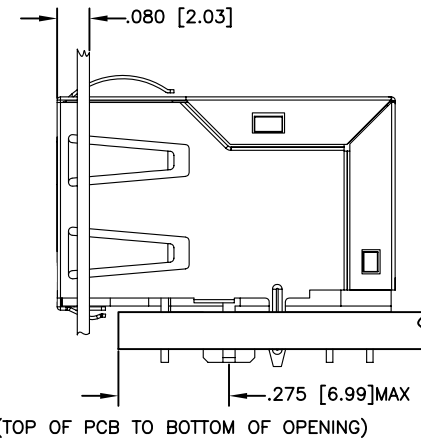
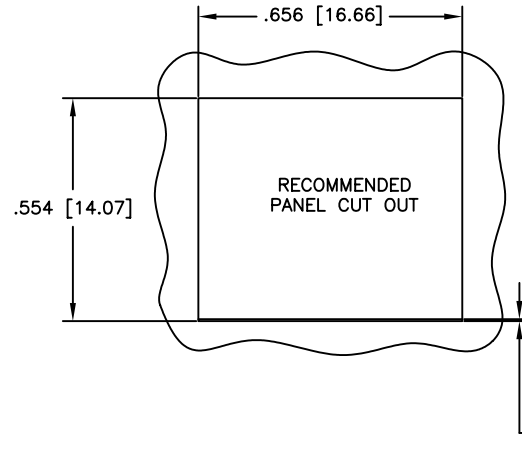
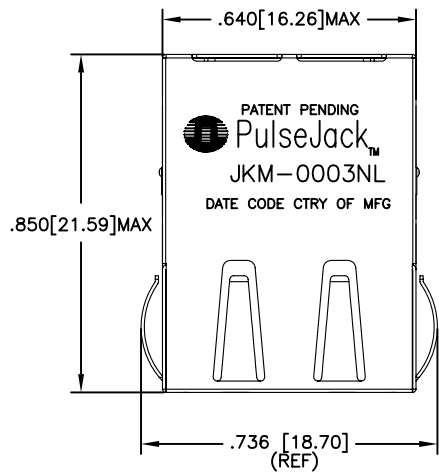


ELECTRICAL CHARACTERISTICS AT +25°C UNLESS OTHERWISE SPECIFIED (FOR REFERENCE ONLY. USED FOR CUSTOMER INFORMATION.)

| PARAMETER | SPECIFICATION | |
|---|---|--|
| OPERATING TEMP | 0°C - 70 °C | |
| TURNS RATIO | 1.00 ± 2% | |
| POLARITY | PER SCHEMATIC | |
| INSERTION LOSS | 100 KHz | 1-125 MHz |
| | -1.2 dB MAX | -0.2-0.002*f ^{1.4} dB MAX |
| RETURN LOSS (Z OUT=100 OHM ±15%) | .1-40 MHz | 40-100 MHz |
| | -16 dB MIN | -10+20*LOG ₁₀ (f/80 MHz) dB MIN |
| INDUCTANCE (OCL) (MEDIA SIDE, 0°C-70°C) | 350 uH MIN (MEASURED AT 100 KHz, 100 mVRMS AND WITH 8 mA DC BIAS) | |
| | 1 MHz | 10-100 MHz |
| CROSSTALK, ADJACENT CHANNELS | -50 dB MIN | -55+22*LOG ₁₀ (f/10) dB MIN |
| | 2 MHz | 30-200 MHz |
| COMMON MODE REJECTION RATIO | -50 dB MIN | -20+20*LOG ₁₀ (f/200) dB MIN |
| | .65 OHMS MAX | |
| DC RESISTANCE, 1/2 WINDING | .65 OHMS MAX | |
| DC RESISTANCE IMBALANCE | ±.065 OHMS MAX (CENTER TAP SYMMETRY) | |
| INPUT - OUTPUT ISOLATION | 2250 VDC FOR 60 SECONDS | |

NOTE: f IS FREQUENCY IN MHZ.

| | | | | | |
|----------------------------------|---------------------|----------------|--------|--------------------|------|
| PULSE CONFIDENTIAL & PROPRIETARY | PRODUCT DESCRIPTION | PS DRAWING | SHEET: | DWG. NO./ PART NO. | REV. |
| | CONN,F | PS-2582.003-01 | 1 | JKM-0003NL | MX1 |



© Copyright, 2010. Pulse Engineering, Inc. All rights reserved. Drawing specifications subject to change without notice. (04/14/10)

PULSE CONFIDENTIAL
&
PROPRIETARY

PRODUCT DESCRIPTION

CONN,F Downloaded From Oneyac.com

PS DRAWING

PS-2582.003-01

SHEET:

2

DWG. NO./ PART NO.

JKM-0003NL

REV.

MX1

单击下面可查看定价，库存，交付和生命周期等信息

[>>Pulse\(普思\)](#)