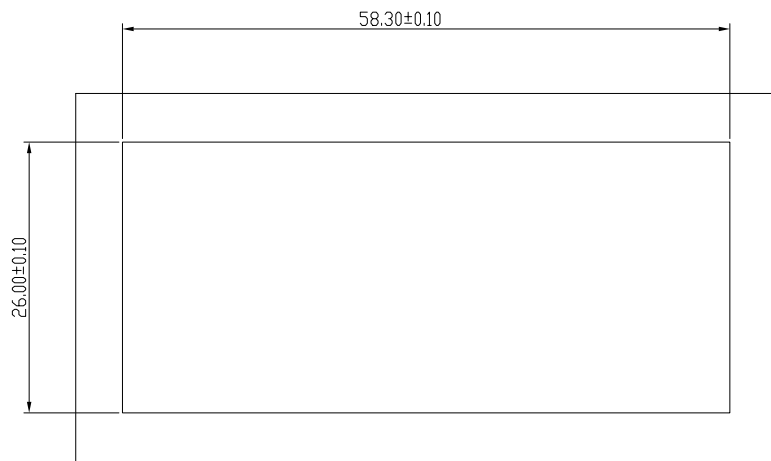
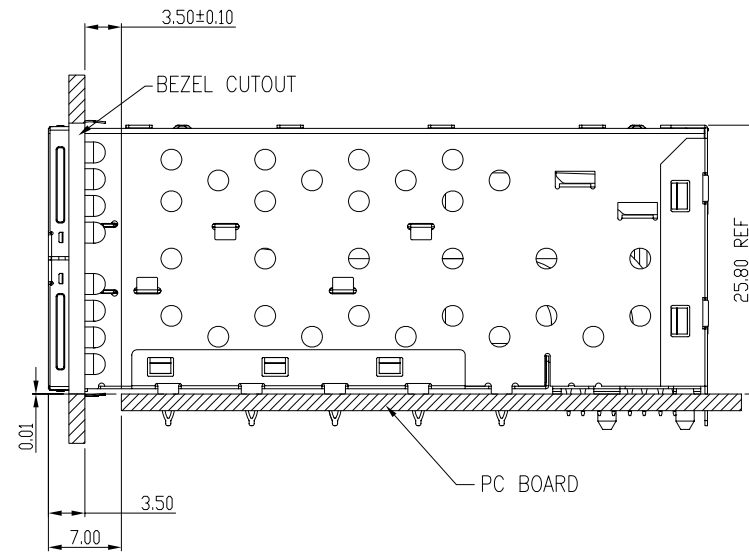


Qty Per:	TRAY	CARTON		
	6	36		
PART NUMBER	STATEMENT			
SFPP-3120-L	SFP PLUS/INNER&OUTER LIGHT PIPES			
	SFP PLUS/INNER LIGHT PIPES			
	SFP PLUS/OUTER LIGHT PIPES			
No.	DESCRIPTION	Q'ty	MATERIAL	PLATING
01	SFP CAGE (Non-Logo)	1	COPPER ALLOY	
02	CONNECTOR	4	HIGH TEMP/COPPER ALLOY	GOLD
03	LIGHT PIPES	4	POLYCARBONITE	
04	EMI TAB	1	COPPER ALLOY	

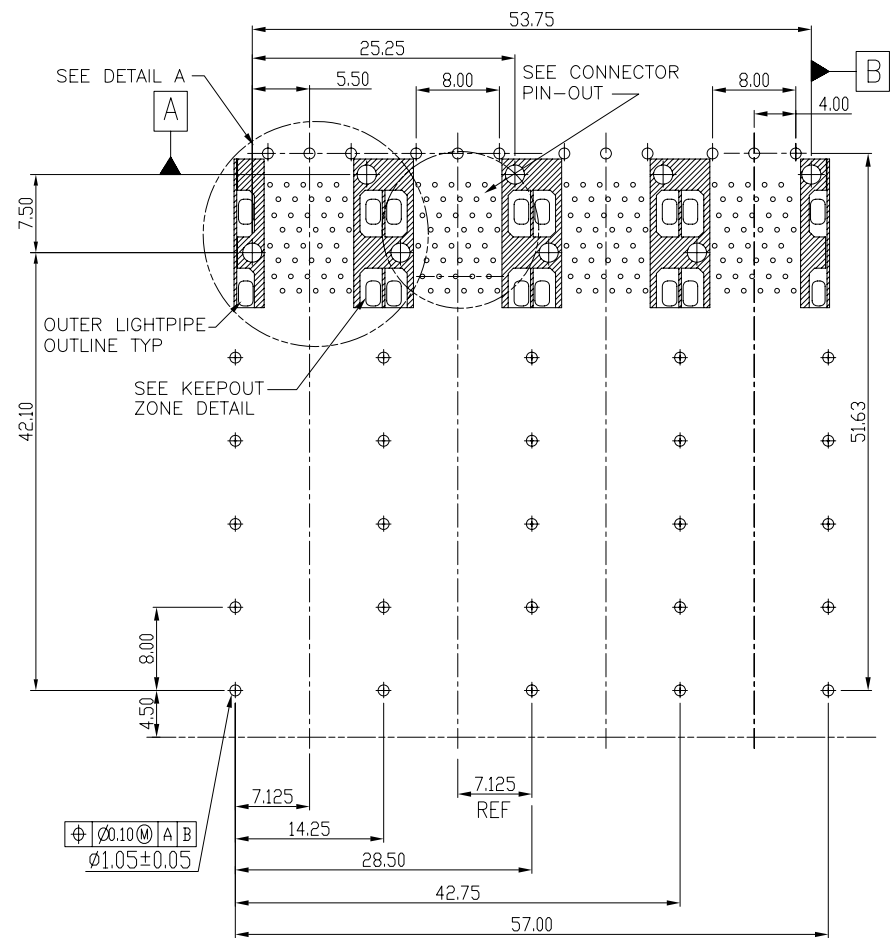
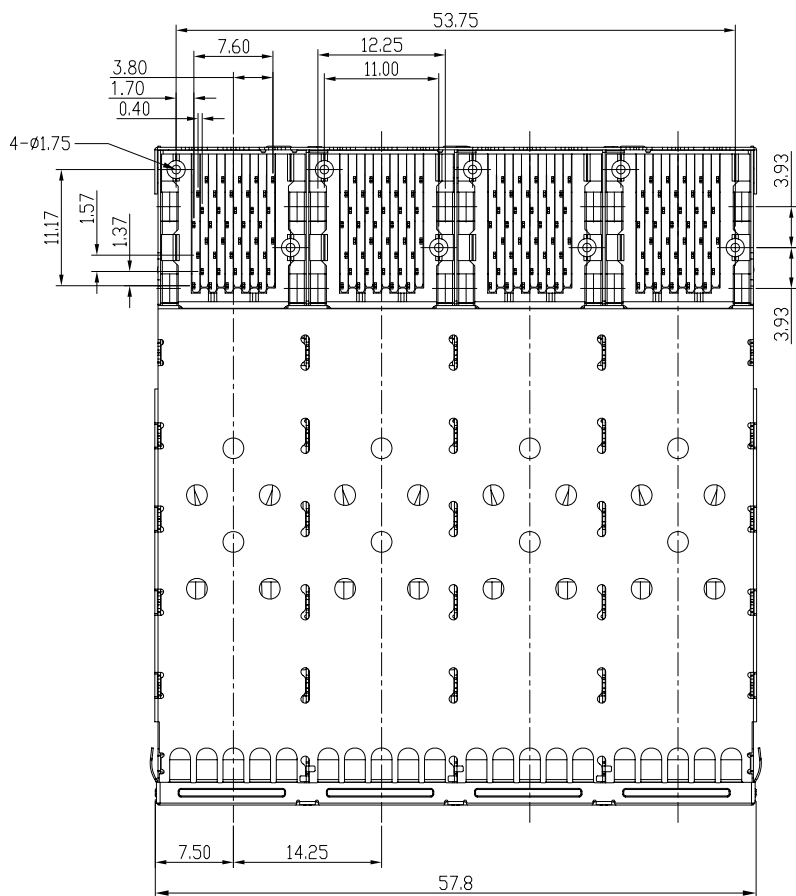
DETACHED LISTS	MM (INCH)	RoHS Compliant		Pulse A TECHNITROL COMPANY				
	TOLERANCES EXCEPT AS NOTED	TITLE				W/LIGHT PIPES&EMI_TAB		
	MM	.0 ± 0.25	±	SFP PLUS 2 BY 4 CAGE+CONNECTOR_P				
		.00 ± 0.20	±					
		.000 ± 0.10	±					
	ANGLES ± 0.5	DFTD Jack				DRAWING NO. CSFPP-3120-L	SIZE	REV
		DATE 9/16/08				/PART NO. SFPP-3120-L	A3	1
	THIRD ANGLE PROJECTION	SCALE : 2:1				DO NOT SCALE DRAWING	SHEET 1	OF 4



BEZEL CUT-OUT CENTER SPACING DETAIL
BEZEL THICKNESS:0.8-2.6

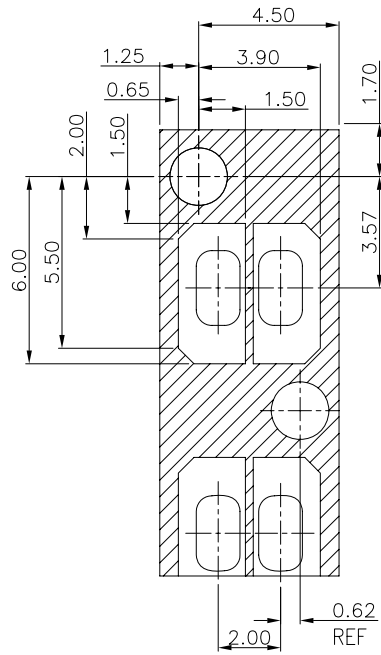


MM (INCH)		RoHS Compliant			
TOLERANCES EXCEPT AS NOTED		TITLE SFP PLUS 2 BY 4 CAGE+CONNECTOR_P W/LIGHT PIPES&EMI_TAB			
DETACHED LISTS	MM				
	.0 ± 0.25	±			
	.00 ± 0.20	±			
	.000 ± 0.10	±			
ANGLES ± 0.5					
 THIRD ANGLE PROJECTION		DFTD Jack DATE 9/16/08'	DRAWING NO. CSFPP-3120-L /PART NO. SFPP-3120-L	SIZE A3	REV 1
		SCALE : 2:1	DO NOT SCALE DRAWING	SHEET 2	OF 4

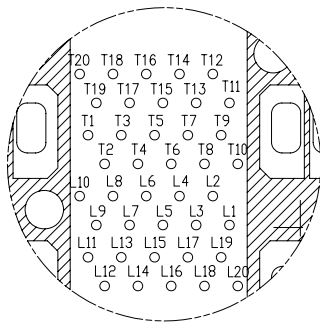


$\text{Ø} \phi 0.10 \text{ @ } A/B$
 $\phi 1.05 \pm 0.05$

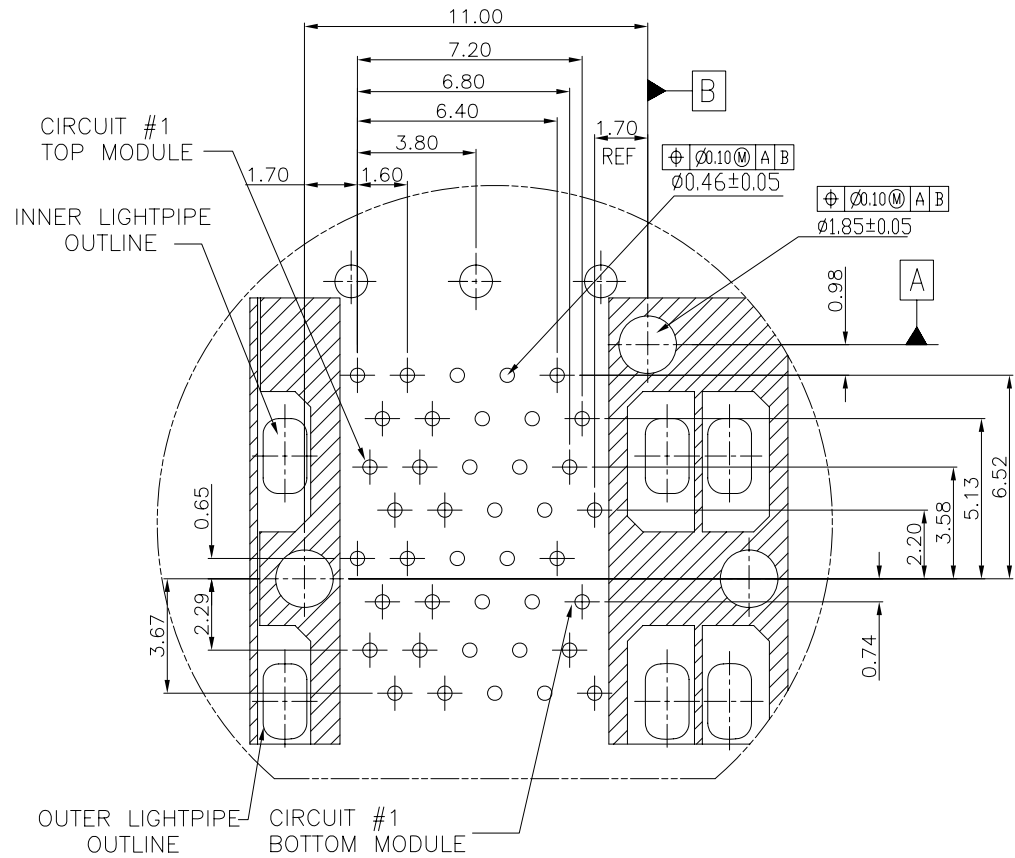
MM (INCH)		RoHS Compliant			
TOLERANCES EXCEPT AS NOTED MM .0 ± 0.25 ± .00 ± 0.20 ± .000 ± 0.10 ±		TITLE W/LIGHT PIPES&EMI_TAB SFP PLUS 2 BY 4 CAGE+CONNECTOR_P			
ANGLES ± 0.5		DFTD Jack DATE 9/16/08'		DRAWING NO. CSFPP-3120-L /PART NO. SFPP-3120-L	
 THIRD ANGLE PROJECTION		SCALE : 2:1		DO NOT SCALE DRAWING	
		SHEET 3 OF 4		SIZE A3 REV 1	



KEEP-OUT ZONE DETAIL
SCALE 6:1



CONNECTOR PIN-OUT
COMPONENT SIDE OF BOARD



DETAIL A
SCALE 6:1

		RoHS Compliant			
TOLERANCES EXCEPT AS NOTED: MM .0 ± 0.25 ± .00 ± 0.20 ± .000 ± 0.10 ± ANGLES ± 0.5		TITLE SFP PLUS 2 BY 4 CAGE+CONNECTOR_P W/LIGHT PIPES&EMI_TAB			
DETACHED LISTS 		DFTD Jack DATE 9/16/08'		DRAWING NO. CSFPP-3120-L /PART NO. SFPP-3120-L	
THIRD ANGLE PROJECTION		SCALE : 2:1		DO NOT SCALE DRAWING	
				SIZE A3	REV 1
				SHEET 4	OF 4

单击下面可查看定价，库存，交付和生命周期等信息

[>>Pulse\(普思\)](#)