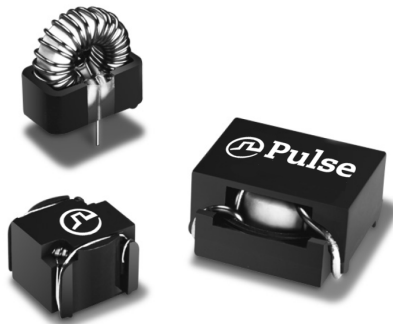


# THT/SMT Power Inductors

Toroid - Designed for National's 260kHz Simple Switcher™



- Ⓟ Tested and recommended by National Semiconductor for the LM267X series
- Ⓟ Base material meets flammability requirements of UL94V-0
- Ⓟ Available in surface mount and through hole versions

Electrical Specifications @ 25°C - Operating Temperature -40°C to +130°C<sup>7</sup>

Pulse <sup>5</sup> THT Part Number	Pulse <sup>4,5</sup> SMT Part Number	National Part Number	In Circuit Operating Parameters <sup>1</sup>			Nominal DCR (Ω)	Package		
			Nominal Inductance (μH)	Rated Current (A <sub>DC</sub> )	Max <sup>2</sup> E <sub>Top</sub> (V-μsec)		Through Hole	Surface Mount	Lead Diameter
P0841NL	-	LM267X-41	22.8	4.9	23.3	.036	KM-3.0	-	.035
P0845NL	-	LM267X-45	10.2	4.3	10.0	.026	KM-1.1	-	.031
P0846NL	-	LM267X-46	14.8	5.0	17.0	.023	KM-2.1	-	.035
P0847NL	-	LM267X-47	10	5.0	13.0	.025	KM-2.0	-	.031
P0848NL	-	LM267X-48	50	5.0	40.0	.050	KM-4.0	-	.039
P0849NL	-	LM267X-49	33	5.0	36.0	.047	KM-4.0	-	.035
P0850NL	-	LM267X-50	23	5.0	24.0	.026	KM-3.0	-	.043
-	P0841SNL	LM267X-41	22.8	4.9	23.3	.036	-	HCI-68	-
-	P0845SNL	LM267X-45	10	4.3	10.0	.050	-	LCI-44	-
-	P0846SNL	LM267X-46	15	5.0	17.0	.027	-	LCI-50	-
-	P0847SNL	LM267X-47	11	5.0	13.0	.025	-	LCI-50	-
-	P0848SNL	LM267X-48	52 <sup>6</sup>	5.0	40.0	.025	-	Bigfoot	-
-	P0849SNL	LM267X-49	36 <sup>6</sup>	5.0	36.0	.019	-	Bigfoot	-
-	P0850SNL	LM267X-50	24.7 <sup>6</sup>	5.0	24.0	.013	-	Bigfoot	-

**Notes:**

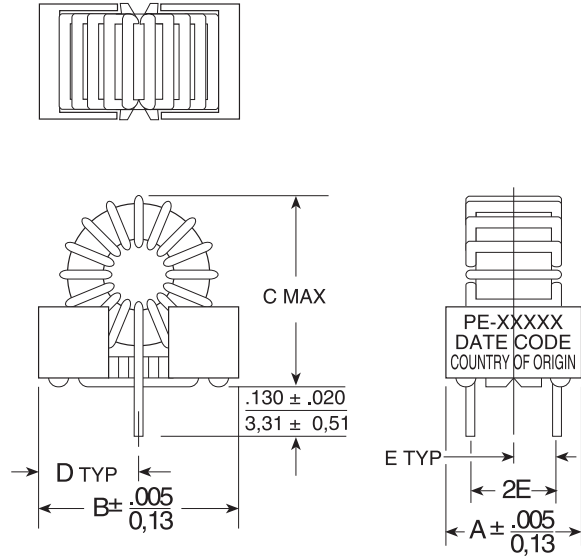
1. Inductance values may vary ±20%.
2. E<sub>Top</sub> rated at 260kHz.
3. SIMPLE SWITCHER™ is a trademark of National Semiconductor Corporation.
4. For SMT parts, optional Tape & Reel packaging can be ordered by adding a "T" suffix to the part number (i.e. P0841SNL becomes P0841SNLT). Pulse complies to industry standard tape and reel specification EIA481.
5. The "NL" suffix indicates an RoHS-compliant part number. Non-NL suffixed parts are not necessarily RoHS-compliant, but are electrically and mechanically equivalent to NL versions. If a part number does not have the "NL" suffix, but an RoHS compliant version is required, please contact Pulse for availability.
6. Series connection (pins 2-4 connected)
7. The temperature of the component (ambient plus temperature rise) must be within the stated operating temperature range.

# THT/SMT Power Inductors

Toroid - Designed for National's 260kHz Simple Switcher™

## Mechanicals

### KlipMount™ Series

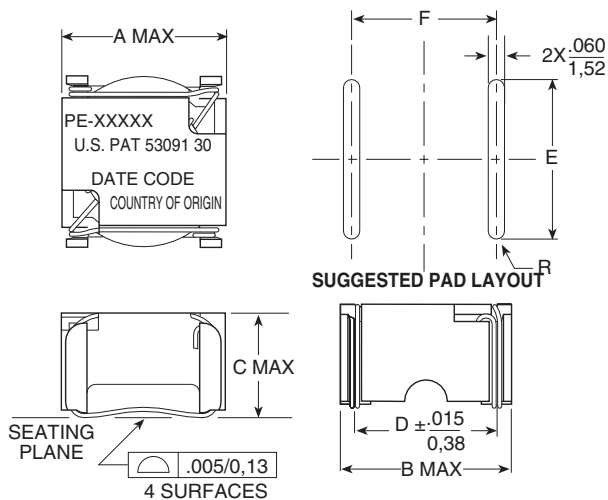


PKG	A	B	C	D	E
KM-1.1	.350	.580	.715	.290	.110
	8,89	14,74	18,17	7,37	2,80
KM-2.0	.450	.650	.700	.325	.150
	11,43	21,08	17,78	8,26	3,81
KM-2.1	.460	.670	.750	.335	.150
	11,69	17,02	19,05	8,51	3,81
KM-3.0	.450	.830	.950	.415	.150
	11,43	21,09	24,13	10,55	3,81
KM-4.0	.600	.950	1.350	.475	.225
	15,24	24,13	34,29	12,07	5,72

Dimensions:  $\frac{\text{Inches}}{\text{mm}}$   
 Unless otherwise specified,  
 all tolerances are:  $\pm \frac{.010}{0,25}$

## Mechanicals

### LCI Series



PKG	A	B	C	D	F	G
LCI-44	.600	.620	.390	.500	.550	.510
	15,24	15,75	9,91	12,70	13,97	12,95
LCI-50	.670	.700	.390	.580	.620	.590
	17,02	17,78	9,91	14,74	15,75	14,99

#### Notes:

- Dimension "D" is measured across terminal blocks only.
- Coil must clear seating plane by  $\frac{.010}{0,25}$  MIN

	LCI-44	LCI-50
Weight .....	3.6 grams	4.8 grams
Tape & Reel .....	200/reel	200/reel
Tube .....	30/tube	30/tube

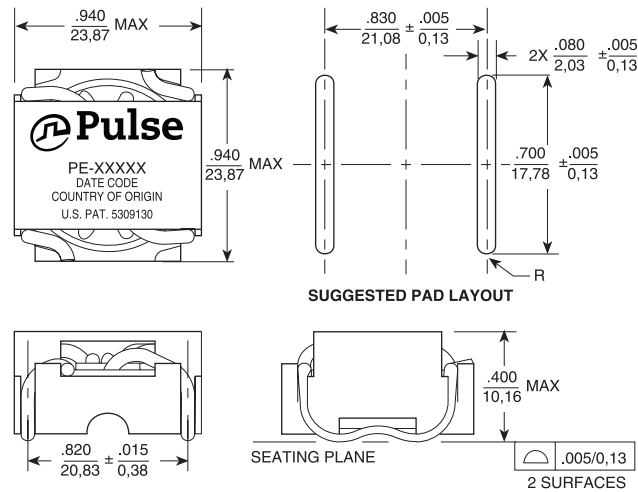
# THT/SMT Power Inductors

Toroid - Designed for National's 260kHz Simple Switcher™



## Mechanicals

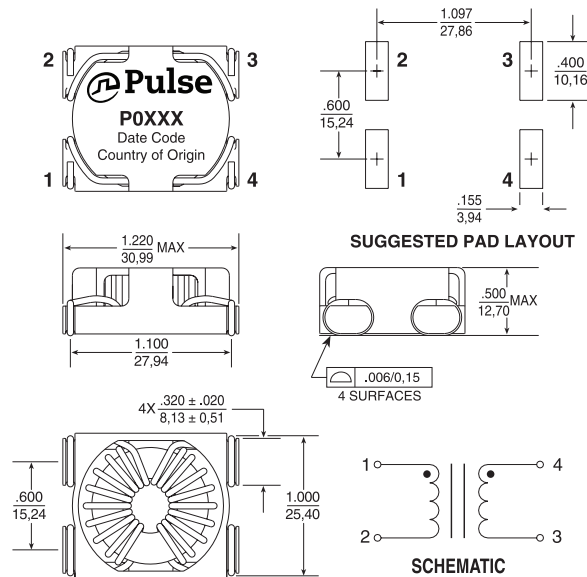
HCI-68



Weight ..... 12.1 grams  
Tape & Reel .....100/reel  
Tube .....40/tube

## Mechanicals/Schematic

Bigfoot



Weight .....18grams  
Tape & Reel .....20/reel  
Tube .....75/tube

## For More Information

### Pulse Worldwide Headquarters

15255 Innovation Drive Ste 100  
San Diego, CA 92128  
U.S.A.

### Pulse Europe

Pulse Electronics GmbH  
Am Rottland 12  
58540 Meinerzhagen  
Germany

### Pulse China Headquarters

Pulse Electronics (ShenZhen) CO., LTD  
D708, Shenzhen Academy of  
Aerospace Technology,  
The 10th Keji South Road,  
Nanshan District, Shenzhen,  
P.R. China 518057

### Pulse North China

Room 2704/2705  
Super Ocean Finance Ctr.  
2067 Yan An Road West  
Shanghai 200336  
China

### Pulse South Asia

3 Fraser Street 0428  
DUO Tower  
Singapore 189352

### Pulse North Asia

1F., No.111 Xiyuan Road  
Zhongli District  
Taoyuan City 32057  
Taiwan (R.O.C)

Tel: 858 674 8100  
Fax: 858 674 8262

Tel: 49 2354 777 100  
Fax: 49 2354 777 168

Tel: 86 755 33966678  
Fax: 86 755 33966700

Tel: 86 21 62787060  
Fax: 86 2162786973

Tel: 65 6287 8998  
Fax: 65 6280 0080

Tel: 886 3 4356768  
Fax: 886 3 4356820

Performance warranty of products offered on this data sheet is limited to the parameters specified. Data is subject to change without notice. Other brand and product names mentioned herein may be trademarks or registered trademarks of their respective owners. © Copyright, 2019. Pulse Electronics, Inc. All rights reserved.

单击下面可查看定价，库存，交付和生命周期等信息

[>>Pulse\(普思\)](#)