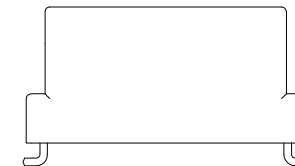
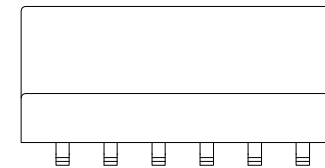
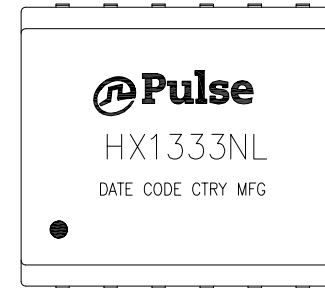




NOTES:

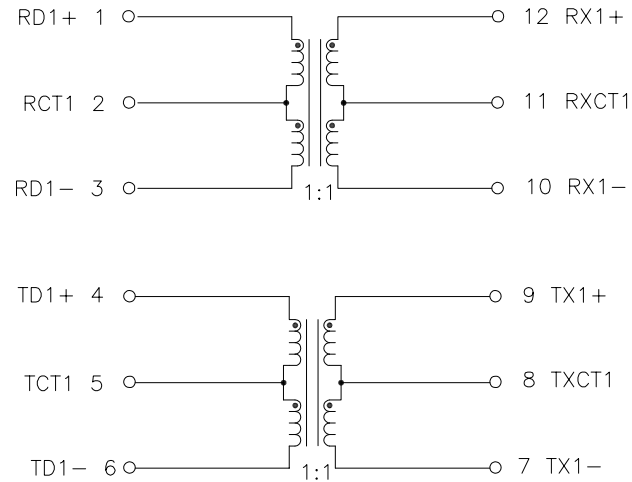
1. ROHS COMPLIANT
2. HEADER: THERMOSET PLASTIC MATERIAL FLAMMABILITY RATING UL 94V-0 OR BETTER.
3. STORAGE TEMPERATURE: -50°C TO +125°C
4. COMPLIANCE TO J-STD:
 - A. J-STD-002: SOLDERABILITY AT 245°C REFLOW PROFILE
 - B. J-STD-020: LEVEL 1, NO MOISTURE SENSITIVE
 - C. J-STD-075: R7, 245°C MAXIMUM THROUGH REFLOW SOLDER
5. TO ORDER TAPE & REEL PACKAGING ADD A "T" SUFFIX TO THE PART NUMBER(i.e HX1333NL BECOMES HX1333NLT).
6. PACKING SPECIFICATION:
 REEL SIZE: 330 mm
 TAPE WIDTH: 32 mm
 TAPE PITCH: 24mm
 COMPONENTS PER REEL: 240 pcs



FINAL OUTLINE

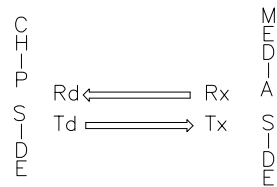
© Copyright, 2017. Pulse Electronics Corp. All rights reserved. Pulse confidential & proprietary. (07/28/17)

PRODUCT DESCRIPTION	TLA DRAWING	PS DRAWING	SHEET	PART NO.	DATASHEET REV.
MDL,SIN,100D,1:1,SM,TU	HX1333NL-10	PS-2840.001-A	1 OF 4	HX1333NL	C



SCHEMATIC

LEGEND



ALL CHANNELS ARE
IN-PHASE BETWEEN
INPUT AND OUTPUT

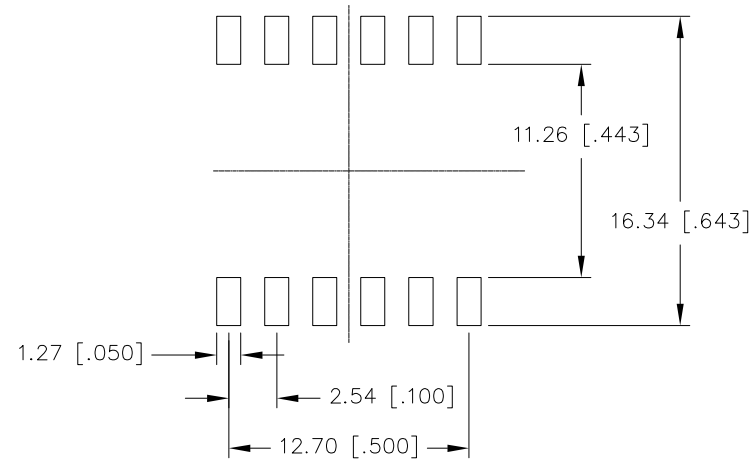
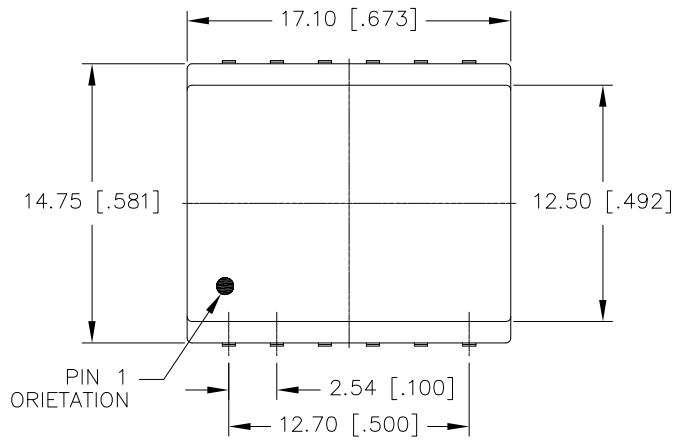
ELECTRICAL CHARACTERISTICS AT +25°C UNLESS OTHER SPECIFIED
MEETS IEEE 802.3 SPECIFICATION

PARAMETER	SPECIFICATIONS
OPERATION TEMP	-40°C TO +85°C
URNS RATIO	1 : 1 ±2%
POLARITY	PER SCHEMATIC
INDUCTANCE (OCL) (MEDIA SIDE, -40°C~+85°C)	350 uH MIN. AT 100KHz, 0.1VRMS WITH 8mA DC BIAS
LEAKAGE INDUCTANCE	0.8 uH MAX AT 100KHz, 0.02VRMS
CWW	15 pF MAX AT 100KHz, 0.02VRMS
CROSSTALK (TX-RX)	30-100 MHz
	-40 dB MIN
DC RESISTANCE	0.9 OHMS MAX
IMPULSE	12000V MIN
INPUT - OUTPUT ISOLATION	4500 VRMS FOR 1 MINUTE

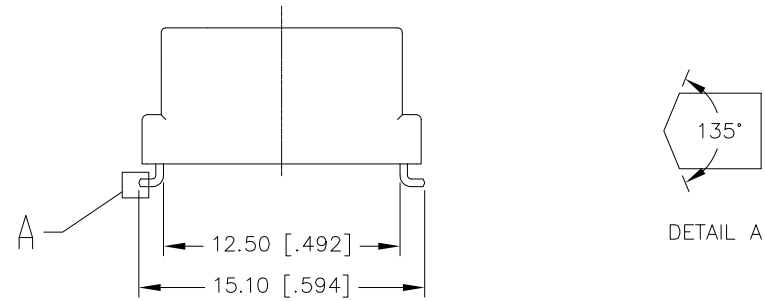
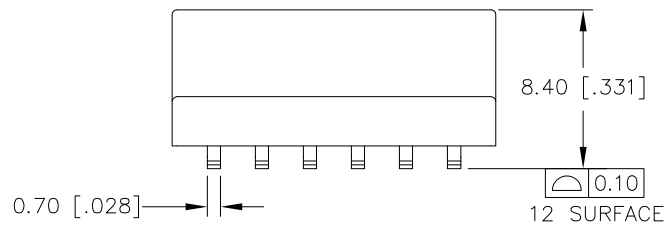
NOTE: f IS FREQUENCY IN MHZ.

© Copyright, 2017. Pulse Electronics Corp. All rights reserved. Pulse confidential & proprietary. (07/28/17)

PRODUCT DESCRIPTION	TLA DRAWING	PS DRAWING	SHEET	PART NO.	DATASHEET REV.
MDL,SIN,100D,1:1,SM,TU	HX1333NL-10	PS-2840.001-A	2 OF 4	HX1333NL	C



SUGGESTED LAND PATTERN

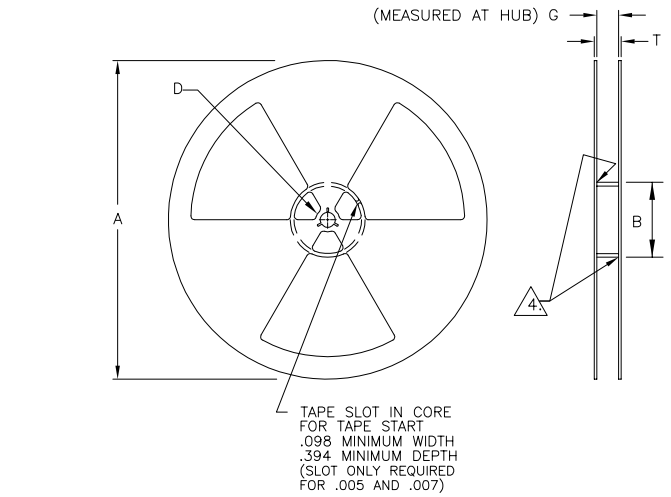
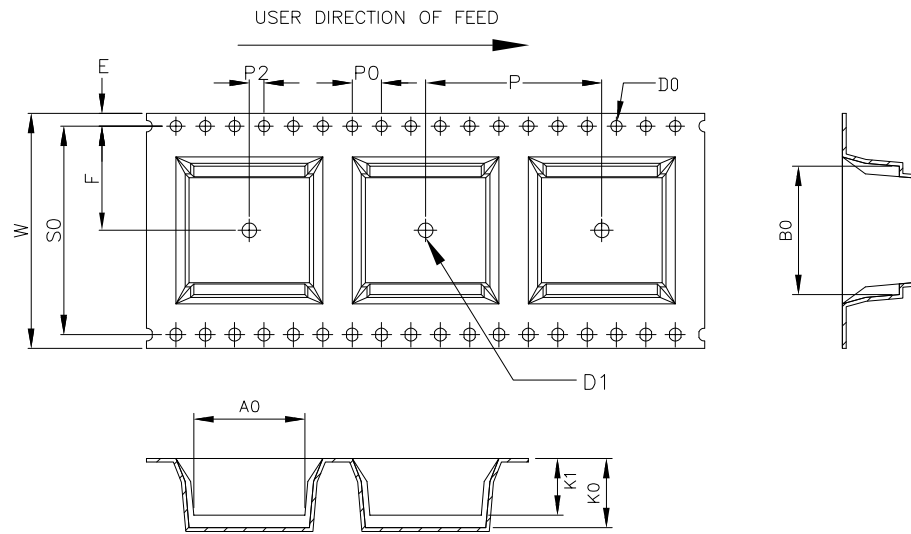


DETAIL A

DIMENSIONS ARE IN MILLIMETERS [INCHES] WITH THE FOLLOWING TOLERANCES: [INCHES] ARE FOR REFERENCE ONLY
 .XX= ±0.25 [.010]
 .XXX= ±0.13 [.005]

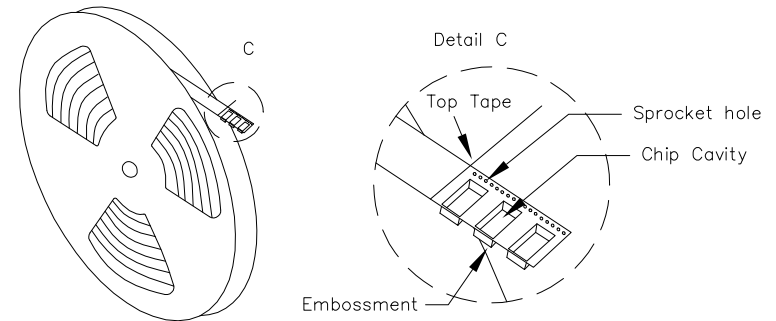
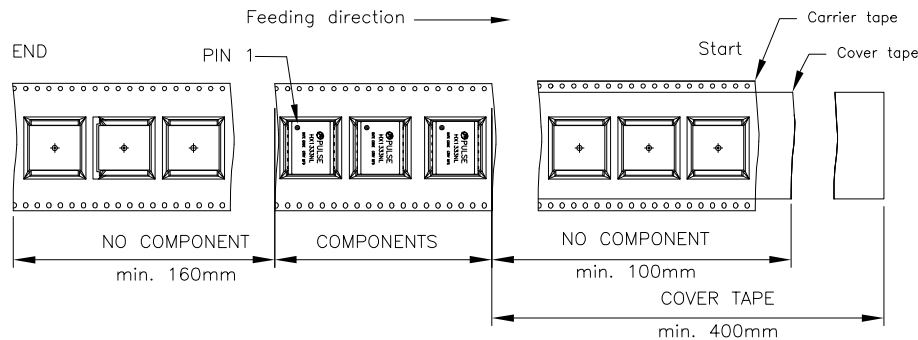
© Copyright, 2017. Pulse Electronics Corp. All rights reserved. Pulse confidential & proprietary. (07/28/17)

PRODUCT DESCRIPTION	TLA DRAWING	PS DRAWING	SHEET	PART NO.	DATASHEET REV.
MDL,SIN,100D,1:1,SM,TU	HX1333NL-10	PS-2840.001-A	3 OF 4	HX1333NL	C



ITEM	W	Ao	Bo	Ko	K1	P	F	E	S0	Do	D1	Po	P2	T
DIM	32.00 ±0.30	15.15 ±0.10	17.5 ±0.10	9.45 ±0.10	7.75 ±0.10	24.00 ±0.10	14.2 ±0.15	1.75 ±0.10	28.4 ±0.10	1.50 ±0.10 -0.00	2.0min	2.00 ±0.15	0.50 ±0.05	0.50 ±0.05

	A	B	D	T	G	G
Tolerance		min.	min.	max.	min.	max.
Tape width	mm	330.00	100.00	20.20	38.4	32.4



DIMENSIONS ARE IN MILLIMETERS

© Copyright, 2017. Pulse Electronics Corp. All rights reserved. Pulse confidential & proprietary. (07/28/17)

PRODUCT DESCRIPTION	TLA DRAWING	PS DRAWING	SHEET	PART NO.	DATASHEET REV.
MDL,SIN,100D,1:1,SM,TU	HX1333NL-10	PS-2840.001-A	4 OF 4	HX1333NL	C

单击下面可查看定价，库存，交付和生命周期等信息

[>>Pulse\(普思\)](#)