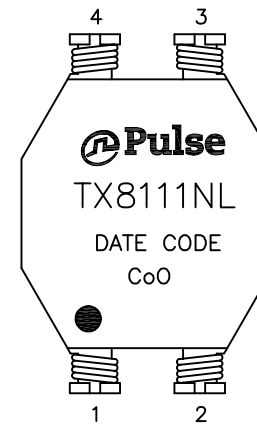
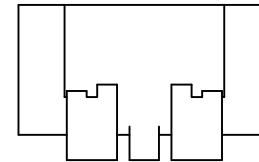
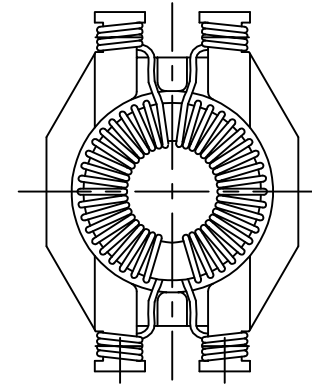


NOTES:

1. ROHS COMPLIANT
2. PLASTIC: THERMOPLASTIC MATERIAL WITH FLAMMABILITY RATING UL 94V-0 OR BETTER.
3. STORAGE TEMPERATURE: -50°C TO +125°C
4. COMPLIANCE TO J-STD:
 - A. J-STD-002: SOLDERABILITY AT 245°C REFLOW PROFILE
 - B. J-STD-020: LEVEL 1, NO MOISTURE SENSITIVE
 - C. J-STD-075: R7, 245°C MAXIMUM THROUGH REFLOW SOLDER
5. TO ORDER TAPE & REEL PACKAGING ADD A "T" SUFFIX TO THE PART NUMBER(i.e TX8111NL BECOMES TX8111NLT).

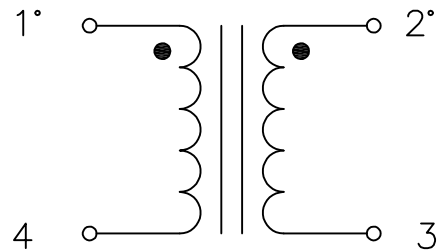


FINAL OUTLINE

© Copyright, 2015. Pulse Electronics Corp. All rights reserved. Pulse confidential & proprietary. (12/23/15)

| PRODUCT DESCRIPTION | TLA DRAWING | PS DRAWING | SHEET | PART NO. | DATASHEET REV. |
|------------------------|-------------|------------|--------|----------|----------------|
| CMI 2 x 51 uH - SHASTA | TX8111NL-11 | - | 1 OF 3 | TX8111NL | A |

ELECTRICAL CHARACTERISTICS MEASURED AT 25°C :
(FOR REFERENCE ONLY. USED FOR CUSTOMER INFORMATION.)

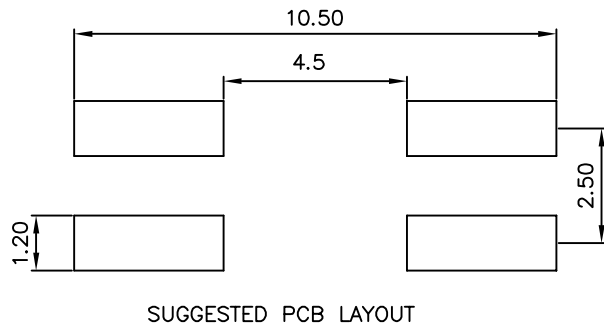


SCHEMATIC

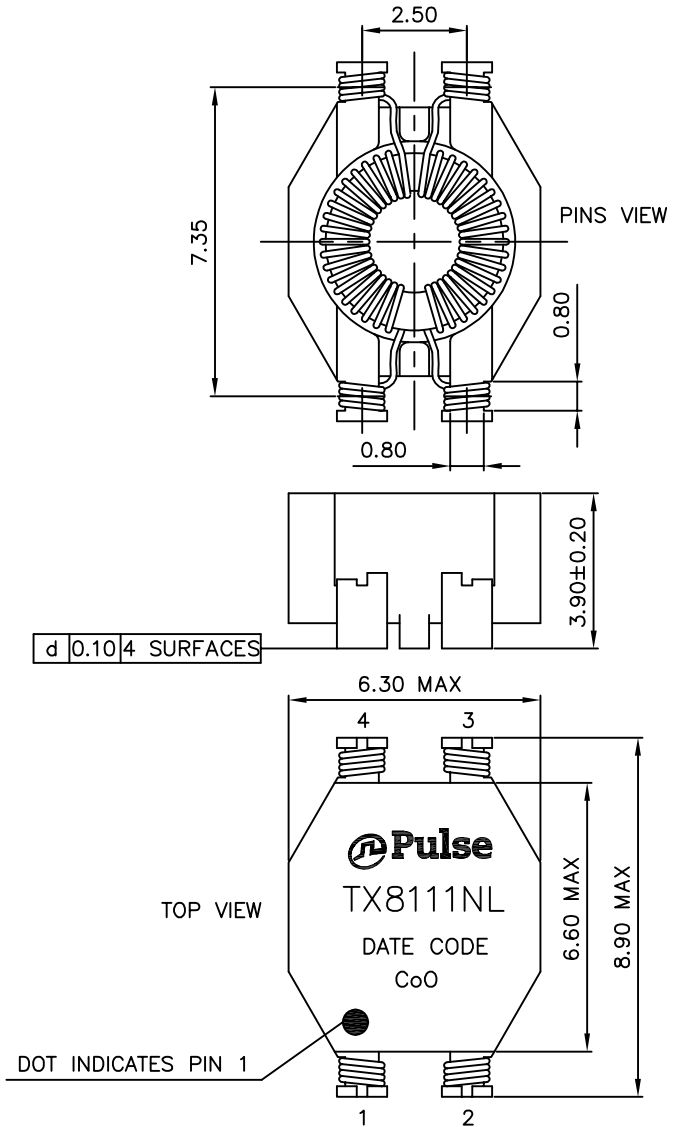
| PARAMETER | SPECIFICATION |
|---|---|
| OPERATING TEMPERATURE | -40°C TO +85°C |
| URNS RATIO @100KHz, 0.1VRMS | $\frac{(1^*-4)}{(2^*-3)} = 1.0 \pm 5\%$ |
| OPEN CIRCUIT INDUCTANCE (OCL) @100KHz, 0.005VRMS | $(1^*-4) = 51\mu\text{H} \begin{matrix} +50\% \\ -30\% \end{matrix}$ |
| LEAKAGE INDUCTANCE (LL): @100 KHz, 0.01 VRMS | (1^*-4) WITH (2^*-3) SHORTED = 2 μH NOMINAL = 3 μH MAXIMUM |
| DCR | $(1^*-4) = (2^*-3) = 0.2 \text{ OHM MAXIMUM.}$ |
| HIPOT | 500 VAC FOR 6 SECONDS |

© Copyright, 2015. Pulse Electronics Corp. All rights reserved. Pulse confidential & proprietary. (12/23/15)

| PRODUCT DESCRIPTION | TLA DRAWING | PS DRAWING | SHEET | PART NO. | DATASHEET REV. |
|-----------------------------------|-------------|------------|--------|----------|----------------|
| CMI 2 x 51 μH - SHASTA | TX8111NL-11 | - | 2 OF 3 | TX8111NL | A |



DIMENSIONS ARE IN MILLIMETERS WITH THE FOLLOWING TOLERANCES:
 X.X= ±0.5
 X.XX= ±0.25



© Copyright, 2015. Pulse Electronics Corp. All rights reserved. Pulse confidential & proprietary. (12/23/15)

| PRODUCT DESCRIPTION | TLA DRAWING | PS DRAWING | SHEET | PART NO. | DATASHEET REV. |
|------------------------|-------------|------------|--------|----------|----------------|
| CMI 2 x 51 uH – SHASTA | TX8111NL-11 | – | 3 OF 3 | TX8111NL | A |

单击下面可查看定价，库存，交付和生命周期等信息

[>>Pulse\(普思\)](#)