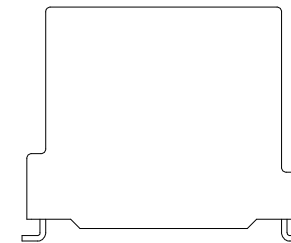
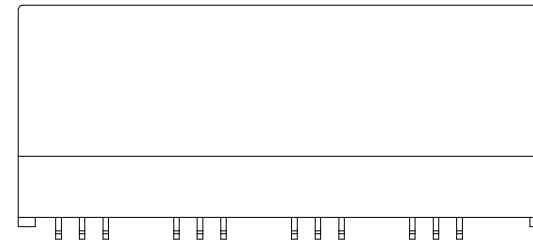
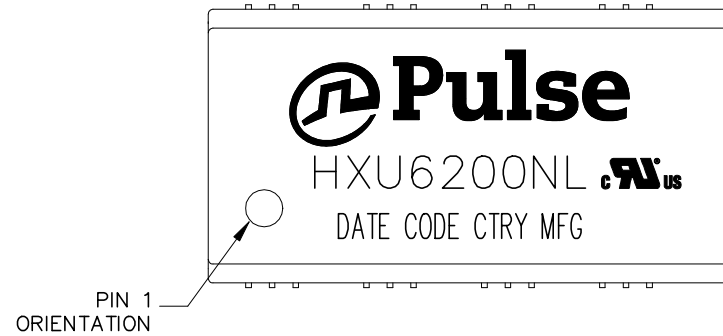




NOTES:

1. ROHS COMPLIANT
2. HEADER: DAP (DIALLYL PHTHALATE) WITH FLAMMABILITY RATING UL 94V-0 OR BETTER.
3. OPERATION TEMPERATURE: -40°C TO +85°C
STORAGE TEMPERATURE: -50°C TO +125°C
4. COMPLIANCE TO J-STD:
 - A. J-STD-002: SOLDERABILITY AT 245°C REFLOW PROFILE
 - B. J-STD-020: LEVEL 1, NO MOISTURE SENSITIVE
 - C. J-STD-075: R7, 245°C MAXIMUM THROUGH REFLOW SOLDER
5. TO ORDER TAPE & REEL PACKAGING ADD A "T" SUFFIX TO THE PART NUMBER(i.e. HXU6200NL BECOMES HXU6200NLT).
6. CERTIFIED UL60601-1 FILE # E133523
INSULATION CLASS REINFORCED
MEANS OF PATIENT PROTECTION 2MOOP
CTI=IIIb, WORKING VOLTAGE =250Vrms/354Vpk
CREEPAGE >4.6mm
CLEARANCE >4.6mm

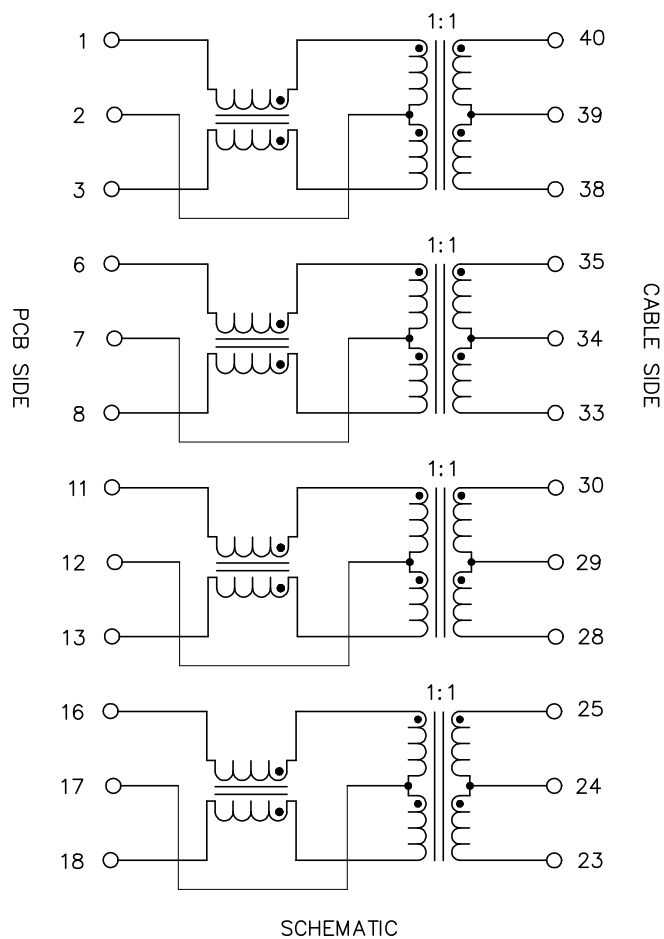
PACKING SPECIFICATION REEL
SIZE: 330mm TAPE
WIDTH: 44.0mm POCKET
PITCH: 24.0mm
COMPONENTS PER REEL: 150



FINAL OUTLINE

© Copyright, 2019. Pulse Electronics Corp. All rights reserved. Pulse confidential & proprietary. (06/05/19)

| PRODUCT DESCRIPTION | TLA DRAWING | PS DRAWING | SHEET | PART NO. | DATASHEET REV. |
|------------------------|--------------|----------------|--------|-----------|----------------|
| MDL,SIN,1GPP,1:1,SM,TU | HXU6200NL-11 | PS-01096.001-A | 1 OF 4 | HXU6200NL | J |

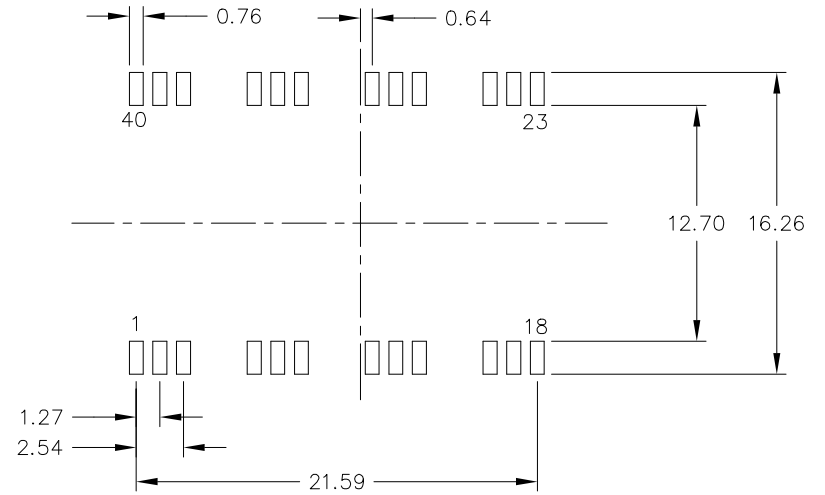
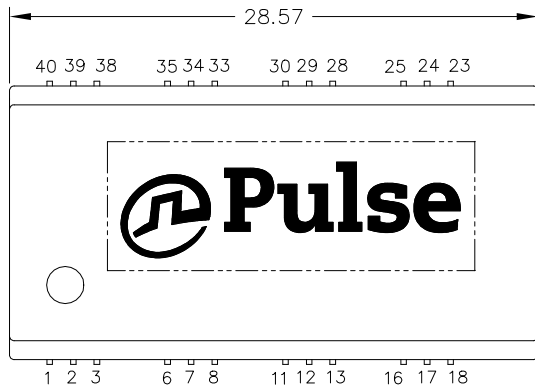


ELECTRICAL CHARACTERISTICS AT +25°C UNLESS OTHERWISE SPECIFIED
(FOR REFERENCE ONLY. USED FOR CUSTOMER INFORMATION.)

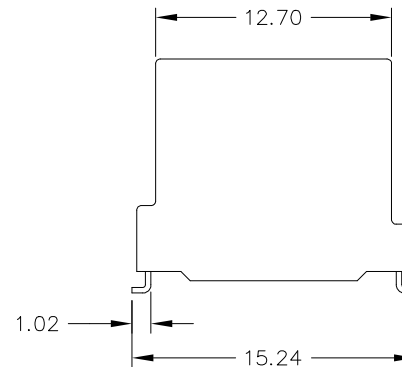
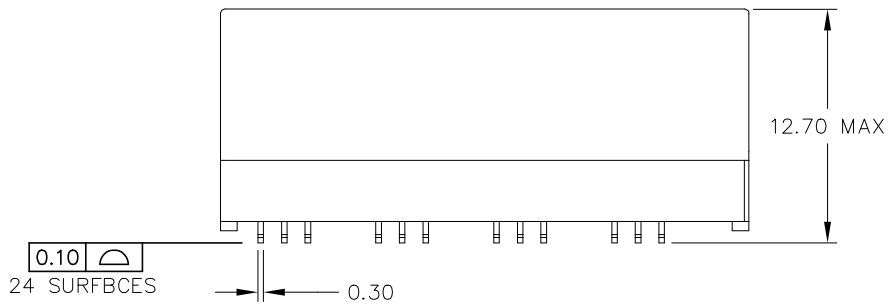
| PARAMETER | SPECIFICATIONS | | | | | |
|--|---|------------|-------------|-------------|-------------|-----------|
| TURNS RATIO | 1 : 1 ±2% | | | | | |
| POLARITY | PER SCHEMATIC | | | | | |
| OCL, TRANSMIT CHANNEL | 350 uH MIN. AT 100KHz, 0.1VRMS WITH 8mA DC BIAS | | | | | |
| INSERTION LOSS | 0.1–30 MHz | | 60 MHz | 80 MHz | 100 MHz | |
| | -0.6 dB MAX | | -1.1 dB MAX | -1.6 dB MAX | -2.5 dB MAX | |
| RETURN LOSS (Z OUT = 100 OHM ±15%) | 5 MHz | 30 MHz | 50 MHz | 60 MHz | 80 MHz | 100 MHz |
| | -18 dB MIN | -11 dB MIN | -8 dB MIN | -7 dB MIN | -4 dB MIN | -3 dB MIN |
| CROSSTALK (TX–RX) | 1 MHz | | 30 MHz | 60 MHz | 100 MHz | |
| | -45 dB MIN | | -30 dB MIN | -27 dB MIN | -25 dB MIN | |
| DIFFERENTIAL TO COMMON MODE REJECTION | 30 MHz | | 60 MHz | 100 MHz | 200 MHz | |
| | -36 dB MIN | | -32 dB MIN | -30 dB MIN | -25 dB MIN | |
| DC CORRENT/ VOLTAGE RATING | TOTAL 700 mA MAX @ 57 V (CONTINUOUS) 350 mA MAX/PAIR @ 57 V (CONTINUOUS) | | | | | |
| INPUT – OUTPUT ISOLATION | 3000 VRMS FOR 1 MINUTE | | | | | |

© Copyright, 2019. Pulse Electronics Corp. All rights reserved. Pulse confidential & proprietary. (06/05/19)

| PRODUCT DESCRIPTION | TLA DRAWING | PS DRAWING | SHEET | PART NO. | DATASHEET REV. |
|------------------------|--------------|----------------|--------|-----------|----------------|
| MDL,SIN,1GPP,1:1,SM,TU | HXU6200NL-11 | PS-01096.001-A | 2 OF 4 | HXU6200NL | J |



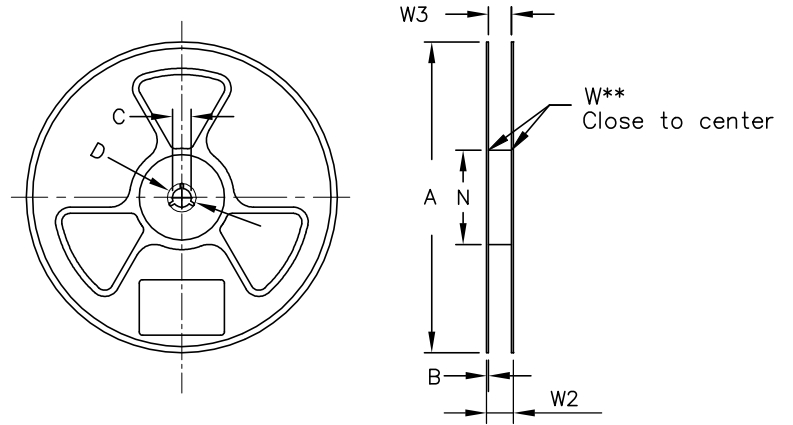
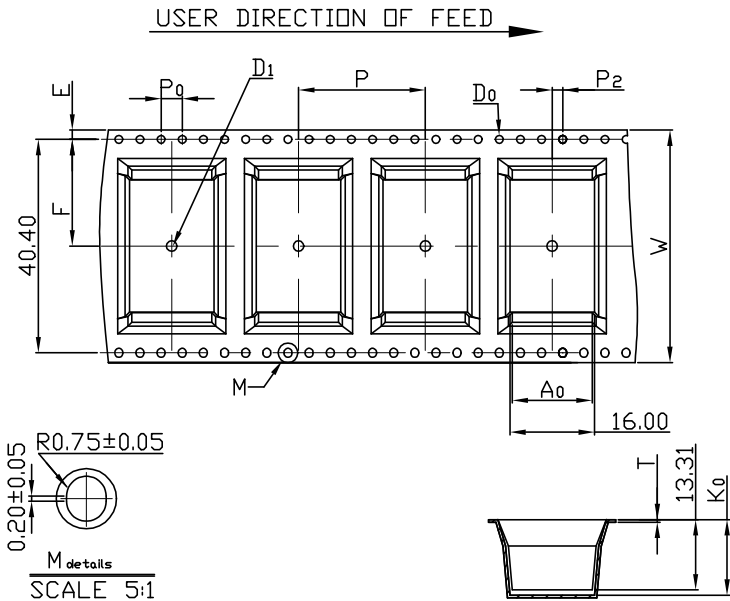
SUGGESTED PAD LAYOUT



DIMENSIONS ARE IN MM WITH THE FOLLOWING TOLERANCES:
 X.X= ±0.25
 X.XX= ±0.15

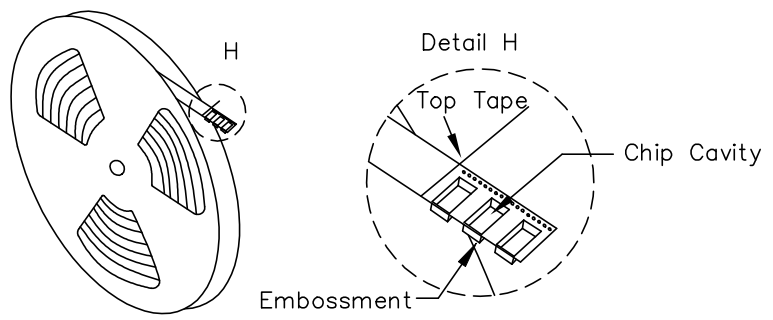
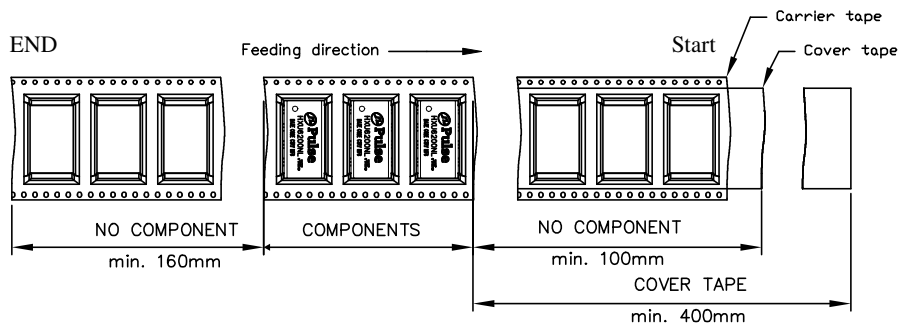
© Copyright, 2019. Pulse Electronics Corp. All rights reserved. Pulse confidential & proprietary. (06/05/19)

| PRODUCT DESCRIPTION | TLA DRAWING | PS DRAWING | SHEET | PART NO. | DATASHEET REV. |
|------------------------|--------------|----------------|--------|-----------|----------------|
| MDL,SIN,1GPP,1:1,SM,TU | HXU6200NL-11 | PS-01096.001-A | 3 OF 4 | HXU6200NL | J |



| | A | B | C | D | N | W1 | W2 | W3 | W3 |
|---------------|--------|------|-------|-------|--------|------|------|------|-------|
| Tolerance | | min. | ±0.8 | min. | min. | +2.0 | max. | min. | max. |
| Tape width mm | 330.00 | 1.50 | 13.00 | 20.20 | 100.00 | 44.4 | 50.4 | 44.8 | 46.78 |

| ITEM | W | A ₀ | B ₀ | K ₀ | K ₁ | P | F | E | D ₀ | D ₁ | P ₀ | P ₂ | T |
|------|------------|----------------|----------------|----------------|----------------|------------|------------|------------|----------------|----------------|----------------|----------------|------------|
| DIM | 44.0 ±0.30 | 15.13 ±0.10 | 28.85 ±0.10 | 4.31 ±0.10 | | 24.0 ±0.10 | 20.2 ±0.10 | 1.75 ±0.10 | 1.50 ±0.10 | 2.0 ±0.10 | 4.00 ±0.10 | 2.00 ±0.10 | 0.50 ±0.05 |



DIMENSIONS ARE IN MM WITH THE FOLLOWING TOLERANCES:
X.XX= ±0.10

© Copyright, 2019. Pulse Electronics Corp. All rights reserved. Pulse confidential & proprietary. (06/05/19)

| PRODUCT DESCRIPTION | TLA DRAWING | PS DRAWING | SHEET | PART NO. | DATASHEET REV. |
|------------------------|--------------|----------------|--------|-----------|----------------|
| MDL,SIN,1GPP,1:1,SM,TU | HXU6200NL-11 | PS-01096.001-A | 4 OF 4 | HXU6200NL | J |

单击下面可查看定价，库存，交付和生命周期等信息

[>>Pulse\(普思\)](#)