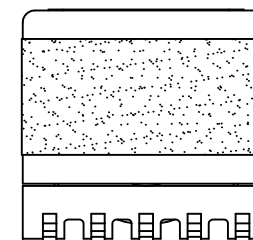
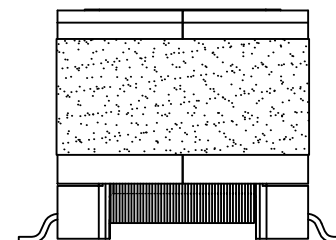
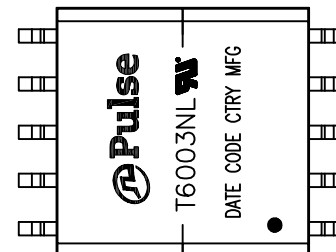


NOTES:

1. ROHS COMPLIANT
2. STORAGE TEMPERATURE: -20°C TO +125°C
3. COMPLIANCE TO J-STD:
 - A. J-STD-002: SOLDERABILITY AT 245°C REFLOW PROFILE
 - B. J-STD-020: LEVEL 1, NO MOISTURE SENSITIVE
 - C. J-STD-075: R7, 245°C MAXIMUM THROUGH REFLOW SOLDER
4. TO ORDER TAPE & REEL PACKAGING ADD A "T" SUFFIX TO THE PART NUMBER(i.e T6003NL BECOMES T6003NLT).

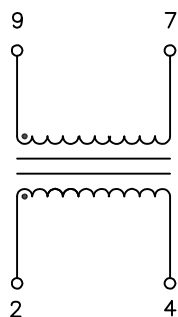


FINAL OUTLINE

© Copyright, 2016. Pulse Electronics Corp. All rights reserved. Pulse confidential & proprietary. (02/18/16)

PRODUCT DESCRIPTION	TLA DRAWING	PS DRAWING	SHEET	PART NO.	DATASHEET REV.
XFMR,SGL,AUD,EP13S,235C	T6003NL-12	PS-2279.001-A	1 OF 3	T6003NL	A

ELECTRICAL CHARACTERISTICS AT +25°C UNLESS OTHER SPECIFIED

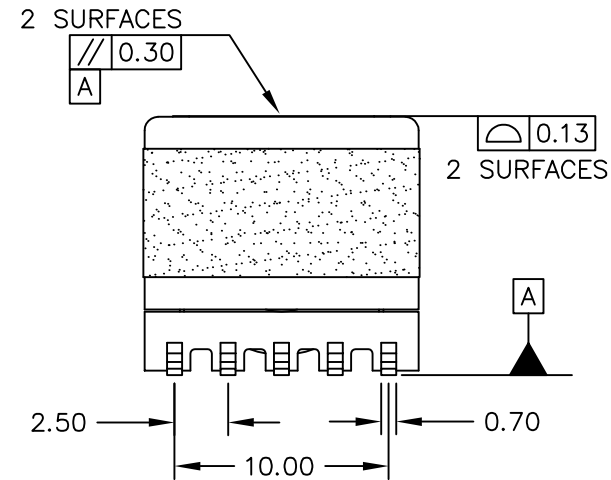
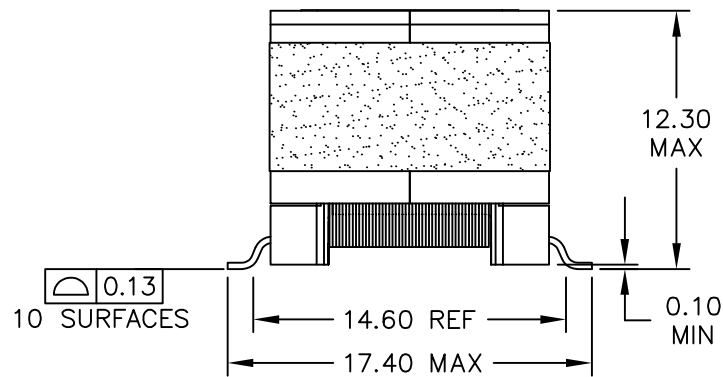
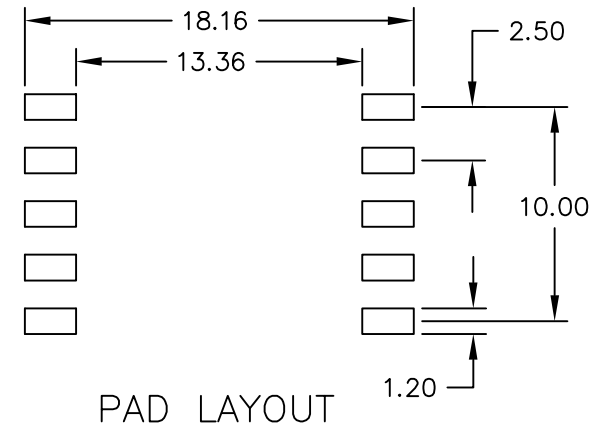
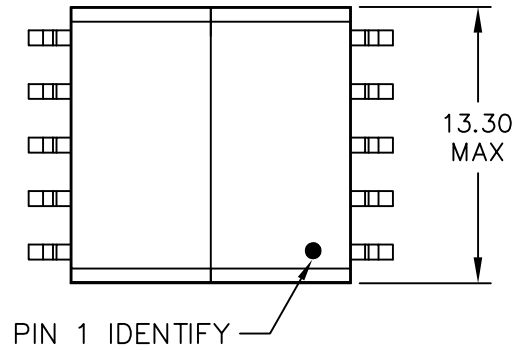


SCHEMATIC

PARAMETER	SPECIFICATIONS
OPERATING TEMPERATURE	0°C ~ 70°C
POLARITY	PER SCHEMATIC
TURNS RATIO @ 1 KHz, 1 VRMS	$\frac{(2-4)}{(9-7)} = 1.0 \pm 2\%$
INDUCTANCE (OCL) @ 200 Hz, 1 VRMS, .1 mADC	(2-4) = 1.5 H MINIMUM
DC RESISTANCE	(2-4) = 55 OHMS MAXIMUM (9-7) = 70 OHMS MAXIMUM
LEAKAGE INDUCTANCE @ 1 KHz, 1 VRMS	(2-4) WITH (9-7) SHORTED = 2 mH MAXIMUM
CWW @ 1 KHz, 1 VRMS	(2-4) TO (9-7) = 30 pF MAXIMUM.
HIPOT	(2,4) TO (7,9) = 1500 VRMS FOR 1 MINUTE, OR 1650 VRMS FOR 6 SECONDS

© Copyright, 2016. Pulse Electronics Corp. All rights reserved. Pulse confidential & proprietary. (02/18/16)

PRODUCT DESCRIPTION	TLA DRAWING	PS DRAWING	SHEET	PART NO.	DATASHEET REV.
XFMR,SGL,AUD,EP13S,235C	T6003NL-12	PS-2279.001-A	2 OF 3	T6003NL	A



DIMENSIONS ARE IN MM WITH THE FOLLOWING
TOLERANCES: ± 0.10

© Copyright, 2016. Pulse Electronics Corp. All rights reserved. Pulse confidential & proprietary. (02/18/16)

PRODUCT DESCRIPTION	TLA DRAWING	PS DRAWING	SHEET	PART NO.	DATASHEET REV.
XFMR,SGL,AUD,EP13S,235C	T6003NL-12	PS-2279.001-A	3 OF 3	T6003NL	A

单击下面可查看定价，库存，交付和生命周期等信息

[>>Pulse\(普思\)](#)