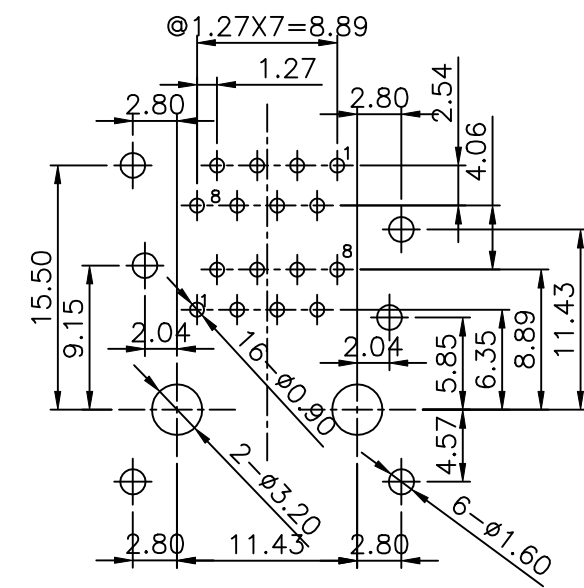
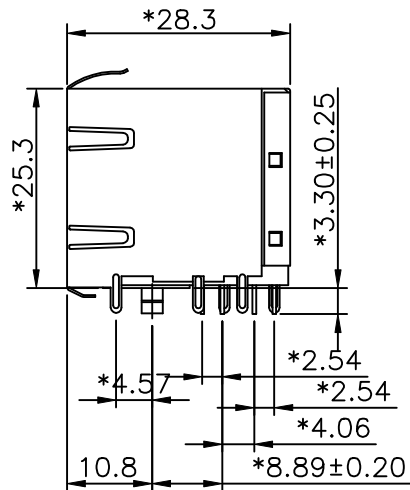
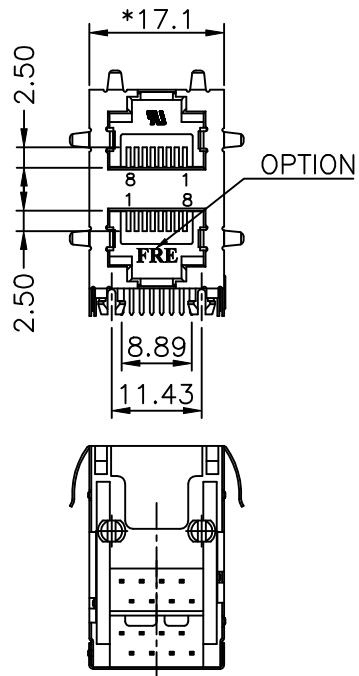


REVISION RECORD				
REV	ECO	DESCRIPTION	DRFT	CHKD



PC Board Thickness=1.60mm  
PC Board Layout Component Side Shown

**NOTES:**

ELECTRICAL:

- 1. VOLTAGE RATING : 125 VAC RMS.
- 2. CURRENT RATING : 1.5 AMP.
- 3. CONTACT RESISTANCE : 50 MILLIOHMS MAX.
- 4. INSULATION RESISTANCE: 1000 MEGOHMS MIN @ 500 VDC.
- 5. DIELECTRIC STRENGTH : 1000 VAC RMS 60Hz, 1MIN.

MECHANICAL:

- 1. HOUSING MATERIAL : PBT+30%.G.F UL94V-0.
- 2. HOUSING COLOUR : BLACK.
- 3. CONTACT MATERIAL : PHOSPHOR BRONZE t=0.35mm.
- 4. PLATING : GOLD PLATING OVER NICKEL.
- 5. OPERATING LIFE : 750 CYCLES MIN.
- 6. PCB RETENTION PRE-SOLDER : 1 LB MIN.
- 7. PCB RETENTION POST-SOLDER: 10 LBS MIN.

ENVIRONMENTAL:

- 1. STORAGE : -40°C TO +85°C.
- 2. OPERATION: -0°C TO +70°C.
- 3. WAVE SOLDERING TEMPERATURE: 230°C ~250°C (5~10 SECONDS).

MATES WITH MODULAR PLUG CONFORMING TO  
FCC PART 68, SUBPART F.

CUL FILE NO. E163191

ROHS PART NUMBER: E5908-XX014X-L

- 1-W/O TABS
- 2-W/ TOP TABS
- 3-W/ SIDE TABS
- 4-W/ TOP&SIDE TABS
- 5-W/ TOP&BOTTOM&SIDE TABS
- 1- 3u" 2- 6u" 3-15u"
- 4- 30u" 5- 50u"
- T-TIN
- V-NICKEL
- J- W/NICKEL PLATED WITH TINNED GROUNDING PEG

DETACHED LISTS	MM (INCH)	DFTO JAMY	DATE 10/15/05	FULL RISE ELECTRONIC CO., LTD	
	TOLERANCES EXCEPT AS NOTED	CHKD JWE	DATE 2006/10/17		
	MM	MFO	DATE	TITLE STAMPED PIN III W/ SHIELD JACK, 2X1	
.0 ±0.2	APPV Lusewo	DATE 2006/10/17	MATERIAL :	DRAWING NO. GE593B76-LC	SIZE A3
.00 ±0.15	MATERIAL :		FINISH :	/PART NO. SEE NOTE	REV 0
.000 ±0.075	MATERIAL :		SCALE : 1.5 : 1	DO NOT SCALE DRAWING	SHEET 1 OF 1
ANGLES ± 0.5	MATERIAL :		THIRD ANGLE PROJECTION		

单击下面可查看定价，库存，交付和生命周期等信息

[>>Pulse\(普思\)](#)