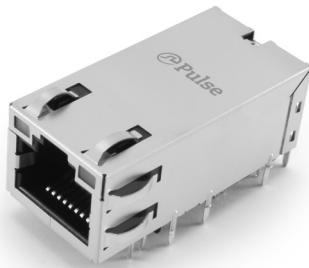


# 10G PulseJack™ Integrated Connectors

Rugged design for industrial and outdoor use



- Ⓢ Fully compliant to IEEE802.3.an for 10GBase-T
- Ⓢ Compatible with market leading PHYs
- Ⓢ Designed to exceed IEEE802.3.bt with up to 140W
- Ⓢ PoE over 100m of UTP
- Ⓢ Rugged design for outdoor and industrial use
- Ⓢ Ideal for 5G and LTE small cell and Mini Base Stations as well as high speed Video and file Servers for industrial use.

## Electrical Specifications @ 25°C - Operating Temperature -40°C to 85°C

| Part Number   | Inductance     | Turns Ratio | LED Configuration (L/R)   | Isolation (Pri:Sec) | IC Design Style | Power over Ethernet (PoE) |                              |
|---------------|----------------|-------------|---------------------------|---------------------|-----------------|---------------------------|------------------------------|
|               |                |             |                           |                     |                 | DC Current (@ 70°C)       | Power Supported (4 pair UTP) |
| JXT7-1123NL * | 120uH @ 8mA    | 1.00 +/- 2% | None                      | 2250VDC / 60sec     | 4 Channel       | N/A                       | N/A                          |
| JXT7-1131NL * | 120uH @ 18.3mA | 1.00 +/- 2% | Yellow-Green/Green        | 2250VDC / 60sec     | 5 Channel       | 900mA                     | 100W (PSE/PD)                |
| JXT7-1139NL** | 120uH @ 19.5mA | 1.00 +/- 2% | Yellow-Green/Green        | 2250VDC / 60sec     | 4 Channel       | 1.3 Amp                   | 140W (PSE/PD)                |
| JXT7-1140NL** | 120uH @ 18.3mA | 1.00 +/- 2% | Yellow-Green/Yellow-Green | 2250VDC / 60sec     | 4 Channel       | 1.0 Amp                   | 100W (PSE/PD)                |

### Notes:

\* Design for Marvell 10G Phy 88X3310, \*\*4 channel design for Broadcom 10G Phy BCM84xxx

| Part Number | Insertion Loss (MAX) |        |        | Return Loss (MIN) |         |         | CMRR    |             |              |
|-------------|----------------------|--------|--------|-------------------|---------|---------|---------|-------------|--------------|
|             | 100kHz               | 100MHz | 400MHz | 1-100MHz          | 250MHz  | 500MHz  | 1-40MHz | 40 - 100MHz | 100 - 500MHz |
| JXT7-1123NL | -3.0dB               | -2.0dB | -2.0dB | -22dB             | -13.7dB | -7.50dB | -30dB   | -28dB       | -26dB        |
| JXT7-1131NL | -3.0dB               | -2.0dB | -2.0dB | -22dB             | -13.7dB | -7.50dB | -30dB   | -28dB       | -26dB        |
| JXT7-1139NL | -3.0dB               | -2.0dB | -2.0dB | -22dB             | -13.7dB | -5dB    | -30dB   | -28dB       | -26dB        |
| JXT7-1140NL | -3.0dB               | -2.0dB | -2.0dB | -22dB             | -13.7dB | -10dB   | -30dB   | -28dB       | -26dB        |

### Notes:

1. ROHS Compliant:
2. Plastic housing: thermoplastic material with flammability rating UL 94V-0 or better
3. Contacts plating: 50 micro-inch gold plating
4. Contacts base material: Phosphor bronze
5. Under plating: 50u inches min nickel
6. Solder Tail Plating: 200-500u inches 100% tin, matte finish
7. Metal shield nickel plating on copper alloy
8. Jack cavity conforms to FCC part 68 subpart
9. PCB plating: HASL
10. Storage temperature: -20°C to 125°C
11. Compliance to J-STD:
  - A. J-STD-002: solderability at 245°C DIP and LOOK test
  - B. J-STD-020: level 1, no moisture sensitive
  - C. J-STD-075: W2, 270°C maximum through wave solder
12. The NL suffix part comes in trays with 50pcs/tray.

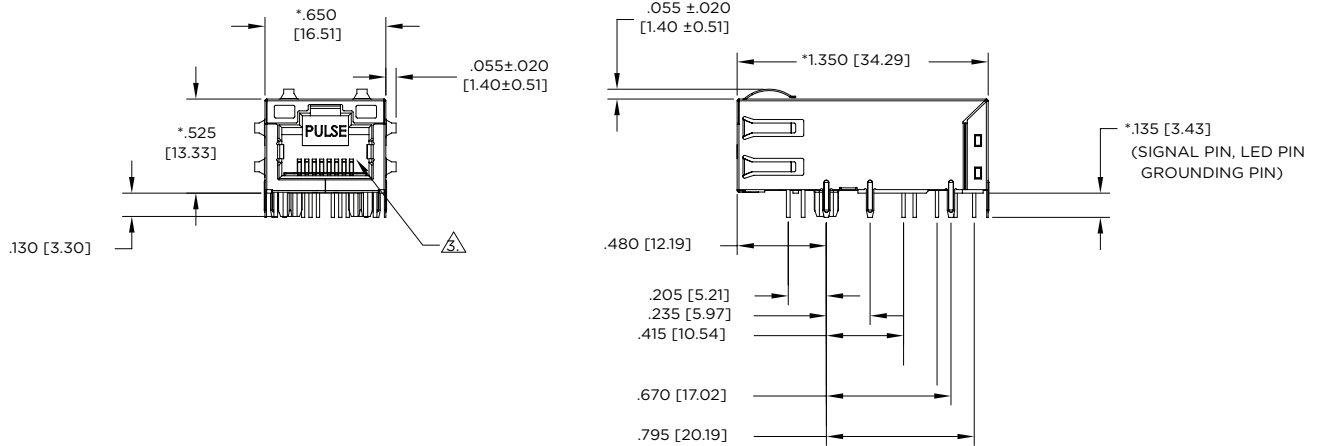
# 10G PulseJack™ Integrated Connectors

Rugged design for industrial and outdoor use



## Mechanical

### JXT7-11XXNL

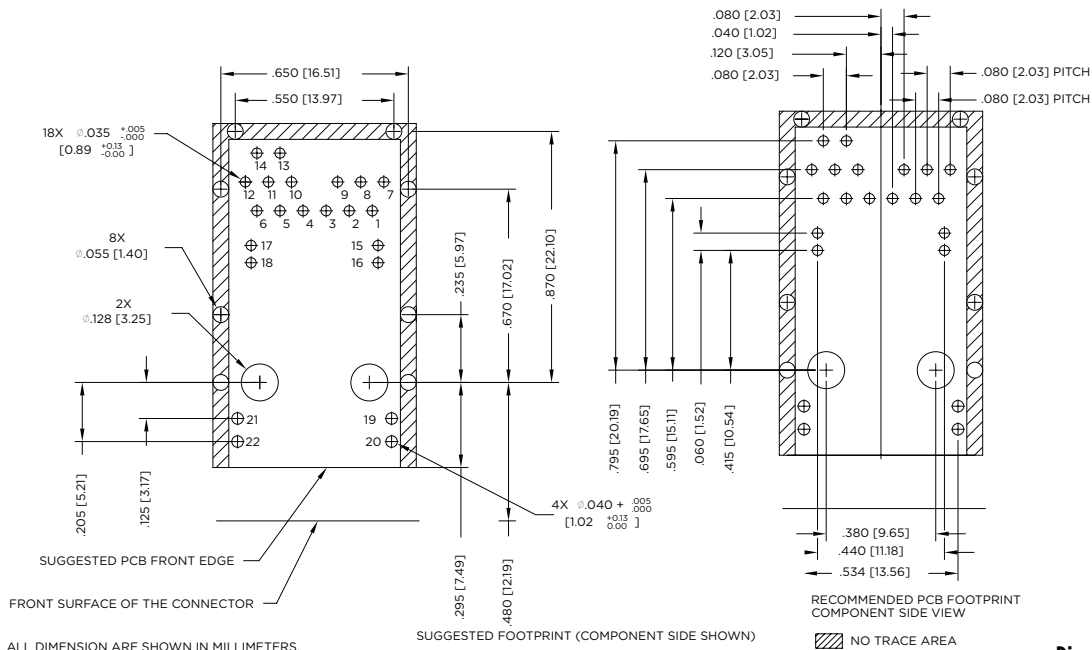


Dimensions:  $\frac{\text{Inches}}{\text{mm}}$

Unless otherwise specified, all tolerances are  $\pm \frac{0.10}{0.25}$

## Recommended Footprint

### JXT7-11XXNL



ALL DIMENSIONS ARE SHOWN IN MILLIMETERS. DIMENSIONS SHOWN IN BRACKETS ARE INCHES. UNLESS OTHERWISE SPECIFIED, THE FOLLOWING TOLERANCES APPLY:

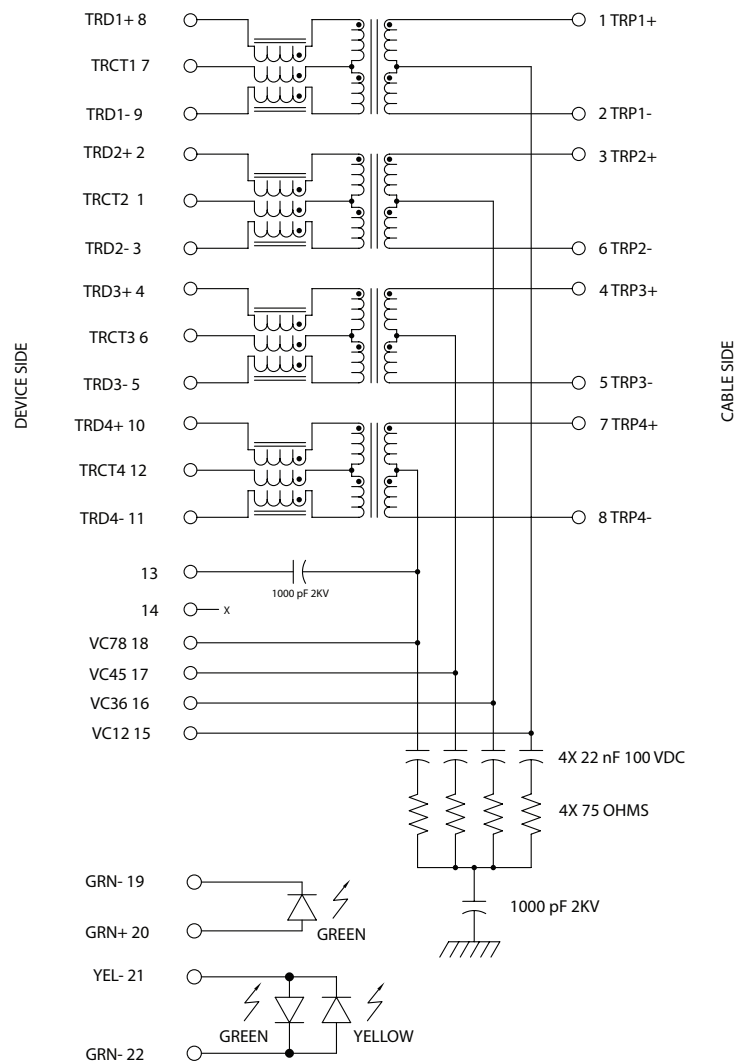
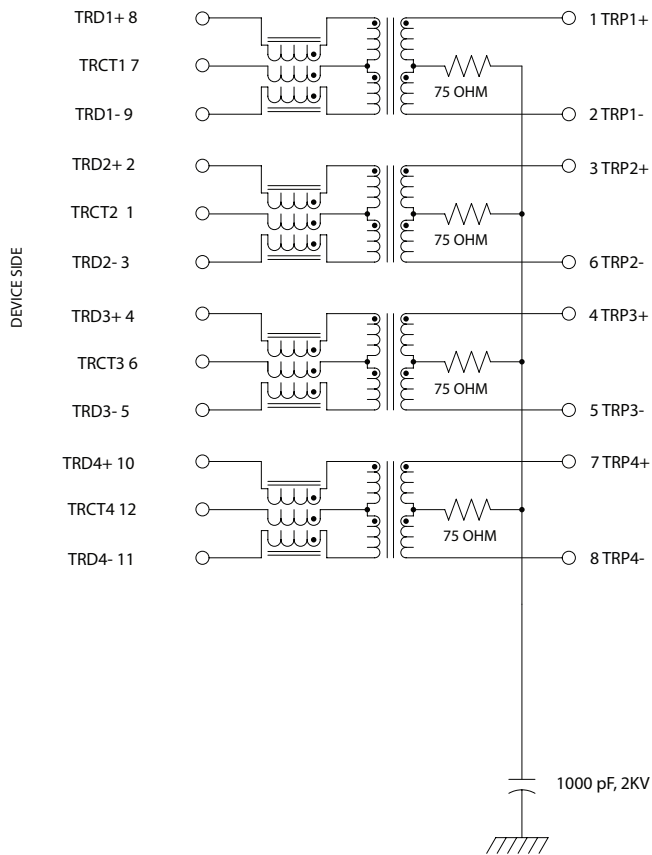
Dimensions:  $\frac{\text{Inches}}{\text{mm}}$

Unless otherwise specified, all tolerances are  $\pm \frac{0.10}{0.25}$

## Schematics

### JXT7-1123NL

### JXT7-1131NL

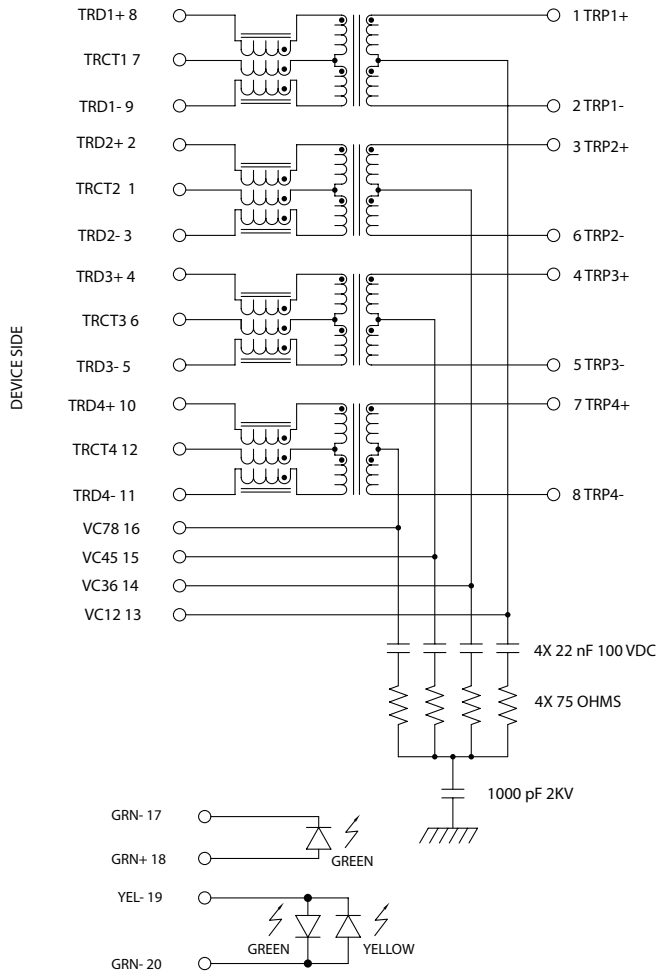


# 10G PulseJack™ Integrated Connectors

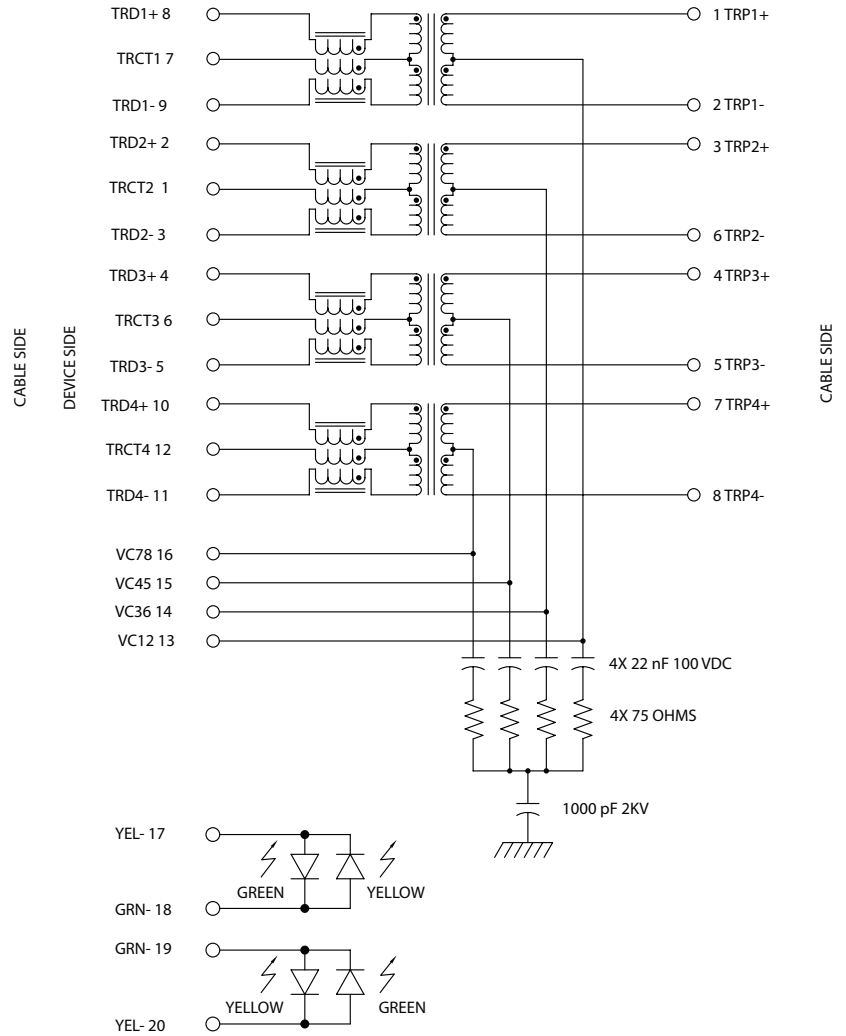
Rugged design for industrial and outdoor use

## Schematics

### JXT7-1139NL



### JXT7-1140NL



### For More Information:

Americas - [prodinfo\\_network\\_americas@pulseelectronics.com](mailto:prodinfo_network_americas@pulseelectronics.com) | Europe - [prodinfo\\_network\\_emea@pulseelectronics.com](mailto:prodinfo_network_emea@pulseelectronics.com) | Asia - [prodinfo\\_network\\_asia@pulseelectronics.com](mailto:prodinfo_network_asia@pulseelectronics.com)

Performance warranty of products offered on this data sheet is limited to the parameters specified. Data is subject to change without notice. Other brand and product names mentioned herein may be trademarks or registered trademarks of their respective owners. © Copyright, 2021. Pulse Electronics, Inc. All rights reserved.

单击下面可查看定价，库存，交付和生命周期等信息

[>>Pulse\(普思\)](#)